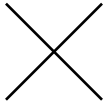


GO HYDRO



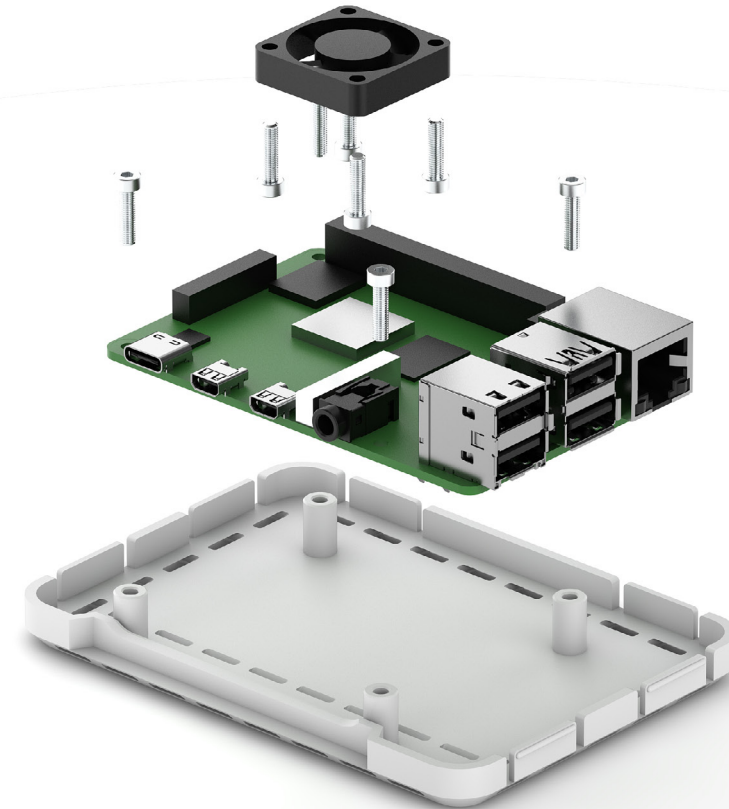
**NI\***

# GO HYDRO COMMUNICATION UNIT UPDATES

COMMUNICATION UNIT  
**CONCEPT 03**

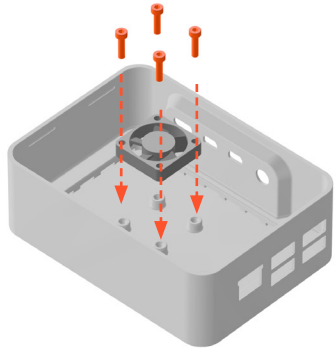


# CONCEPT 03 COMPONENTS ASSEMBLY

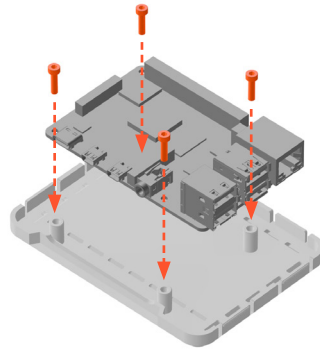


# CONCEPT 03

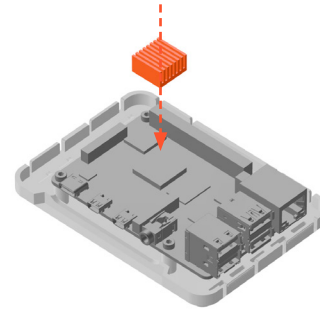
## COMPONENTS ASSEMBLY



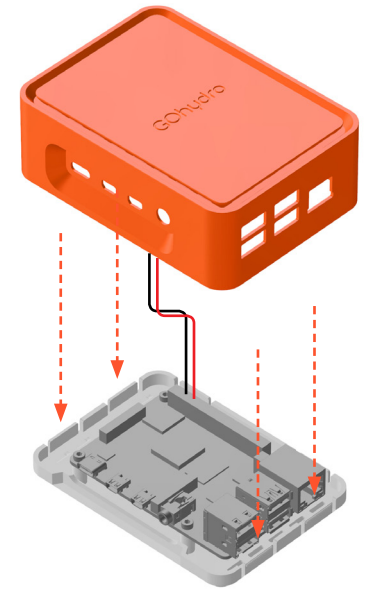
**Step 1:**  
Install the fan on the upper housing  
with screws



**Step 2:**  
Place and install the Raspberry Pi  
board on the bottom plate



**Step 3:**  
Install the heatsink (optional)

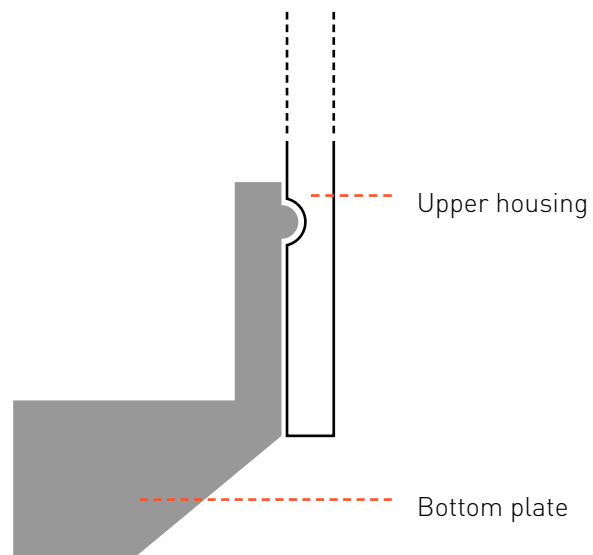


**Step 4:**  
Wire the fan and close  
the housing

## CONCEPT 03

# COMPONENTS ASSEMBLY

Simple click mechanism is used to close the upper housing and the bottom plate. The structure is therefore simpler for printing avoiding to thin and fragile edges and also makes the housing easier to be opened for maintenance ( replacing SD card or fan e.g.).



section view

