

Lithium ferro phosphate battery state of charge estimation using particle filter

Noor Iswaniza Md Siam¹, Tole Sutikno², Mohd Junaidi Abdul Aziz³

^{1,3}School of Electrical Engineering, Universiti Teknologi Malaysia, Johor, Malaysia

²Department of Electrical Engineering, Universitas Ahmad Dahlan, Yogyakarta, Indonesia

Article Info

Article history:

Received Jun 25, 2020

Revised Mar 26, 2021

Accepted Apr 9, 2021

Keywords:

Battery management system

Current discharge test

Particle Filter

Pulse discharge test

State of charge

ABSTRACT

Lithium ferro phosphate (LiFePO₄) has a promising battery technology with high charging/discharging behaviours make it suitable for electric vehicles (EVs) application. Battery state of charge (SOC) is a vital indicator in the battery management system (BMS) that monitors the charging and discharging operation of a battery pack. This paper proposes an electric circuit model for LiFePO₄ battery by using particle filter (PF) method to determine the SOC estimation of batteries precisely. The LiFePO₄ battery modelling is carried out using MATLAB software. Constant discharge test (CDT) is performed to measure the usable capacity of the battery and pulse discharge test (PDT) is used to determine the battery model parameters. Three parallel RC battery models have been chosen for this study to achieve high accuracy. The proposed PF implements recursive bayesian filter by Monte Carlo sampling which is robust for non-linear and/or non-Gaussian distributions. The accuracy of the developed electrical battery model is compared with experimental data for verification purpose. Then, the performance of the model is compared with experimental data and extended Kalman filter (EKF) method for validation purposed. A superior battery SOC estimator with higher accuracy compared to EKF method has been obtained.

This is an open access article under the [CC BY-SA](https://creativecommons.org/licenses/by-sa/4.0/) license.



Corresponding Author:

Mohd Junaidi Abdul Aziz

Departement of Electrical Power Engineering, Faculty of Engineering

Universiti Teknologi Malaysia, 81300 Skudai, Johor, Malaysia

Email: iswaniza@graduate.utm.my

1. INTRODUCTION

Burning of fossil fuels causes environmental problem such as global warming, acid rain and urban population [1]-[3]. By energy conversion, the resource of energy such as fossil fuel (coal, oil and natural gases) and nuclear can be extended to many years from getting totally exhausted [4], and this challenge can be tackled by the deployment of emission control systems. The transformation of energy technology, for example, electric vehicle (EV) and hybrid electric vehicle (HEV) are one of the efforts for improvement of traffic and healthier environment. Batteries technologies are the best choice and popular renewable energy than kinetic energy in flywheels, high capacity capacitors and high pressure compressed air [5] in term of higher efficiency, safe and recyclable. LiFePO₄ battery is popular in EV applications for storage of energy which can deliver higher capacity over longer time since it is environment-friendly to the users [6], [7]. Therefore, an accurate battery model is crucial to simulate the charging and discharging characteristic and detailed analysis. Furthermore, battery management system (BMS) can estimate all parameters accurately such as state of charge (SOC) and runtime in order to optimize the performance of battery.

SOC is defined as the percentage of the remaining capacity that is present inside of battery [8]. SOC cannot be measured directly in a battery and there are several methods to determine the SOC of battery. Particle filter (PF) is one of the methods that has been used for estimation of SOC with an improved degree of accuracy. PF is an iterative implementation of the Monte Carlo based on statistical signal processing application [9]-[11]. Figure 1 shows the basic idea of PF, as introduced by Gordon [11]-[13], which shows relationship between posterior probability density function (PDF) and the number of samples which is particles [14], [15]. PF method gained popularity in the mid-1990s due to technology development and this method was used for nonlinear state estimation. The researcher's development in PF over recent years with successfully applications such as model of statistics, learning of machine, processing of signal, econometrics, computer graphics, automation, communications, and others [16]-[18].

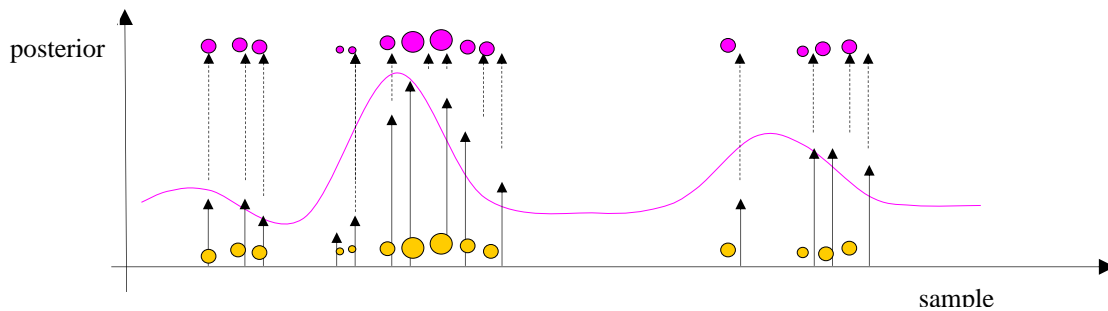


Figure 1. Basic idea of PF

In [19], the paper proposed PF method to estimate the state of vector with three degree of freedom (DOF) industrial robot by the measurement of fusion obtained from sensor. PF is more convenient for highly nonlinear systems and non-Gaussian noise system where EKF method does not work well on these systems. Besides, marker-less tracking is technology broadly used in robot control method. The paper [20] introduces a marker-less human-robot interface using PF and Kalman filter (KF) methods. It was used for dual robot to track the human movement by a sensor. KF and PF are broadly used in robotics and control systems to integrate the robot orientation and position.

A new kinematic calibration method based on the extended Kalman filter (EKF) and PF algorithm is presented in [21] to improve the robot position. The priori value is being provided by EKF algorithm and PF algorithm was used to successfully calibrate the parameter of robotic kinematic. In [22], the authors present a method for SOC estimation of LiFePO_4 batteries at dynamic current and temperatures using PF, whereas Thevenin model is proposed in this paper [23] to modelling of NMC cell for different aging levels and operating states. The double particle filter (D-PF) and double adaptive particle filter (D-APF) are developed for online parameters and SOC estimation of lithium-ion batteries to reduce computational cost and improve the accuracy of the SOC estimation [24].

In this paper, PF is applied to the electrical circuit model of LiFePO_4 cell to estimate the lithium cell SOC. The research methodology and procedure to estimate the SOC by the PF method are discussed in detail in Section 2. Then, the method is verified by comparison and analysis of simulation results with experimental data of dynamic behaviors of lithium cell in Section 3. In this section, the performance of the model is not only compared with real experimental data but also to the same electrical circuit model using the EKF method for validation purposes. Finally, the conclusion is presented in Section 4.

2. RESEARCH METHOD

The 3.2V of 18Ah LiFePO_4 lithium cell is used for the battery modelling in this research and the detailed specifications of the battery are shown in Table 1 [26]. The work process is shown in Figure 2. Pulse discharge test (PDT) and random test are performed to investigate the LiFePO_4 battery dynamic characteristics in this research. The measurement of voltage and current from the test is collected and stored in data acquisition system (DAQ) model NI9219. Next, the PF is developed for battery model and experimental data was obtained from the battery test will to simulate and analyse the PF performance by MATLAB simulation tool.

2.1. Battery test procedure

Figure 3 shows experimental assembly for test procedure. A 120V programmable electronic load device model IT8514C from ITECH with specification of 240 A and 1200 W, is used to act as constant current load in order to discharge the LiFePO₄ battery; and a DC power supply model EA-PSI 8200-70R from Elektro-Automatik, capable of delivering 70A load with rating of 200 V and 5000 W, is used to charge the LiFePO₄ battery. The ambient temperature of the battery test was monitored by environment chamber which is JH-KE. The experimental results obtained from the battery test are collect and stored by National Instrument DAQ model NI9219. NI9219 is interfaced with LabVIEW software to gather the data from battery test. The experimental data was saved and stored in excel file to easily simulate and analyses the process using MATLAB software.

Table 1. Specification of LiFePO₄ battery

Characteristics	Rechargeable Lithium Ferro Phosphate (LiFePO ₄) Prismatic Battery
Dimension	18mm x 182mm x 95mm
Nominal voltage (V)	3.2V
Capacity	Min. 18Ah at 9A (0.5C) discharge to 2.0V at 20°C
Charging Method	9A (0.5C) to 3.65V for 2.5hrs at 20°C
Charging Termination Control	Taper Current 0.05C (0.9A) at 3.65V
Operating Temperature (°C)	Charge: 0 °C to 60 °C Discharge: -30 °C to 70 °C Storage: -20 °C to 45 °C
Internal Resistance (mΩ)	< 2 mΩ
Maximum Discharge Current (A)	180A (10C)
Cycle life	> 1000 cycle
Weight (kg)	~0.62kg

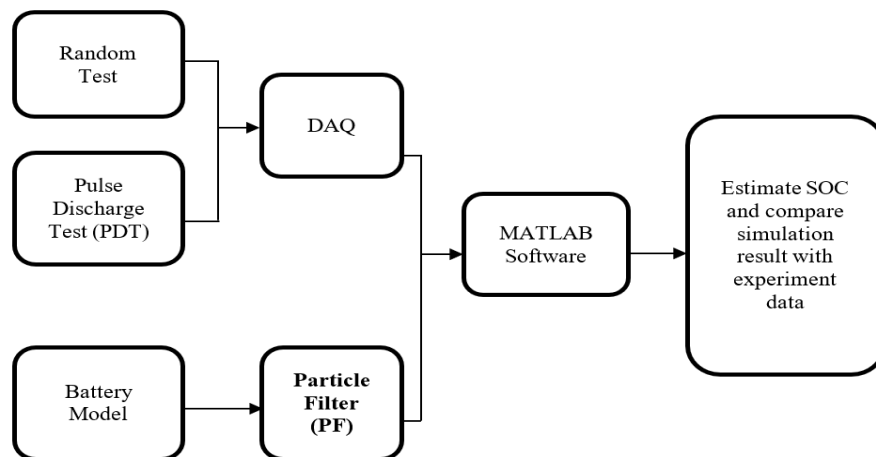


Figure 2. Flow Chart for the estimation SOC using PF

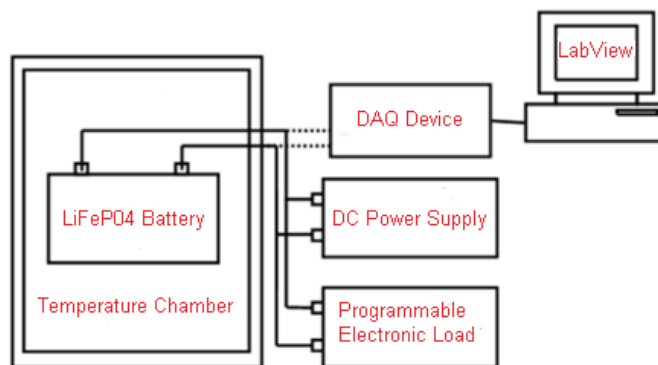


Figure 3. Experiment and battery test procedure

2.2. Experimental result

Two tests were performed on the LiFePO₄ battery to determine the performance of PF, which is PDT and random test. Figure 4 and Figure 5 represent the experimental measurement of current and voltage. PDT is conducted, which consists of a sequence of constant discharge current and rest duration as illustrated in Figure 3. The battery is discharged by 9A load current with a period time of 26980 seconds and six cycles of pulses for PDT. The battery’s charge and discharge are shown in Figure 4, which is called a random test. The duration for the random test is 10320 seconds with 12 cycles of charging/discharging pulses.

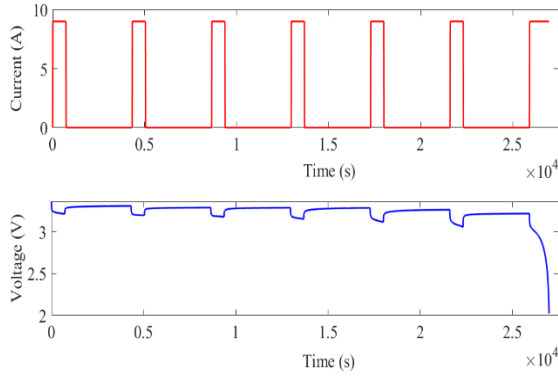


Figure 4. Profile of current and voltage for PDT (9A)

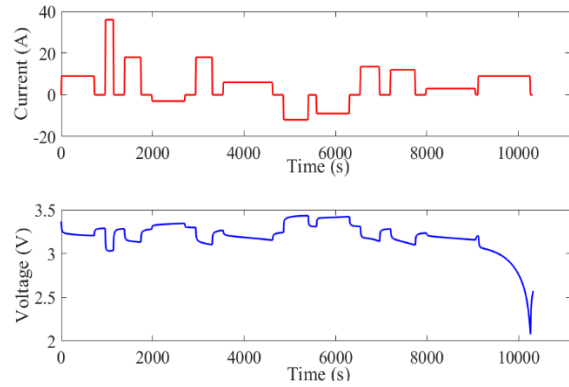


Figure 5. Profile of current and voltage for random test

2.3. Battery modelling

Figure 6 illustrates the model which was chosen in this research, as proposed by authors in [25]-[28]. The parameter of usable capacity ($C_{capacity}$), open-circuit voltage (OCV), and response of transient (three RC network with series resistance) are important parameters for dynamic characteristics of battery model.

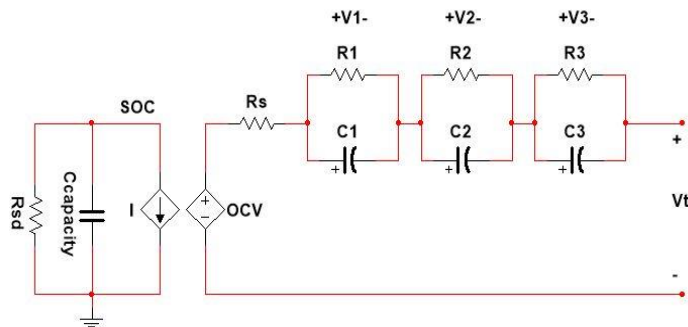


Figure 6. Three RC battery model with dynamic characteristic

The usable capacity is the extracted energy from the battery which presumes a battery is discharged from same charge state until the equal end-of-discharge voltage [26]. The usable capacity is determined from experimental result of constant discharge test (CDT) which is performed to measure the battery’s capacity in a specified state. Figure 7 shows the experimental result for 9A CDT test and the equation of usable capacity expressed as (1) where the equation gets from the curve fitting tool by MATLAB software. The usable capacity (CN), can be expressed as:

$$CN = 4.559exp^{-0.4932 \times I_L} + 13.44exp^{-0.001729 \times I_L} \tag{1}$$

OCV-SOC relationship is crucial for battery modeling since it represents the terminal voltage level in three parallel RC battery model. The battery’s OCV-SOC relationship is shown in Figure 8, which is an

important parameter in nonlinear relations where the value of OCV is directly dependent on the value of SOC [29], [30]. OCV for a certain SOC can be identified based on PDT when the battery is at rest condition until it reaches a new equilibrium state shown in Figure 8 [31]. A fifth-order polynomial equation can be formulated by using curve fitting tool in MATLAB to represent the OCV- SOC relationship as expressed in (3). Thus, the parameters can be determined by transient voltage response for discharge and rest, as illustrated in Figure 9, where the terminal voltage of the battery is derived as (4). Finally, the battery parameters that have been extracted from (4) are tabulated in Table 2.

$$SoC(t) = SoC(0) - \frac{1}{CN \times 3600} \int I_L(t) \quad (2)$$

$$OCV(SoC) = (4.513 \times 10^{-10})SoC^5 - (1.295 \times 10^{-7})SoC^4 + (1.505 \times 10^{-5})SoC^3 - 0.0008927SoC^2 + 0.02764SoC + 2.918 \quad (3)$$

$$V(t) = OCV - V_{RC1}(t) - V_{RC2}(t) - V_{RC3}(t) - I_L \times R_s(t) \quad (4)$$

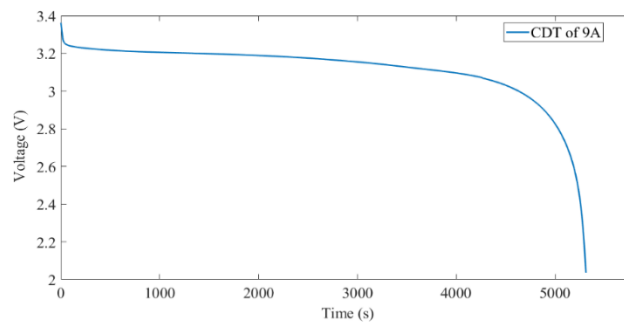


Figure 7. Experimental result for 9A CDT test

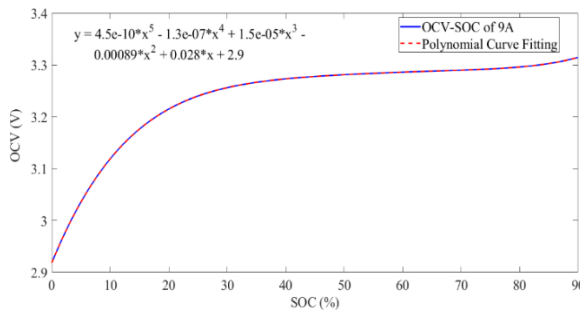


Figure 8. OCV-SOC relationship

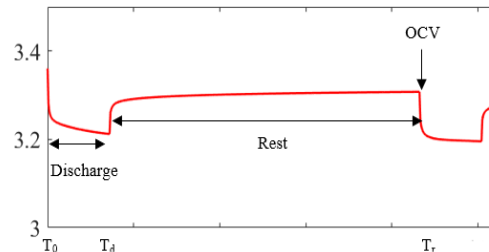


Figure 9. Transient voltage response for PDT

Table 2. Battery model parameters based extracted from CDT and PDT tests

Battery Parameters		
R1=0.0238 Ω	C1=171.6878 Farad	RS=68.896 μΩ
R2=0.0173 Ω	C2=4583.3 Farad	
R3=0.0165 Ω	C2=46879 Farad	

2.4. Particle filter (PF) algorithm

PF algorithm is applied in this research to achieve high accuracy of the OCV estimation. This value is used to determine SOC by utilizing SOC-OCV relationship curve as shown in Figure 7. The relation between SOC and OCV varies based on the type of battery and it is usually given by the manufacturer. The Recursive Bayesian estimation and importance sampling (IS), which is the general methods or technique for estimate properties of a particular distribution are used in PF algorithm as basic framework.

In this research, Monte Carlo is implemented based on IS to remove the particle from the posterior probability density (PDF) and weights of each particle. After that, the particles are filtered and updated

according to their pdf and weight. The OCV estimation can be computed based on pdf and weight of the updated particles. PF is not restricted by the assumption of linear model and Gaussian noise at the same time compared Kalman filter (KF) algorithm. As a result, PF become a popular method to solve the nonlinear and non-Gaussian state estimation problem [22]. The PF algorithm is explained in detailed in this section [32].

(a) Initialization $k=0$.

Generate initial particles within minimum voltage and maximum voltage with a uniform probability.

Suppose the number of particles is N , the variance of measurement noise is v_k and the variance of process noise is w_k . These particles are denoted by X_0^i ($i = 1, 2, \dots, N$) for SOC.

(b) Prediction.

Generate N particle, last sampled particle X_{k-1}^i and get output estimation Y_k^i according to (5) and (6):

$$\begin{cases} x_{k+1} = Ax_k + Bu_k + w_k \\ y_k = Cx_k + Du_k + v_k \end{cases} \quad (5)$$

$$\begin{cases} \begin{bmatrix} \text{SoC}_{k+1} \\ V_{\text{RC1}_{k+1}} \\ V_{\text{RC2}_{k+1}} \\ V_{\text{RC3}_{k+1}} \end{bmatrix} = A_k \times \begin{bmatrix} \text{SoC}_k \\ V_{\text{RC1}_k} \\ V_{\text{RC2}_k} \\ V_{\text{RC3}_k} \end{bmatrix} + B_k \times I_{L_k} + w_k \\ V_{t,k} = \text{OCV} - V_{\text{RC1}_k} - V_{\text{RC2}_k} - V_{\text{RC3}_k} - I_{L_k} \times R_s + v_k \end{cases} \quad (6)$$

Where,

$$\hat{A}_k = \left. \frac{\partial f(\text{SoC}_k, V_{\text{RC1}}, V_{\text{RC2}}, V_{\text{RC3}})}{\partial \text{SoC}_k} \right|_{\text{SoC}_k = \widehat{\text{SoC}}_k} \quad (7)$$

$$\hat{A}_k = \begin{bmatrix} 1 & 0 & 0 & 0 \\ 0 & 1 - \frac{dt}{R_1 C_1} & 0 & 0 \\ 0 & 0 & 1 - \frac{dt}{R_2 C_2} & 0 \\ 0 & 0 & 0 & 1 - \frac{dt}{R_3 C_3} \end{bmatrix} \quad (8)$$

$$B_k = \begin{bmatrix} -dt \\ \text{CN} \times 3600 \\ \frac{dt}{C_1} \\ \frac{dt}{C_2} \\ \frac{dt}{C_3} \end{bmatrix} \quad (9)$$

$$C_k = \left[\left. \frac{\partial g(\text{SoC}_k, V_{\text{RC1}}, V_{\text{RC2}}, V_{\text{RC3}})}{\partial \text{SoC}_k} \right|_{\text{SoC}_k = \widehat{\text{SoC}}_k} \quad -1 \quad -1 \quad -1 \right] \quad (10)$$

$$\frac{\partial(\text{OCV})}{\partial(\text{SoC})} = 5 \times (4.513 \times 10^{-10}) \text{SoC}^4 - 4 \times (1.295 \times 10^{-7}) \text{SoC}^3 + 3 \times (1.505 \times 10^{-5}) \text{SoC}^2 - 2 \times 0.0008927 \text{SoC} + 0.02764 \quad (11)$$

$$D_k = R_s \quad (12)$$

(c) Evaluate importance weight

Calculate the maximum q_i of the particles X_k^i according to the measurement y_k represented as (6):

$$q_i = p(y_k | X_k^i) = \frac{1}{\sqrt{2\pi R}} e^{-\frac{(y_k - y_k^i)^2}{2R}} \quad (13)$$

Normalized the importance weight as follow $q_i = q_i / \sum_{j=1}^N q_j$

(d) Resampling

Generate a set of posterior particles X_k^i based on their weights q_i by multinomial resampling method, $i=1, 2, \dots, N$

(e) Output

The state variables (OCV) after completion of the algorithm are obtained by $X_k = \sum_i^N q_i X_k^i$. Take X_k^i into OCV-SOC curve to obtain $SOC_{V,k}$

3. RESULTS AND DISCUSSION

The experimental result and the estimation of SOC from PF algorithm are presented and discussed in this section. The outcome for this research is presented in two different parts: i) PDT, and ii) random test. The initial SOC(x_0), error covariance measurement update (P), process noise (w_k) and sensor noise (v_k) are assumed in (14) to (17). The initial SOC is set to 90% for PF method for analysis.

$$x_0 = [90 \ 0 \ 0 \ 0]^T \quad (14)$$

$$P = \begin{bmatrix} 19000 & 0 & 0 & 0 \\ 0 & 10 & 0 & 0 \\ 0 & 0 & 10 & 0 \\ 0 & 0 & 0 & 10 \end{bmatrix} \quad (15)$$

$$w_k = \begin{bmatrix} 0.1 & 0 & 0 & 0 \\ 0 & 0.01 & 0 & 0 \\ 0 & 0 & 0.01 & 0 \\ 0 & 0 & 0 & 0.01 \end{bmatrix} \quad (16)$$

$$v_k = [0.01] \quad (17)$$

3.1. Validation of terminal voltage

Figure 10 and Figure 11 show the comparison of the terminal voltage of the of LiFePO₄ battery for 9A PDT test and random test. The red line represents experimental voltage while the blue line represents estimated voltage by PF algorithm. As a result, the terminal voltage for both tests is nearly same between experimental and simulation result. However, noise is observed in simulation result of the PF estimated terminal voltage due to the existence of noise measurement in PF algorithm.

The mean absolute error (MAE), mean square error (MSE) and root mean square error (RMSE) are three types of error used for analysis of the performance of the model for terminal voltage of the battery in this research. MAE is the average of the difference between estimated and measured value in the test or model as expressed in (18). MSE is the average squared difference between estimated and measured value in the test or model as defined as (19). While RMSE is defined as the square root of the MSE in (20).

$$MAE = \frac{1}{N} \sum_{i=1}^N |\text{Measured value} - \text{Estimated value}| \quad (18)$$

$$MSE = \frac{1}{N} \sum_{i=1}^N (\text{Measured value} - \text{Estimated value})^2 \quad (19)$$

$$RMSE = \sqrt{\frac{1}{N} \sum_{i=1}^N (\text{Measured value} - \text{Estimated value})^2} \quad (20)$$

Table 3 shows the error analysis between experimental voltage and PF estimated voltage for both tests. The MAE, MSE and RMSE of terminal voltage in 9A PDT test are 0.0091V, 0.0014V and 0.0373, respectively, which are 0.284%, 0.044% and 1.166% to the nominal voltage of LiFePO₄ battery. Whereas the MAE, MSE and RMSE of voltage in random test are 0.0456V, 0.0184V and 0.1357V respectively which are 1.425%, 0.575% and 4.241% to the nominal voltage of LiFePO₄ battery, respectively. It shows that PF has good performance to determine the terminal voltage during relaxation time even though the noise appear across PF estimated voltage especially during transient; both in PDT and random test. The proposed model by PF proves that PF algorithm can estimate the terminal voltage precisely.

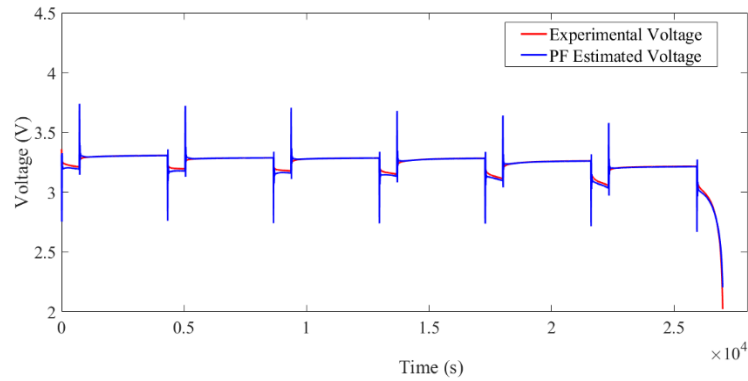


Figure 10. Comparison between experimental voltage and PF estimated voltage for PDT test

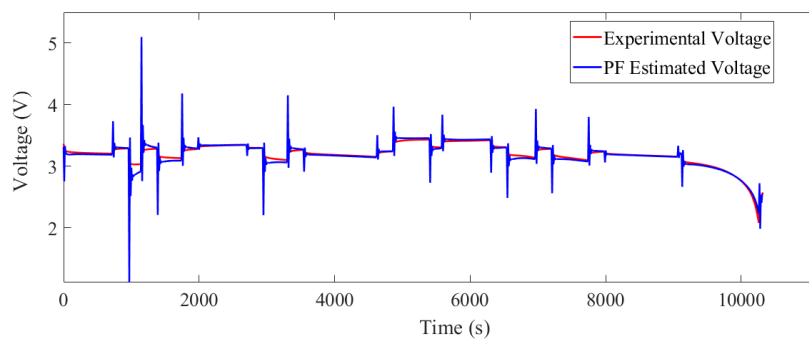


Figure 11. Comparison between experimental voltage and PF estimated voltage for random test

Table 3. Error analysis between experimental voltage and PF estimated voltage for PDT and random test.

Test	Mean Absolute Error (MAE)	Mean Square Error (MSE)	Root Mean Square Error (RMSE)
Pulse Discharge test (9A)	0.0091 V	0.0014 V	0.0373 V
Random test	0.0456 V	0.0184 V	0.1357 V

3.2. Validation of SOC estimation

The Coulomb counting method is used to measure the discharging current of the LiFePO₄ battery and integrates the discharging current over time with the purpose of estimating Real SOC. The Real SOC from Coulomb counting for PDT of 9A and the random test is illustrated in Figure 12 (a) and Figure 13 (a), respectively. While Figure 12 (b) and Figure 13 (b) show the comparison between Real SOC (red line), EKF estimated SOC (yellow line) and PF estimated SOC (blue line). Both methods are able to track and estimate the battery SOC accurately, especially when the SOC is higher than 20%. However, when battery SOC is less than 20%, both estimators are departing from real data. RMSE, absolute error, and relative error are used as a tool to validate and compare the performance of PF and EKF with real SOC. The RMSE and error analysis are denoted as (20) to (24).

$$\text{Average measured value, } V_M = \frac{1}{N} \sum_{i=1}^N \text{Measured value} \quad (21)$$

$$\text{Average estimated value, } V_E = \frac{1}{N} \sum_{i=1}^N \text{Estimated value} \quad (22)$$

$$\text{Absolute error} = |V_E - V_M| \quad (23)$$

$$\text{Relative error} = \frac{|V_E - V_M|}{V_M} \times 100\% \quad (24)$$

The absolute error is defined as the difference between the estimated value and the measured value. The relative error is the ratio of absolute error to the measured value. Table 4 tabulates the error analysis of the SOC estimation algorithm for PDT of 9A and random test. For PDT of 9A, the absolute error and percentage error for EKF estimated SOC is 0.0219% and 0.05%, respectively. Whereas the absolute error and percentage error for PF estimated SOC is 0.0184% and 0.04%, respectively. The difference in relative error for the PDT test between PF and EKF is 0.01%. For PDT of 9A, the RMSE for EKF and PF estimated SOC is 4.6153% and 4.9648%, respectively.

For the random test, the absolute error and relative error of SOC estimation by PF are 1.0622% and 2.58%, respectively. In comparison, the absolute error and relative error of SOC estimation by EKF are 1.2099% and 2.94 %, respectively. The difference in relative error for the random test between PF and EKF is 0.36%. For the random test, the RMSE for EKF and PF estimated SOC is 2.3830% and 1.0657%, respectively. The Table 4 shows that the PF method has a lower absolute error and relative error in both tests. For RMSE, EKF is more accurate than PF, leaving it with a small marginal error in PDT while PF is superior to EKF in random tests. Thus, it can be summarised that the performance of PF is comparable to the performance of EKF.

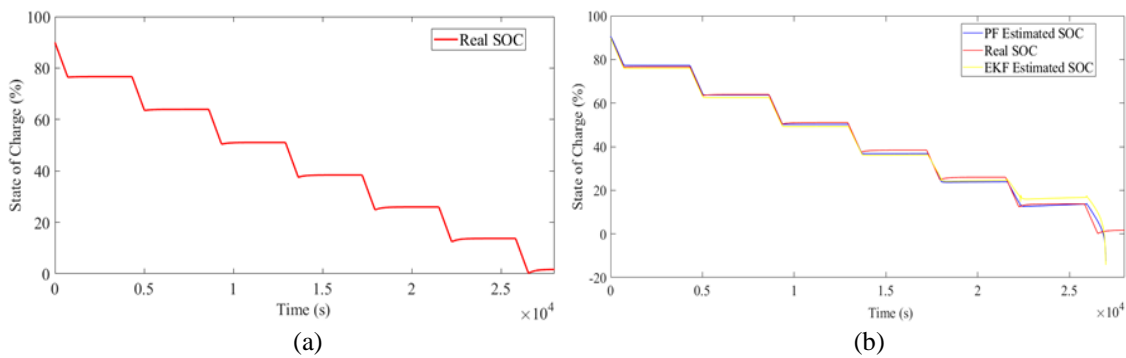


Figure 12. SOC from coulomb counting, (a) real SOC, (b) comparison between real SOC, EKF and PF for PDT of 9A

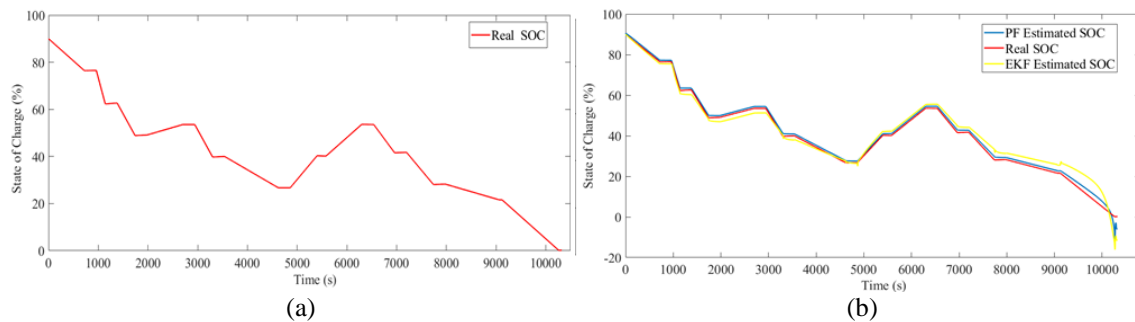


Figure 13. SOC form random test, (a) Real SOC (b) Comparison between real SOC, EKF and PF for random test

Table 4. Error analysis of SOC estimation

	Methods	Absolute Error (%)	Relative Error (%)	Root Mean Square Error (%)
Pulse Discharge test (9A)	EKF	0.0219	0.05	4.6153
	PF	0.0184	0.04	4.9648
Random test	EKF	1.2099	2.94	2.3830
	PF	1.0622	2.58	1.0657

4. CONCLUSION

This paper presents battery modeling and development of particle filter (PF) algorithm to estimate the state of charge (SOC) of 18Ah LiFePO₄ battery. At the first stage, constant discharge test (CDT) and

pulse discharge test (PDT) are performed to investigate the characteristics of the LiFePO₄ battery. Then, the performance of the PF-SOC estimation method is assessed by comparing it with experimental data of dynamic behaviors of LiFePO₄ lithium cell. Additionally, the performance of PF and extended Kalman filter (EKF)-SOC estimation is compared by error analysis. From the analysis, the PF is more accurate than EKF due to a robust procedure to undertake inference for non-linear or non-Gaussian models as compared to the EKF. From PDT and random test, it can be concluded that the PF method is accurate to determine the terminal voltage of the battery with an average error of less than 5% even though the noise appears across PF estimated voltage. Absolute error and relative error, which represent as error analysis of SOC for PDT test and the random test, show that the performance of PF-SOC estimation is more accurate and more precise than EKF-SOC estimation of battery. However, slow responses of the filter, particularly over relaxation time and the dynamic characteristics in terms of the open-circuit voltage (OCV)-SOC relationship of the LiFePO₄ battery, may restrict the performances of PF as shown in PDT. In general, it can be concluded that the PF performance is on par with EKF and worth applied for battery SOC estimation.

REFERENCES

- [1] B. K. Bose, "Advances in power electronics-its impact on the environment," *IEEE International Symposium on Industrial Electronics. Proceedings. ISIE'98* (Cat. No.98TH8357), 1998, pp. 28-30 vol.1, DOI: 10.1109/ISIE.1998.707743.
- [2] B. K. Bose, "Energy, environment, and advances in power electronics," in *IEEE Transactions on Power Electronics*, vol. 15, no. 4, pp. 688-701, July 2000, DOI: 10.1109/63.849039.
- [3] Ibrahim Dincer, "Renewable energy and sustainable development: a crucial review," *Renewable and sustainable energy reviews*, Vol. 4, no. 2, pp. 157-175, 2000, DOI: 10.1016/S1364-0321(99)00011-8.
- [4] Bimal, K. Bose, "Energy, Environment and Importance of Power Electronics," *Recent Researches in Environmental and Geological Science*, 38-47, 2018.
- [5] J.I. San Martín, I. Zamora, J.J. San Martín, V. Aperribay and P. Eguía, "Energy storage technologies for electric applications," in *International Conference on Renewable Energies and Power Quality (ICREPQ'11)*, Las Palmas de Gran Canaria (Spain), 13-15 April, 2011, pp. 593-598, DOI: 10.24084/repqj09.398.
- [6] J. Wang, Z. Sun and X. Wei, "Performance and characteristic research in LiFePO₄ battery for electric vehicle applications," *2009 IEEE Vehicle Power and Propulsion Conference*, 2009, pp. 1657-1661, DOI: 10.1109/VPPC.2009.5289664
- [7] Long Lam, P. Bauer and E. Kelder, "A practical circuit-based model for Li-ion battery cells in electric vehicle applications," *2011 IEEE 33rd International Telecommunications Energy Conference (INTELEC)*, 2011, pp. 1-9, DOI: 10.1109/INTLEC.2011.6099803.
- [8] Kwo Young, Caisheng Wang, Le Yi Wang and Kai Strunz, "Electric Vehicle Battery Technologies," *Power Electronics and Power Systems book series (PEPS)*, pp. 15-56, 2013, DOI: 10.1007/978-1-4614-0134-6_2.
- [9] M. S. Arulampalam, S. Maskell, N. Gordon and T. Clapp, "A tutorial on particle filters for online nonlinear/non-Gaussian Bayesian tracking," in *IEEE Transactions on Signal Processing*, vol. 50, no. 2, pp. 174-188, Feb. 2002, DOI: 10.1109/78.978374.
- [10] Doucet, A., S. Godsill, and C. Andrieu, "On sequential Monte Carlo sampling methods for Bayesian filtering," *Statistics and computing*, vol. 10, no. 3, pp. 197-208, 2000, DOI: 10.1023/A:1008935410038.
- [11] Gordon, N., B. Ristic, and S. Arulampalam, "Beyond the kalman filter: Particle filters for tracking applications," Artech House, London, 2004. 830: p. 5.
- [12] Gordon, Neil J., David J. Salmond, and Adrian FM Smith. "Novel approach to nonlinear/non-Gaussian Bayesian state estimation," *IEE proceedings F (radar and signal processing)*, vol. 140. no. 2. IET Digital Library, 1993, DOI: 10.1049/ip-f-2.1993.0015.
- [13] Simon, D., "Optimal state estimation: Kalman, H infinity, and nonlinear approaches," 2006: John Wiley & Sons.
- [14] Wenshuo Li, Zidong Wang, Yuan Yuan and Lei Guo, "Particle filtering with applications in networked systems: a survey," *Complex & Intelligent Systems*, vol. 2, no. 4, pp. 293-315, 2016, DOI: 10.1007/s40747-016-0028-2.
- [15] F. Gustafsson, "Particle filter theory and practice with positioning applications," in *IEEE Aerospace and Electronic Systems Magazine*, vol. 25, no. 7, pp. 53-82, July 2010, DOI: 10.1109/MAES.2010.5546308.
- [16] Zhe Sage Chen, "Bayesian filtering: From Kalman filters to particle filters, and beyond," *Statistics: A Journal of Theoretical and Applied Statistics*, vol. 182, no. 1, 2003 DOI:10.1080/02331880309257
- [17] Hsiao, K., J. Miller, and H. de Plinval-Salgues, "Particle filters and their applications," *Cognitive Robotics*, 2005. 4.
- [18] Ristic, B., Particle filters for random set models. Vol. 798. 2013: Springer.
- [19] G. G. Rigatos, "Particle Filtering for State Estimation in Nonlinear Industrial Systems," in *IEEE Transactions on Instrumentation and Measurement*, vol. 58, no. 11, pp. 3885-3900, Nov. 2009, DOI: 10.1109/TIM.2009.2021212.
- [20] G. Du and P. Zhang, "A Markerless Human-Robot Interface Using Particle Filter and Kalman Filter for Dual Robots," in *IEEE Transactions on Industrial Electronics*, vol. 62, no. 4, pp. 2257-2264, April 2015, DOI: 10.1109/TIE.2014.2362095.
- [21] Z. Jiang, W. Zhou, H. Li, Y. Mo, W. Ni and Q. Huang, "A New Kind of Accurate Calibration Method for Robotic Kinematic Parameters Based on the Extended Kalman and Particle Filter Algorithm," in *IEEE Transactions on Industrial Electronics*, vol. 65, no. 4, pp. 3337-3345, April 2018, DOI: 10.1109/TIE.2017.2748058.

- [22] Wang, Y., C. Zhang, and Z. Chen, "A method for state-of-charge estimation of LiFePO₄ batteries at dynamic currents and temperatures using particle filter," *Journal of power sources*, 2015. 279: p. 306-311, DOI: 10.1016/j.jpowsour.2015.01.005.
- [23] Min Yea, Hui Guo, Rui Xiong and Quanqing Yu, "A double-scale and adaptive particle filter-based online parameter and state of charge estimation method for lithium-ion batteries," *Energy*, 2018. 144: p. 789-799, DOI: 10.1016/j.energy.2017.12.061.
- [24] Group, G.P., GP Batteries Data Sheet: GP18EVLf, G.I. Ltd, Editor.
- [25] Shen, Y., "Hybrid unscented particle filter-based state-of-charge determination for lead-acid batteries," *Energy*, Vol. 74. 2014. 795-803, DOI: 10.1016/j.energy.2014.07.051.
- [26] Min Chen and G. A. Rincon-Mora, "Accurate electrical battery model capable of predicting runtime and I-V performance," in *IEEE Transactions on Energy Conversion*, vol. 21, no. 2, pp. 504-511, June 2006, DOI: 10.1109/TEC.2006.874229.
- [27] L. W. Yao, J. A. Aziz, P. Y. Kong and N. R. N. Idris, "Modeling of lithium-ion battery using MATLAB/simulink," *IECON 2013 - 39th Annual Conference of the IEEE Industrial Electronics Society*, 2013, pp. 1729-1734, DOI: 10.1109/IECON.2013.6699393.
- [28] Robyn Jackey, Michael Saginaw, Pravesh Sanghvi, Javier Gazzarri, Tarun Huria and Massimo Ceraolo, "Battery model parameter estimation using a layered technique: an example using a lithium iron phosphate cell," 2013, SAE Technical Paper.
- [29] H. Dai, X. Wei and Z. Sun, "State and Parameter Estimation of a HEV Li-ion Battery Pack Using Adaptive Kalman Filter with a New SOC-OCV Concept," *2009 International Conference on Measuring Technology and Mechatronics Automation*, 2009, pp. 375-380, DOI: 10.1109/ICMTMA.2009.333.
- [30] Caiping Zhang, Jiuchun Jiang, Linjing Zhang, Sijia Liu, Leyi Wang and Poh Chiang Loh, "A generalized SOC-OCV model for lithium-ion batteries and the SOC estimation for LNMCO battery," *Energies*, vol. 9, no. 11, pp. 900, 2016, DOI: 10.3390/en9110900.
- [31] Hanlei Zhang and Mo-Yuen Chow, "Comprehensive dynamic battery modeling for PHEV applications," *IEEE PES General Meeting*, 2010, pp. 1-6, DOI: 10.1109/PES.2010.5590108.
- [32] M. Gao, Y. Liu and Z. He, "Battery state of charge online estimation based on particle filter," *2011 4th International Congress on Image and Signal Processing*, 2011, pp. 2233-2236, DOI: 10.1109/CISP.2011.6100603.

BIOGRAPHIES OF AUTHORS



Noor Iswaniza binti Md Siam, born on 25 October 1994. She graduated from University Tun Hussein Onn Malaysia in Bachelor of Electronic Engineering Technology (Industrial Automation) with honours on October of 2018. Currently pursuing Master of Engineering (Electrical Power) at University Technology Malaysia.



Tole Sutikno is a Lecturer in Electrical Engineering Department at the Universitas Ahmad Dahlan (UAD), Yogyakarta, Indonesia. He received his B.Eng., M.Eng. and Ph.D. degrees in Electrical Engineering from Universitas Diponegoro, Universitas Gadjah Mada and Universiti Teknologi Malaysia, in 1999, 2004 and 2016, respectively. He has been an Associate Professor in UAD, Yogyakarta, Indonesia since 2008. He is currently an Editor-in-Chief of the TELKOMNIKA and the Head of the Embedded Systems and Power Electronics Research Group. His research interests include the field of digital design, industrial electronics, industrial informatics, power electronics, motor drives, industrial applications, FPGA applications, artificial intelligence, intelligent control, embedded system and digital library.



Mohd Junaidi Abdul Aziz was born in Kuala Terengganu, Malaysia, in 1979. He received his B.S. and M.S. degrees in Electrical Engineering from the Universiti Teknologi Malaysia (UTM), Kuala Lumpur, Malaysia, in 2000 and 2002, respectively; and his Ph.D. in Electrical Engineering from The University of Nottingham, Nottingham, England, UK, in 2008. Currently working as Associate Professor, Faculty of Electrical Engineering, UTM. His current research interests include power electronics converter, battery management system in electric vehicles and battery charger.