

# POSITRON: lightweight active positioning compliant joints robotic arm in power lines inspection

M. Perez-Jimenez<sup>1</sup>, M.A. Montes-Grova<sup>1</sup>, P. Ramon-Soria<sup>1</sup>, B.C. Arrue<sup>1</sup> and A. Ollero<sup>1</sup>

**Abstract**—This paper presents the design and implementation of a compliant lightweight manipulator with an special end-effector to attach to power-lines. The manipulator can be mounted in aerial robots allowing to compute its relative position from the contact point. The purpose of this device is to obtain an estimate of the UAV's position to close the control loop. Controlling the position of the UAV close to the power-line enables a new wide range of inspection and maintenance tasks in this infrastructure. The article describes the model of the positioning tool and the sensors it uses to provide the necessary information for the UAV controller. It can be built using additive manufacturing techniques and its components are low-cost and available in common robotic stores so anyone can reproduce and use it. Validation experiments have been carried out in an Optitrack system as ground-truth.

## I. INTRODUCTION

Nowadays, the use of UAVs for the inspection of power lines has increased notably. UAVs are starting to be seen as the solution to this problem as they prevent an operator from climbing or using a crane to perform the inspection. Their ability to move in 3D space allows them to operate in unreachable locations where power towers and cables are.

For the security of the power lines during these inspections, an accurate and stable control is required to prevent the UAV to collide accidentally. This article presents a device that provides the necessary information so that the UAV can be controlled very close to the power-line or in contact with the line.

Aerial Manipulation (AM) is a rising field of research in the inspection and maintenance of power-lines. AMs consist in aerial robots that are capable to perform manipulation tasks. These can be high-level dexterous complexity or even just pushing with the aerial robot. For whatever task, it is necessary for the UAV to have an estimate of its position as accurate as possible, in addition to a high refresh rate. All this to be able to manipulate near the desired workspace.

Aerial manipulation has been widely researched over this past decade. Authors in [1] developed a pair of robotic arms and placed them in a pendulum far from the propellers, enlarging the range of action and preventing the disturbances of the air flow generated by the propellers.

Authors in [2] developed a novel control system to stabilize a UAV which actively pushes a wall using a pole. Similarly, in [3] the authors developed a new platform capable of remain stuck on concrete beams by taking advantage of the

ceiling effect in UAVs. In both of this cases, the purpose is to control the position of the aerial robot in a position while the robot is performing another operation.

The author in [4] has developed a lightweight and compliant arms for their use in drones. The compliant design is based on the use of springs between the servos and the links. This design allows them to be absorbs external forces without compromising the stability of the aerial platform.

One of the ways to locate a UAV in power line environments is based on the use of cameras to extract the necessary information visually. Authors in [5] proposed the use of AR-tags to increase the accuracy and reliability of the positioning system of the robot. The requirement of using these visual techniques come from the lack of accuracy of classical GPS systems. GPS gives a fair accuracy for navigating in open spaces but lacks of precision when operating close to structures. For this reason, the use of other sensors is required when operating or manipulating with the aerial robot.

Visual SLAM (vSLAM) is a common approach to tackle this problem. In [6] vSLAM has been used for the inspection of high voltage towers. In [7], it can be observed how the inspection of the power line is carried out using conventional cameras. However, even if a good detection rate is obtained, that does not have necessary precision to carry out manipulation tasks. Nevertheless, there is a great amount of surveys for the interest of the reader related to this topic [8], [9], [10].

An alternative to only-visual techniques is the use of laser devices. These are typically heavier than cameras, but give more reliable estimations. In [11] and [12] the use of this type of sensor for environmental recognition is shown. However, techniques above are still heavy computationally speaking, and these devices are very expensive.

Another alternative for outdoor localization without GPS is the use of range-based techniques, for example, Wi-Fi or RF. In [13], a localization algorithm that uses the power of the RSSI signal, achieves a 5% error in indoor conditions.

In [14], authors present a system that takes advantage of the use of a Total Station. This device provides a stable and accurate measurement of the position of the robot which is used to control the UAV. However, in this technique, it is strictly required that the UAV is always in the line of sight of the Total Station.

The work presented in this article is a part of the open-source hardware Hecatonquiros<sup>1</sup>. This aims to provide a low-cost, and easy to use and repair manipulators for aerial robots. The possibility of designing parts and printing them

<sup>1</sup> Group of Robotics, Vision and Control of the University of Seville, Camino de los Descubrimientos, Sevilla 41092, Spain manuperezj@gmail.com, marrcogrova@gmail.com, pabramosr@gmail.com, barrue@us.es, aollero@us.es

<sup>1</sup><https://github.com/Bardo91/hecatonquiros>

with the 3D printer with such small cost has caused an increase in the number of projects using this technology.

The work presented in this article improves the local positioning tool, we called Docking tool, presented in [15]. This was created to obtain a position estimation to feed the UAV controller for pipe inspection. However, that device had various problems, such as the presence of the passive links of the positioning tool which were difficult to control.

Moreover, in this article, instead of using the passive links, a manipulator with serial servos are used. These servos are sensorized so it is possible to read not only the position of the joints but also the existing force in the joints.

In order to minimize the effect of the contact of the robot with the power-line, a torque control is applied in the joints, minimizing the torque in them. In this mode, the servos moves compliantly when it is attached to the power-line as can be seen in Figure 1. By this way, it is possible to control the arm, but also to use it as a passive contact positioning system.

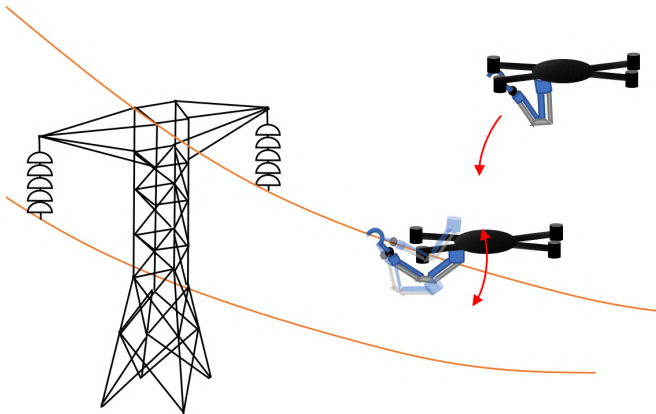


Fig. 1. Conceptual scheme with typical operation with POSITRON

The weight of the tool is very important for its use in drones. Particularly, the design has been optimized to reduce the weight as much as possible.

The system has been validated in a test-bed using a 28 cameras OptiTrack system at the GRVC Robotics Lab to guarantees that the tool obtains stable and accurate angle values for use in UAV control.

The remainder of the article is organized as follows. Section II presents the complete model of the tool, the integration with the robotic arm, and the implementation of the loop control. Section III shows the experimental validation of the system and algorithms. These experiments are shown in simulated environments. Finally, Section IV outlines the conclusions and the future work for this research.

## II. SYSTEM DESCRIPTION

### A. Compliant aerial manipulator

The proposed compliant aerial manipulator consists in 3 DoF manipulator with torque limitation in the joints and a 3 DoF sensorized end-effector with a custom attaching

mechanism for power-line inspection. It has been specially designed to be performed in small aerial robots. Figure 2 summarizes the components of the aerial manipulator and the interaction between them.

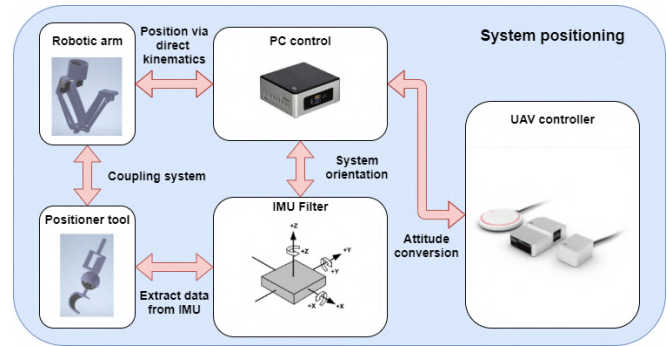


Fig. 2. Overall system structure.

One of the main features of this manipulator is the passive spherical joint placed at the end-effector. It minimizes the effect of the external torques on the aerial robot generated during the physical attachment to the power-line. Additionally, the maximum force exerted is controlled. Thus they actuate compliantly, reducing the forces on the UAV, while keeping the closed-chain estimate the position of the aerial robot by computing the direct kinematic of the manipulator.

The remainder of this section describes the parts of the systems, including the model of the manipulator and end-effector, the hardware design, and the control system.

### B. Robotic arm design

This section introduces the design and characteristic of the manipulator, which is inspired in the implementation made by UFACTORY<sup>2</sup>.

The CAD design of the robotic arms is shown in Figure 3. In this version, all the engines have been placed at the basement of the manipulator, minimizing the inertia of all the joints.

The first joint has been designed so the servo does not hold weight, but the structure of the arm. The joint rests on a ring to distribute better the total weight. This feature is shown in Figure 4, it can be observed that the blue piece carries the weight of the purple piece, which is the connection with the rest of the robotic arm.

The arm's kinematic has been obtained as described in [16] and [17] using Denavit-Hartenberg. The used diagram can be see in Figure 5.

The resulting parameters are shown in Table I. These parameters are used to solve the direct kinematics of the arm, which result is used to know the transformation from the base of the arm to the end-effector.

During a normal operation, when the end-effector is attached to the power-line, the coordinate frames  $O_6X_6Y_6Z_6$  remains static. Its orientation is defined by angle  $\theta_{2a}$  regarding to frame  $O_5X_5Y_5Z_5$  according to:

<sup>2</sup><https://www.ufactory.cc/#/en/uarmswift>

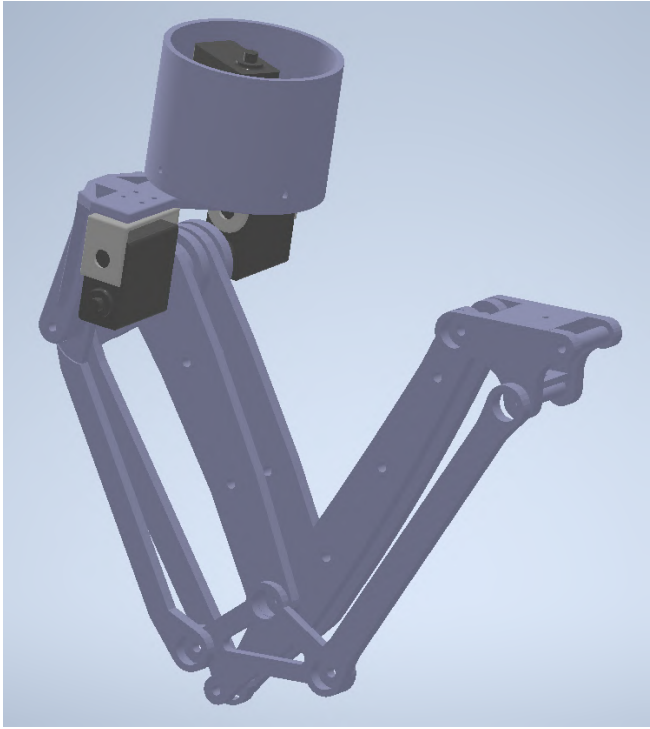


Fig. 3. CAD model of the robotic arm.

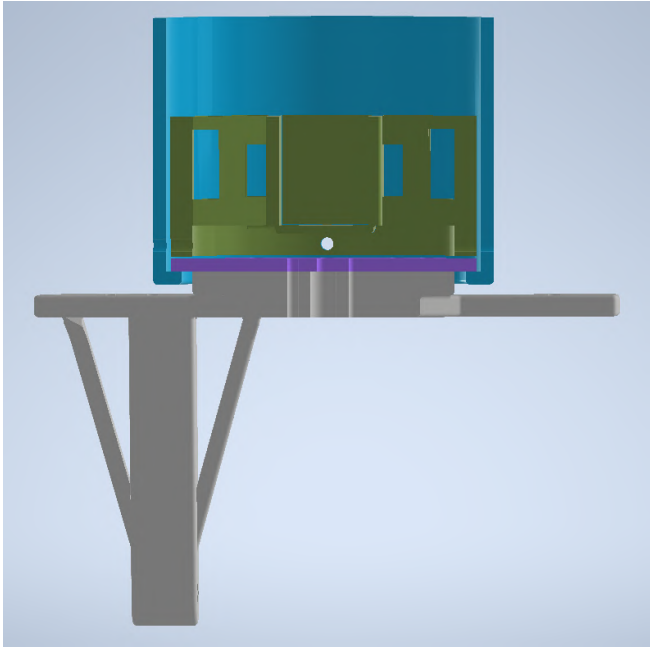


Fig. 4. Principal characteristic of the main rotation axis.

$$A_6^5 = \begin{bmatrix} c\theta_{2a} & s\theta_{2a} & 0 & 0 \\ -s\theta_{2a} & c\theta_{2a} & 0 & 0 \\ 0 & 0 & 1 & 0 \\ 0 & 0 & 0 & 1 \end{bmatrix} \quad (1)$$

The four-bar mechanism forces the following conditions:

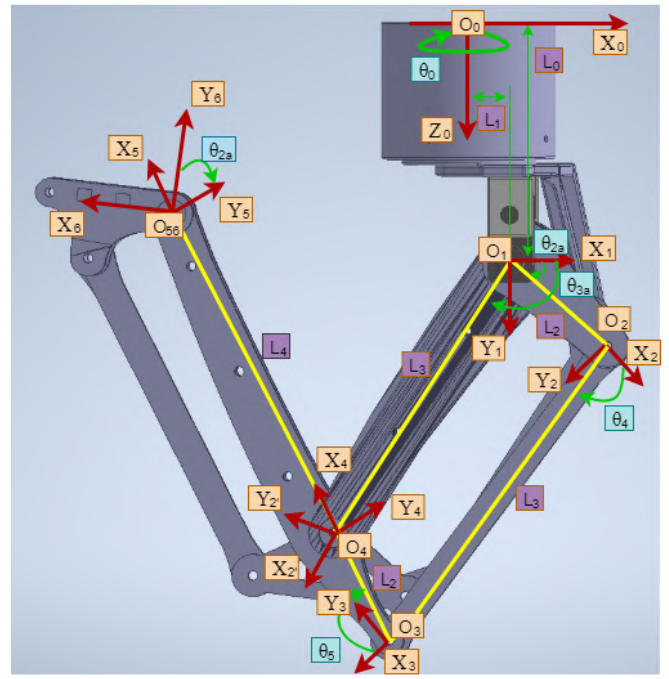


Fig. 5. Scheme used to calculate the kinematics with Denavit-Hartenberg method.

TABLE I  
DENAVIT-HARTENBERG PARAMETERS OF THE MANIPULATOR.

	$\theta_i$	$d_i$	$\alpha_i$	$a_i$
Link $L_1$	$\theta_1$	$L_0$	$90^\circ$	$-L_1$
Link $L_2$	$\theta_{2a} = \theta_2 + 55^\circ$	0	0	$L_2$
Link $L_3$	$\theta_4$	0	0	$L_3$
Link $L_4$	$\theta_5$	0	0	$L_2$
Link $L_5$	$\theta_{3a} = \theta_3 + 55^\circ$	0	0	$L_3$
Link $L_6$	0	0	0	$L_4$

$$L_2[\cos(\theta_{2a}) + \cos(\theta_{2a} + \theta_4 + \theta_5)] + L_3[\cos(\theta_{2a} + \theta_4) - \cos(\theta_{3a})] = 0 \quad (2)$$

$$L_2[\sin(\theta_{2a}) + \sin(\theta_{2a} + \theta_4 + \theta_5)] + L_3[\sin(\theta_{2a} + \theta_4) - \sin(\theta_{3a})] = 0 \quad (3)$$

It is deduced that:

$$\theta_4 = \theta_{3a} - \theta_{2a} \text{ and } \theta_5 = \pi - \theta_{3a} + \theta_{2a}.$$

Where  $\theta_{2a} = \theta_2 + 55^\circ$  and  $\theta_{3a} = \theta_3 + 100^\circ$ .

The final matrix is obtained:

$$A_5^0 = \begin{bmatrix} -c\theta_{2a} & s\theta_{2a} & 0 & L_3c\theta_{3a} - L_4c\theta_{2a} \\ -s\theta_{2a} & -c\theta_{2a} & 0 & L_3s\theta_{3a} - L_4s\theta_{2a} \\ 0 & 0 & 1 & 0 \\ 0 & 0 & 0 & 1 \end{bmatrix} \quad (4)$$

Figure 6 shows the actual implementation of the robotic manipulator and the end-effector. The total weight of the complete system is 700 grams, including the motors, the electronics and the batteries necessary for its operation.



Fig. 6. Real implementation of the robotic arm with the positioner tool.

### C. Custom power-line attachment tool

This section focuses on the custom end-effector device which allows the manipulator to get attached to the power-line. It has a passive spherical joint as wrist, preventing possible torques generated during the contact. Figure 7 shows the model of the end-effector.

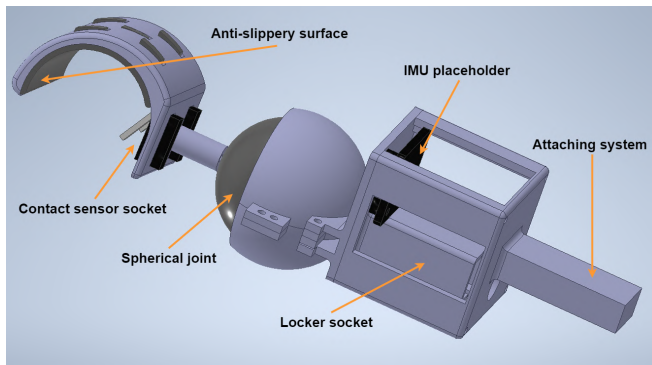


Fig. 7. CAD model end-effector tool.

As shown in Figure 7, the device is equipped with an Inertial Measurement Unit (IMU) that measures the orientation of the manipulator.

The design attaching system to the power-line consists of a half circumference with the inner part printed in flexible filament. This material adapts better to the cable and absorb the shock on the couple with the power line and do not affect this shock to the robotic arm system. At one of the sides, two small push buttons have been placed to detect when it is attached to the cable.

To facilitate the coupling with the robotic arm, the final part has been designed by means of a single screw, so it can be attached and uncoupled from the robotic arm. In Figure 8 you can see the coupling and decoupling of the designed tool.

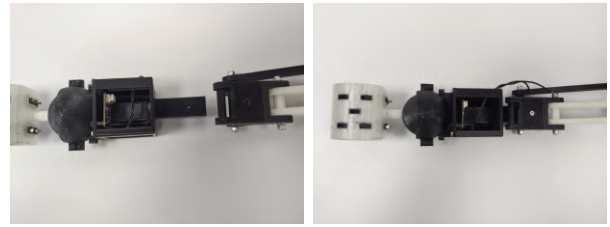


Fig. 8. Coupling system.

Finally, it is intended the developing an easy coupling on the robotic arm to facilitate the use of alternative tools such as a claw or others end-effectors.

### D. Position estimator

This section describes how the data from previous sensors are used to estimate the position of the aerial robot. This position is used to feed the control of the system. Figure 9 shows the three main coordinate frames of the system. From left to right, the attaching point coordinate frame, the wrist coordinate frame and the UAV coordinate frame.

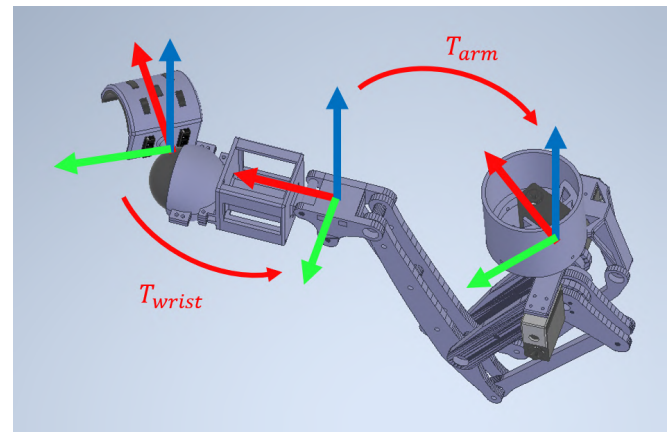


Fig. 9. Reference frames of the robot and transforms.

The controller of the UAV is based on an attitude control loop, which needs the estimation of the position and orientation the robot. This estimation is obtained from two different sources. From the end-effector, an estimation of the orientation of the manipulator from the attaching point in the power-line is computed. Then, the kinematics of the manipulator is used to estimate the pose of the drone from the end-effector.

As the wrist of the end-effector is an unsensored passive spherical joint, the orientation is estimated with a tiny IMU, shown in Figure 10, located close to the joint.

Table II shows the characteristics of the internal accelerometer, gyroscope and magnetometer of the sensor. The sensor provides a I2C interface that allows to easily read the values of the sensor used thus minimizing integration into the global system architecture. The operating voltage of the sensor used ranges from 3.3 to 5 V and it consumes just 5 mA. Its size of 32 x 27 mm makes it ideal for small robotics. It also accounts with an internal 32-bit micro-controller that





Fig. 10. IMU sensor BNO055 and barometer BMP280.

computes the attitude internally, granting a high estimation rate. The data refresh rate reaches 100 Hz, suiting for the controller of the drone controller.

TABLE II  
CHARACTERISTICS OF THE IMU BNO055.

Characteristics	Accelerometer
Ranges	$\pm 2 \text{ g } \pm 4 \text{ g } \pm 8 \text{ g } \pm 16 \text{ g}$
Low-pass filter BW	1k to 8 Hz
Characteristics	Gyroscope
Ranges	$\pm 125 \text{ to } 2000 \text{ }^\circ/\text{s}$
Low-pass filter BW	523 to 12 Hz
Characteristics	Geomagnetic
Ranges	$\pm 1300 \text{ uT (x-,y-axis) } \pm 2500 \text{ uT (z-axis)}$
Resolution	0.3

Table III shows the characteristics of the barometer sensor. This sensor has a great accuracy, linearity, a great stabilization and high EMC robustness. It is used to provide a stable estimate of height to fuse it with the data provided by the robotic arm and end-effector.

The barometer is not suitable for measuring small variations of movements. However, it provides continuous stable measurements of the altitude of the robot. Since the position provided by the robotic arm is limited to its range of action, in case of failure, the estimate in height will be taken so that the UAV can be controlled in altitude.

TABLE III  
CHARACTERISTICS OF THE BAROMETER BMP280.

Characteristics	Barometer
Pressure range	300 ~ 1100 hPa
Relative accuracy	$\pm 0.12 \text{ hPa}$
Absolute accuracy	$\pm 1 \text{ hPa}$
Temperature range	0 to 65 °C
Temperature resolution	0.01 °C

As explained in [18], the magnetic field can be used in data fusion to correct the estimations of yaw. However, the electric current that circulates through the power-lines might generate a magnetic field around them that can induce errors in the heading. This magnetic field can take values between 1,0uT and 8,1uT.

There are several techniques to solve this problem. Most are based on decoupling attitude estimation from magnetic disturbances, compensating for these disturbances and applying some sensory fusion to estimate orientation. In addition, the gyro bias must be compensated.

In this work, the algorithm used to perform the sensory fusion is the Improved Explicit Complementary Filter (IECF) from [18] which is based on [19].

The equations (5) and (6) defines the filter implemented.

$${}^I_E q = \int {}^I_E \dot{q} dt \quad (5)$$

$${}^I_E \dot{q} = \frac{1}{2} {}^I_E \hat{q} \otimes [0 \quad (\vec{\omega} + K\vec{e})^T] \quad (6)$$

$T$  means the transpose of a matrix,  ${}^I_E q$  defines the orientation of the Earth relative to the IMU,  ${}^I_E \hat{q}$ , the normalized estimated quaternion,  $\vec{\omega}$ , gyroscope measurement and,  $\vec{e}$ , the error term. This error is obtained from accelerometer and magnetometer measurements as can be seen in equation (7). Furthermore, with the error scaled using  $K$ , the algorithm gain. To reduce initialization time, gain  $K$  is initially set to a great value for rapid convergence. Then  $K$  is set to a smaller value.

$$\vec{e} = e_{acc} + e_{mag} \quad (7)$$

Thus the total error.  $e$  is calculated with the measurements of the accelerometer and magnetometer of each sensor.  $e_{acc}$  is calculated as the cross product of the normalized measured acceleration and the predict acceleration. Finally,  $e_{mag}$  is calculated as the cross product of the normalized measured east and predict east.

The gyroscope bias can be considered as a low frequency noise and estimated by using a low-pass filter.

The magnetic distortion is rejected by setting a threshold range for the magnetometer.

In the Figure 11 is shown the block diagram of the filter used.

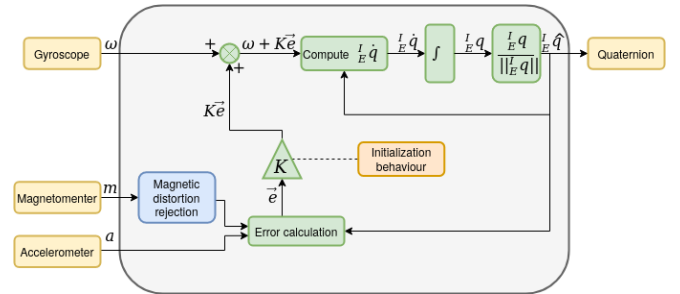


Fig. 11. Diagram block of Improved Explicit Complementary Filter (IECF).

The 3D orientation expressed by the Euler angles  $(\phi, \theta, \psi)$  are obtained from the quaternion  $(q_0, q_1, q_2, q_3)$  as follows.

$$\begin{bmatrix} \phi \\ \theta \\ \psi \end{bmatrix} = \begin{bmatrix} atan2(2(q_0 q_1 + q_2 q_3), 1 - 2(q_1^2 + q_2^2)) \\ asin(2(q_0 q_2 - q_1 q_3)) \\ atan2(2(q_0 q_3 + q_1 q_2), 1 - 2(q_2^2 + q_3^2)) \end{bmatrix} \quad (8)$$

Finally, once the orientation of the wrist is computed, the direct kinematic of the arm is added to the transformation to get the final position of the aerial manipulator.

$$T_{wrist} = \begin{bmatrix} R_{imu} & 0 \\ 0 & 1 \end{bmatrix} \quad (9)$$

$$T_{arm} = A_5^0 = A_1^1 A_4^1 A_5^4 \quad (10)$$

$$T_{drone} = T_{wrist} \cdot T_{arm} \quad (11)$$

### E. Implementation of the UAV control loop

The UAV has a DJI A3 autopilot, which allows to control it in commands of speed, attitude (roll, pitch, yaw and thrust) and in attitude rate. This autopilot is typically more reliable than other solutions. [20] shows a comparison of different DJI models analyzing the accuracy of their GNSS positioning.

DJI does not allow to override its internal estimator, thus to control the drone at local coordinates a cascade control as been built. This solution provides greater reliability to the system since if this control fails, the autopilot will always have its own attitude control with its sensor estimates.

In order to maintain the UAV in a desired position, the cascade control loop shown in Figure 12 has been implemented. This control loop allows using the variations of Euler angles obtained by the tool to try to keep the reference position as stable as possible.

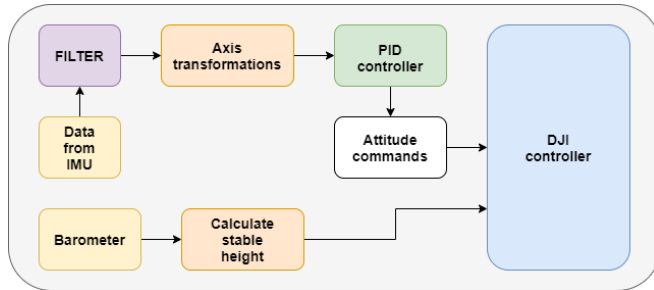


Fig. 12. System control diagram.

All the controllers are PIDs with anti-windup, which use a reference marked by the positioning tool at the time of coupling with the power line. The estimated position from the system described in Section II-D is used to feed the PIDs which outputs are sent to the DJI controller.

The information provided by the barometer is fused with the arm to have a height control if the position of the robotic arm fails. As mentioned in Section II-B, in order to minimize the interactions of the contact with the power-line in the robot, the manipulator is continuously being controlled in a second loop to minimize the force in the joints. Each servomotor has an internal load cell which measures the torque on it. Figure 13 shows the force control loop. It moves the reference position of the joints according to the torque measured on it. Section III-B shows the analysis of this control system and how the position of the joints is shifted to minimize the torque in the joints.

## III. EXPERIMENTAL VALIDATION

In the following section, the experiments performed with the positioning tool are exposed. In order to validate the

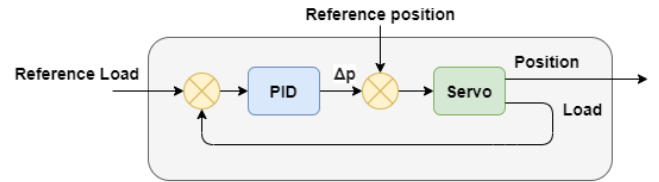


Fig. 13. Force control.

results, the position and orientation of each of the stages of the estimation has been compared against a 28-camera Optitrack system. With this system, the position of a rigid body can be obtained with an error of 0.3mm and the orientation with an error of 0.05°.

### A. Orientation Estimation Results

To perform these experiments, a set of markers have been placed on the positioning tool, as may be seen in figure 14.

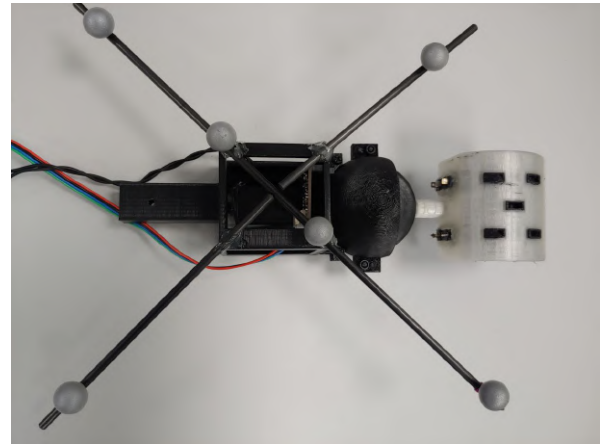


Fig. 14. Markers used to obtain the ground-truth orientation.

The experiments are based on the comparison between the orientation obtained by the Optitrack system and the filter implemented. To check the function of the IECF filter, a broadband electromagnetic interference was generated. The estimation of the orientation has been estimated with and without the EMI filter to quantify its efficiency.

Figure 15 shows the results of the estimation of the orientation when the filter is not present in presence of an electromagnetic noise. As it can be seen, there are peaks of errors in the heading obtained due to electromagnetic interference.

Figure 16 shows the error in each Euler Angle obtained. The larger error correspond to the yaw estimate, but it keeps with an average of  $\sim 4.5$  and lower than 10 degrees.

On the other hand, Figure 17 shows the results of the orientation estimation when the EMI noise filter is activated which improves the yaw estimation.

As can be seen in the figure 18, the maximum orientation error obtained has been reduced to 6 degrees.

The results obtained validate the IMU used together with the filter applied for its integration into the system and

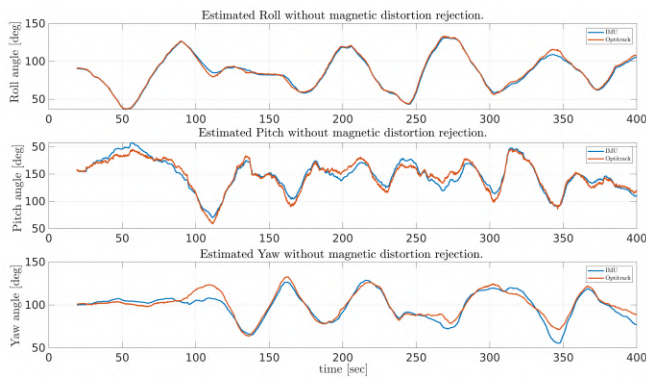


Fig. 15. Orientation comparative with magnetic distortion rejection disabled. The blue line corresponds to the IMU measurement and the orange line corresponds to the measurement provided by the Optitrack.

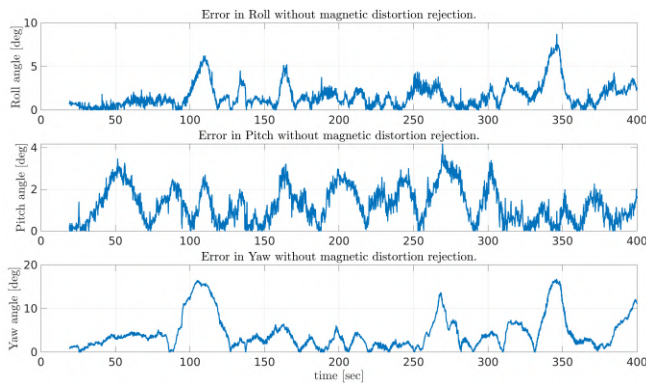


Fig. 16. Orientation estimated error with magnetic distortion rejection disabled.

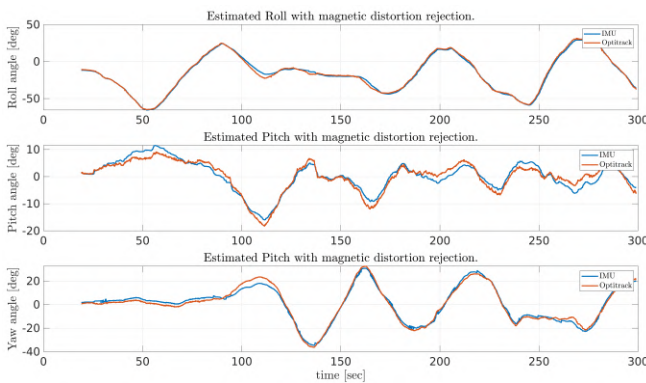


Fig. 17. Comparative between orientation estimated and ground truth with magnetic distortion rejection enabled. The blue line corresponds to the IMU measurement and the orange line corresponds to the measurement provided by the Optitrack.

provide the necessary guidance that the UAV controller must maintain and compensate.

### B. Positioning Estimation Results

This section is based on comparing the position provided by the direct kinematics of the robotic arm and the position provided by the Optitrack system.

As in the previous section, reflective balls have been

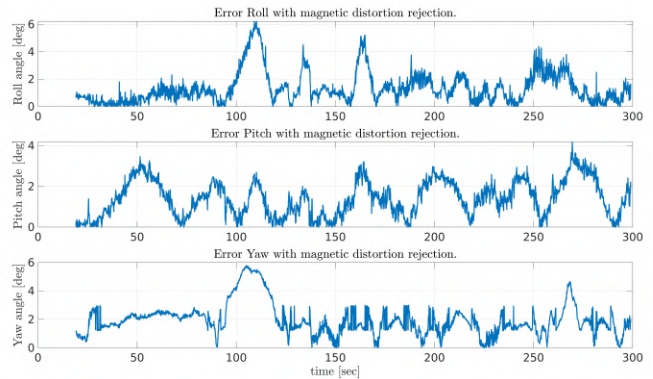


Fig. 18. Orientation estimated error with magnetic distortion rejection enabled.

placed so that the center of gravity coincides with the initial axes of the robotic arm have been used. This configuration is necessary since the robotic arm provides the position in local coordinates and the Optitrack system in global coordinates.

Figures 19 and 20 show an experiment in which the robotic arm was moved in different ways freely to obtain the position of the motors and calculate the direct kinematics to compare it with the ground-truth. The performance obtained is remarkable because it shows that a correct construction of the robotic arm and estimation of its dimensions have been made. This allows a good estimate of the position of the robotic arm.

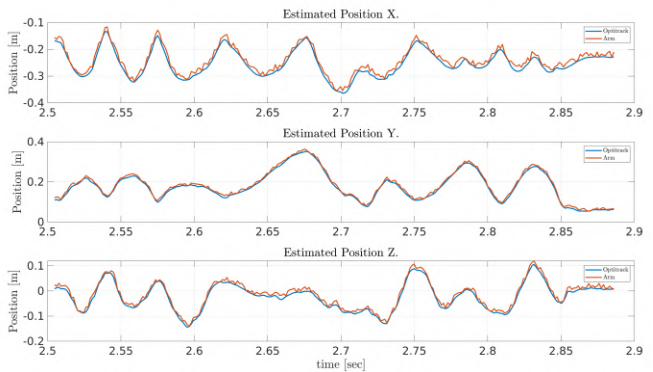


Fig. 19. Comparison of the estimated position. The blue line corresponds to that provided by the Optitrack and the orange line is the position provided by the arm.

Finally, Figure 21 shows the evaluation of the compliant torque control that minimizes the effect of the contact with the power-line by adjusting the goal angles of the joints of the manipulator.

The Figure 21 shows different steps of force exerted to a joint. Each gray band correspond to an external torque. In the top plot, it can be observed how the reference position for the joint moves when the torque appears, which is represented in the middle plot. Bottom sub-figure shows the difference between the target position and the current measured position which is lower than 1 degree.



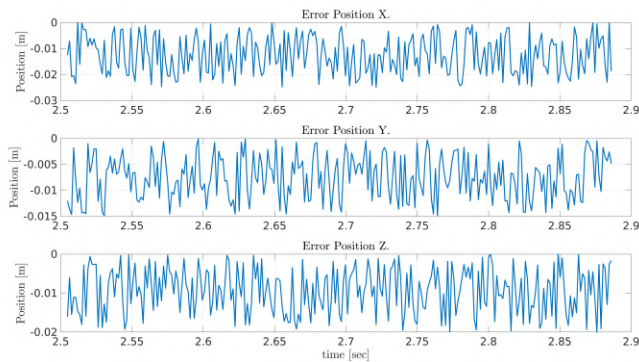


Fig. 20. Error obtained between the two estimates positions.

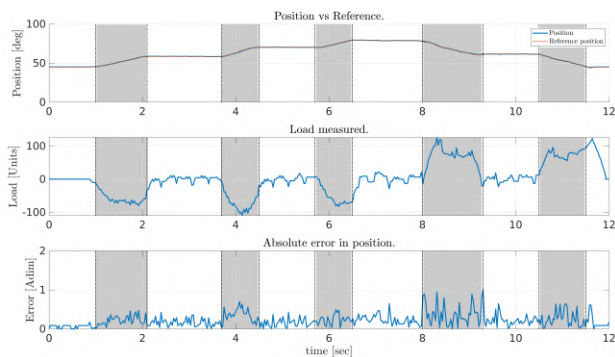


Fig. 21. Control over the arm load measured. The blue line corresponds to the current position and the orange line shows the reference position.

#### IV. CONCLUSIONS

The work presented in this document shows a complete UAV positioning system for the inspection of electric lines. The system can be used by autonomous unmanned aerial vehicles. It offers a solution for both civil inspection and commercial inspection of industrial facilities.

The proposed system solves a lack of publications related to manipulation tasks with UAVs in denied GPS environments. The tool allows free movement thanks to its crazy wheel, which makes the drone control not disturbed due to system limitations.

The system is adaptable to any robotic arm together with the control loop implemented to any available controller, as long as you let the drone command with the commands used. The software is available in open source so that any user who wishes can improve it.

Future work focuses on its implementation in real environments with electrical lines with voltages and amperes and see how they affect the on-board sensors used.

In addition, its feasibility of use in a less complex system than a robotic arm and the automatic detection of the power line will be studied so that it is automatically and not manually engaged.

#### ACKNOWLEDGMENT

We thank *Robotics, Vision and Control Group* for supporting us during the development of this paper. This work has

been developed in the framework of the project AERIAL-CORE funded under H2020 ICT-10-2019-2020, GRIFFIN ERC-2017-ADG - ERC Advanced Grant EU-funded project and Spanish project ARM-EXTEND DPI2017-89790-R.

#### REFERENCES

- [1] P. Sanchez-Cuevas, A. Suarez, G. Heredia, M. Fernandez, and A. Ollero, "Lightweight and compliant long reach aerial manipulator for inspection operations," 10 2018.
- [2] S. Hamaza, I. Georgilas, and T. Richardson, "Towards an adaptive-compliance aerial manipulator for contact-based interaction," in *2018 IEEE/RSJ International Conference on Intelligent Robots and Systems (IROS)*, Oct 2018, pp. 1–9.
- [3] S. Hamaza, I. Georgilas, M. Fernandez, P. Sanchez, T. Richardson, G. Heredia, and A. Ollero, "Sensor installation and retrieval operations using an unmanned aerial manipulator," *IEEE Robotics and Automation Letters*, vol. 4, no. 3, pp. 2793–2800, July 2019.
- [4] A. Suarez, G. Heredia, and A. Ollero, "Lightweight compliant arm for aerial manipulation," in *2015 IEEE/RSJ International Conference on Intelligent Robots and Systems (IROS)*, Sep. 2015, pp. 1627–1632.
- [5] A. Cantieri, M. Wehrmeister, A. Oliveira, J. Lima, M. Ferraz, and G. Szekir, *Proposal of an Augmented Reality Tag UAV Positioning System for Power Line Tower Inspection*, 01 2020, pp. 87–98.
- [6] J. Bian, X. Hui, X. Zhao, and M. Tan, "A monocular vision-based perception approach for unmanned aerial vehicle close proximity transmission tower inspection," *International Journal of Advanced Robotic Systems*, vol. 16, p. 172988141882022, 01 2019.
- [7] Y. Zhang, X. Yuan, L. Wenzhuo, and S. Chen, "Automatic power line inspection using uav images," *Remote Sensing*, vol. 9, p. 824, 08 2017.
- [8] A. Cerón, I. Mondragon, and F. Prieto, "Research on power line inspection by visual based navigation," 2014.
- [9] J. Bian, X. Hui, X. Zhao, and M. Tan, "A point-line-based slam framework for uav close proximity transmission tower inspection," in *2018 IEEE International Conference on Robotics and Biomimetics (ROBIO)*, Dec 2018, pp. 1016–1021.
- [10] O. Menendez, M. Perez, and F. auat cheein, "Visual-based positioning of aerial maintenance platforms on overhead transmission lines," *Applied Sciences*, vol. 9, p. 165, 01 2019.
- [11] F. Azevedo, A. Dias, J. Almeida, A. Oliveira, A. Ferreira, T. Santos, A. Martins, and E. Silva, "Lidar-based real-time detection and modeling of power lines for unmanned aerial vehicles," *Sensors*, vol. 19, 04 2019.
- [12] G. Teng, M. Zhou, C. Li, H. Wu, W. Li, F. Meng, C. Zhou, and L. Ma, "Mini-uav lidar for power line inspection," *ISPRS - International Archives of the Photogrammetry, Remote Sensing and Spatial Information Sciences*, vol. XLII-2/W7, pp. 297–300, 09 2017.
- [13] B. Risteska Stojkoska, J. Palikrushev, K. Trivodaliev, and S. Kalajdziski, "Indoor localization of unmanned aerial vehicles based on rssi," 07 2017.
- [14] P. Sanchez-Cuevas, P. Ramon-Soria, B. Arrue, A. Ollero, and G. Heredia, "Robotic system for inspection by contact of bridge beams using uavs," *Sensors*, vol. 19, no. 2, p. 305, Jan 2019. [Online]. Available: <http://dx.doi.org/10.3390/s19020305>
- [15] P. Ramon Soria, B. C. Arrue, and A. Ollero, "A 3d-printable docking system for aerial robots: Controlling aerial robotic manipulators in outdoor industrial applications," *IEEE Robotics Automation Magazine*, vol. 26, no. 1, pp. 44–53, March 2019.
- [16] V. Damic, M. Cohodar, and M. Tvrtkovic, *Inverse Dynamic Analysis of Hobby Robot uArm by Matlab/Simulink*, 01 2016, pp. 0095–0101.
- [17] A. N. Cozmin CRISTOIU, "New approach for forward kinematics modeling of industrial robots with closed kinematic chain," 09 2017.
- [18] B. Fan, Q. Li, and T. Liu, "How magnetic disturbance influences the attitude and heading in magnetic and inertial sensor-based orientation estimation," *Sensors*, vol. 18, no. 2, p. 76, Dec 2017. [Online]. Available: <http://dx.doi.org/10.3390/s18010076>
- [19] S. Madgwick, "Ahrs algorithms and calibration solutions to facilitate new applications using low-cost mems," Ph.D. dissertation, University of Bristol, 2014.
- [20] S. Świerczynski and A. Felski, "Determination of the position using receivers installed in uav," in *2019 European Navigation Conference (ENC)*, 2019, pp. 1–4.