

Received: 23.01.2016  
Published: 09.02.2016

Year: 2016, Number: 10, Pages: 86-101  
Original Article\*\*

## SINGLE VALUED NEUTROSOPHIC GRAPHS

**Said Broumi**<sup>1,\*</sup> <broumisaid78@gmail.com>  
**Mohamed Talea**<sup>1</sup> <taleamohamed@yahoo.fr>  
**Assia Bakali**<sup>2</sup> <assiabakali@yahoo.fr>  
**Florentin Smarandache**<sup>3</sup> <fsmarandache@gmail.com>

<sup>1</sup>Laboratory of Information Processing, Faculty of Science Ben M'Sik, University Hassan II, B.P 7955, Sidi Othman, Casablanca, Morocco.

<sup>2</sup>Ecole Royale Navale-Boulevard Sour Jdid, B.P 16303 Casablanca-Morocco,

<sup>3</sup>Department of Mathematics, University of New Mexico, 705 Gurley Avenue, Gallup, NM 87301, USA

**Abstract** - The notion of single valued neutrosophic sets is a generalization of fuzzy sets, intuitionistic fuzzy sets. We apply the concept of single valued neutrosophic sets, an instance of neutrosophic sets, to graphs. We introduce certain types of single valued neutrosophic graphs (SVNG) and investigate some of their properties with proofs and examples.

**Keywords** - Single valued neutrosophic set, single valued neutrosophic graph, strong single valued neutrosophic graph, constant single valued neutrosophic graph, complete single valued neutrosophic graph.

### 1. Introduction

Neutrosophic sets (NSs) proposed by Smarandache [12, 13] is a powerful mathematical tool for dealing with incomplete, indeterminate and inconsistent information in real world. they are a generalization of the theory of fuzzy sets [24], intuitionistic fuzzy sets [21, 23] and interval valued intuitionistic fuzzy sets [22]. The neutrosophic sets are characterized by a truth-membership function (t), an indeterminacy-membership function (i) and a falsity-membership function (f) independently, which are within the real standard or nonstandard unit interval  $]0, 1^+]$ . In order to practice NS in real life applications conveniently, Wang et al.[16] introduced the concept of a single-valued neutrosophic sets (SVNS), a subclass of the neutrosophic sets. The SVNS is a generalization of intuitionistic fuzzy sets, in which three membership functions are independent and their value belong to the unit interval  $[0, 1]$ . Some more work on single valued neutrosophic sets and their extensions may be found on [2, 3, 4, 5, 15, 17, 19, 20, 27, 28, 29, 30].

---

\*\* Edited by Irfan Deli (Area Editor) and Naim Çağman (Editor-in-Chief).

Graph theory has now become a major branch of applied mathematics and it is generally regarded as a branch of combinatorics. Graph is a widely used tool for solving combinatorial problems in different areas such as geometry, algebra, number theory, topology, optimization and computer science. Most important thing which is to be noted is that, when we have uncertainty regarding either the set of vertices or edges or both, the model becomes a fuzzy graph. Lots of works on fuzzy graphs and intuitionistic fuzzy graphs [6, 7, 8, 25, 27] have been carried out and all of them have considered the vertex sets and edge sets as fuzzy and /or intuitionistic fuzzy sets. But, when the relations between nodes(or vertices) in problems are indeterminate, the fuzzy graphs and intuitionistic fuzzy graphs are failed. For this purpose, Samarandache [9, 10, 11, 14, 34] have defined four main categories of neutrosophic graphs, two based on literal indeterminacy (I), which called them; I-edge neutrosophic graph and I-vertex neutrosophic graph, these concepts are studied deeply and has gained popularity among the researchers due to its applications via real world problems [1, 33, 35]. The two others graphs are based on (t, i, f) components and called them; The (t, i, f)-Edge neutrosophic graph and the (t, i, f)-vertex neutrosophic graph, these concepts are not developed at all. In the literature the study of single valued neutrosophic graphs (SVN-graph) is still blank, we shall focus on the study of single valued neutrosophic graphs in this paper.

In this paper, some certain types of single valued neutrosophic graphs are developed and some interesting properties are explored.

## 2. Preliminaries

In this section, we mainly recall some notions related to neutrosophic sets, single valued neutrosophic sets, fuzzy graph and intuitionistic fuzzy graph relevant to the present work. See especially [6, 7, 12, 13, 16] for further details and background.

**Definition 2.1** [12]. Let  $X$  be a space of points (objects) with generic elements in  $X$  denoted by  $x$ ; then the neutrosophic set  $A$  (NS  $A$ ) is an object having the form

$$A = \{ \langle x: T_A(x), I_A(x), F_A(x) \rangle, x \in X \}$$

where the functions  $T, I, F: X \rightarrow ]^{-}0, 1^{+}[$  define respectively the a truth-membership function, an indeterminacy-membership function, and a falsity-membership function of the element  $x \in X$  to the set  $A$  with the condition

$$^{-}0 \leq T_A(x) + I_A(x) + F_A(x) \leq 3^{+} \quad (1)$$

The functions  $T_A(x), I_A(x)$  and  $F_A(x)$  are real standard or nonstandard subsets of  $]^{-}0, 1^{+}[$ .

Since it is difficult to apply NSs to practical problems, Wang et al. [16] introduced the concept of a SVNS, which is an instance of a NS and can be used in real scientific and engineering applications.

**Definition 2.2** [16]. Let  $X$  be a space of points (objects) with generic elements in  $X$  denoted by  $x$ . A single valued neutrosophic set  $A$  (SVNS  $A$ ) is characterized by truth-membership function  $T_A(x)$ , an indeterminacy-membership function  $I_A(x)$ , and a falsity-membership

function  $F_A(x)$ . For each point  $x$  in  $X$   $T_A(x), I_A(x), F_A(x) \in [0, 1]$ . A SVN  $A$  can be written as

$$A = \{ \langle x: T_A(x), I_A(x), F_A(x) \rangle, x \in X \} \tag{2}$$

**Definition 2.3 [6].** A fuzzy graph is a pair of functions  $G = (\sigma, \mu)$  where  $\sigma$  is a fuzzy subset of a non empty set  $V$  and  $\mu$  is a symmetric fuzzy relation on  $\sigma$ . i.e  $\sigma : V \rightarrow [0,1]$  and  $\mu: V \times V \rightarrow [0,1]$  such that  $\mu(uv) \leq \sigma(u) \wedge \sigma(v)$  for all  $u, v \in V$  where  $uv$  denotes the edge between  $u$  and  $v$  and  $\sigma(u) \wedge \sigma(v)$  denotes the minimum of  $\sigma(u)$  and  $\sigma(v)$ .  $\sigma$  is called the fuzzy vertex set of  $V$  and  $\mu$  is called the fuzzy edge set of  $E$ .

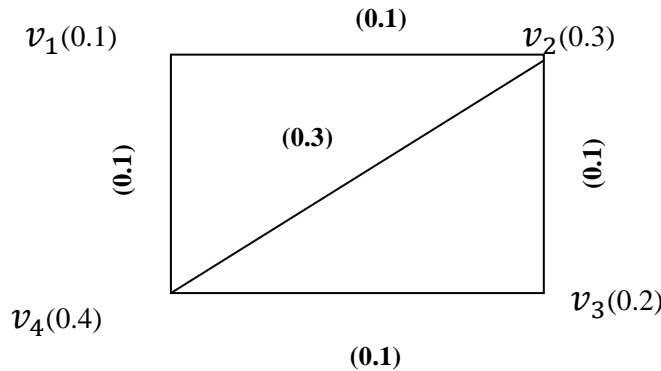


Figure 1: Fuzzy Graph

**Definition 2.4 [6].** The fuzzy subgraph  $H = (\tau, \rho)$  is called a fuzzy subgraph of  $G = (\sigma, \mu)$  if  $\tau(u) \leq \sigma(u)$  for all  $u \in V$  and  $\rho(u, v) \leq \mu(u, v)$  for all  $u, v \in V$ .

**Definition 2.5 [7].** An Intuitionistic fuzzy graph is of the form  $G = (V, E)$  where

- i.  $V = \{v_1, v_2, \dots, v_n\}$  such that  $\mu_1: V \rightarrow [0,1]$  and  $\gamma_1: V \rightarrow [0,1]$  denote the degree of membership and nonmembership of the element  $v_i \in V$ , respectively, and  $0 \leq \mu_1(v_i) + \gamma_1(v_i) \leq 1$  for every  $v_i \in V, (i = 1, 2, \dots, n)$ ,
- ii.  $E \subseteq V \times V$  where  $\mu_2: V \times V \rightarrow [0,1]$  and  $\gamma_2: V \times V \rightarrow [0,1]$  are such that  $\mu_2(v_i, v_j) \leq \min [\mu_1(v_i), \mu_1(v_j)]$  and  $\gamma_2(v_i, v_j) \geq \max [\gamma_1(v_i), \gamma_1(v_j)]$  and  $0 \leq \mu_2(v_i, v_j) + \gamma_2(v_i, v_j) \leq 1$  for every  $(v_i, v_j) \in E, (i, j = 1, 2, \dots, n)$

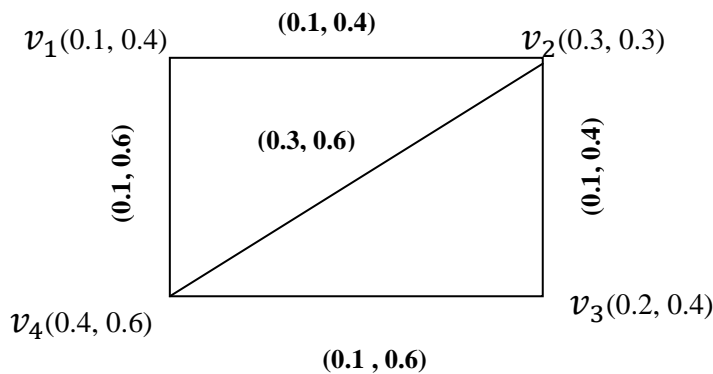


Figure 2: Intuitionistic Fuzzy Graph

**Definition 2.6 [31].** Let  $A = (T_A, I_A, F_A)$  and  $B = (T_B, I_B, F_B)$  be single valued neutrosophic sets on a set  $X$ . If  $A = (T_A, I_A, F_A)$  is a single valued neutrosophic relation on a set  $X$ , then  $A = (T_A, I_A, F_A)$  is called a single valued neutrosophic relation on  $B = (T_B, I_B, F_B)$  if

$$\begin{aligned} T_B(x, y) &\leq \min(T_A(x), T_A(y)) \\ I_B(x, y) &\geq \max(I_A(x), I_A(y)) \text{ and} \\ F_B(x, y) &\geq \max(F_A(x), F_A(y)) \text{ for all } x, y \in X. \end{aligned}$$

A single valued neutrosophic relation  $A$  on  $X$  is called symmetric if

$$\begin{aligned} T_A(x, y) &= T_A(y, x), \\ I_A(x, y) &= I_A(y, x), F_A(x, y) = F_A(y, x) \text{ and} \\ T_B(x, y) &= T_B(y, x), I_B(x, y) = I_B(y, x) \text{ and} \\ F_B(x, y) &= F_B(y, x) \text{ for all } x, y \in X. \end{aligned}$$

### 3. Single Valued Neutrosophic Graphs

Through this paper, we denote  $G^* = (V, E)$  a crisp graph, and  $G = (A, B)$  a single valued neutrosophic graph.

**Definition 3.1.** A single valued neutrosophic graph (SVN-graph) with underlying set  $V$  is defined to be a pair  $G = (A, B)$  where

1. The functions  $T_A: V \rightarrow [0, 1]$ ,  $I_A: V \rightarrow [0, 1]$  and  $F_A: V \rightarrow [0, 1]$  denote the degree of truth-membership, degree of indeterminacy-membership and falsity-membership of the element  $v_i \in V$ , respectively, and

$$0 \leq T_A(v_i) + I_A(v_i) + F_A(v_i) \leq 3 \text{ for all } v_i \in V (i=1, 2, \dots, n)$$

2. The functions  $T_B: E \subseteq V \times V \rightarrow [0, 1]$ ,  $I_B: E \subseteq V \times V \rightarrow [0, 1]$  and  $F_B: E \subseteq V \times V \rightarrow [0, 1]$  are defined by

$$\begin{aligned} T_B(\{v_i, v_j\}) &\leq \min [T_A(v_i), T_A(v_j)], \\ I_B(\{v_i, v_j\}) &\geq \max [I_A(v_i), I_A(v_j)] \text{ and} \\ F_B(\{v_i, v_j\}) &\geq \max [F_A(v_i), F_A(v_j)] \end{aligned}$$

Denotes the degree of truth-membership, indeterminacy-membership and falsity-membership of the edge  $(v_i, v_j) \in E$  respectively, where

$$0 \leq T_B(\{v_i, v_j\}) + I_B(\{v_i, v_j\}) + F_B(\{v_i, v_j\}) \leq 3 \text{ for all } \{v_i, v_j\} \in E (i, j = 1, 2, \dots, n)$$

We call  $A$  the single valued neutrosophic vertex set of  $V$ ,  $B$  the single valued neutrosophic edge set of  $E$ , respectively, Note that  $B$  is a symmetric single valued neutrosophic relation on  $A$ . We use the notation  $(v_i, v_j)$  for an element of  $E$ . Thus,  $G = (A, B)$  is a single valued neutrosophic graph of  $G^* = (V, E)$  if

$$T_B(v_i, v_j) \leq \min [T_A(v_i), T_A(v_j)],$$

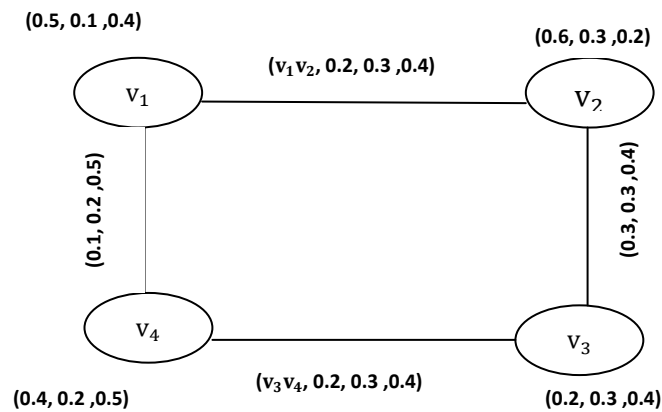
$$I_B(v_i, v_j) \geq \max [I_A(v_i), I_A(v_j)] \text{ and}$$

$$F_B(v_i, v_j) \geq \max [F_A(v_i), F_A(v_j)] \quad \text{for all } (v_i, v_j) \in E$$

**Example 3.2.** Consider a graph  $G^*$  such that  $V = \{v_1, v_2, v_3, v_4\}$ ,  $E = \{v_1v_2, v_2v_3, v_3v_4, v_4v_1\}$ . Let A be a single valued neutrosophic subset of V and let B a single valued neutrosophic subset of E denoted by

	$v_1$	$v_2$	$v_3$	$v_4$
$T_A$	0.5	0.6	0.2	0.4
$I_A$	0.1	0.3	0.3	0.2
$F_A$	0.4	0.2	0.4	0.5

	$v_1v_2$	$v_2v_3$	$v_3v_4$	$v_4v_1$
$T_B$	0.2	0.3	0.2	0.1
$I_B$	0.3	0.3	0.3	0.2
$F_B$	0.4	0.4	0.4	0.5



**Figure 3:** G: Single valued neutrosophic graph

In figure 3, (i)  $(v_1, 0.5, 0.1, 0.4)$  is a single valued neutrosophic vertex or SVN-vertex

(ii)  $(v_1v_2, 0.2, 0.3, 0.4)$  is a single valued neutrosophic edge or SVN-edge

(iii)  $(v_1, 0.5, 0.1, 0.4)$  and  $(v_2, 0.6, 0.3, 0.2)$  are single valued neutrosophic adjacent vertices.

(iv)  $(v_1v_2, 0.2, 0.3, 0.4)$  and  $(v_1v_4, 0.1, 0.2, 0.5)$  are a single valued neutrosophic adjacent edge.

**Note 1.** (i) When  $T_{Bij} = I_{Bij} = F_{Bij}$  for some i and j, then there is no edge between  $v_i$  and  $v_j$ .

Otherwise there exists an edge between  $v_i$  and  $v_j$ .

(ii) If one of the inequalities is not satisfied in (1) and (2), then G is not an SVNG

The single valued neutrosophic graph G depicted in figure 3 is represented by the following adjacency matrix  $M_G$

$$M_G = \begin{bmatrix} (0.5, 0.1, 0.4) & (0.2, 0.3, 0.4) & (0, 0, 0) & (0.1, 0.2, 0.5) \\ (0.2, 0.3, 0.4) & (0.6, 0.3, 0.2) & (0.3, 0.3, 0.4) & (0, 0, 0) \\ (0, 0, 0) & (0.3, 0.3, 0.4) & (0.2, 0.3, 0.4) & (0.2, 0.3, 0.4) \\ (0.1, 0.2, 0.5) & (0, 0, 0) & (0.2, 0.3, 0.4) & (0.4, 0.2, 0.5) \end{bmatrix}$$

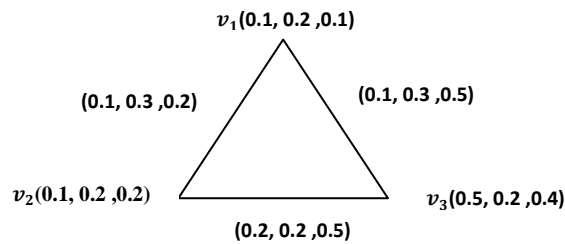
**Definition 3.3.** A partial SVN-subgraph of SVN-graph  $G=(A, B)$  is a SVN-graph  $H = (V', E')$  such that

- (i)  $V' \subseteq V$ , where  $T'_{Ai} \leq T_{Ai}$ ,  $I'_{Ai} \geq I_{Ai}$ ,  $F'_{Ai} \geq F_{Ai}$  for all  $v_i \in V$ .
- (ii)  $E' \subseteq E$ , where  $T'_{Bij} \leq T_{Bij}$ ,  $I'_{Bij} \geq I_{Bij}$ ,  $F'_{Bij} \geq F_{Bij}$  for all  $(v_i v_j) \in E$ .

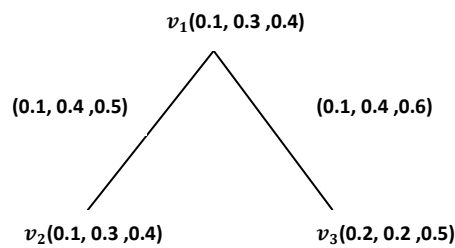
**Definition 3.4.** A SVN-subgraph of SVN-graph  $G=(V, E)$  is a SVN-graph  $H = (V', E')$  such that

- (i)  $V' = V$ , where  $T'_{Ai} = T_{Ai}$ ,  $I'_{Ai} = I_{Ai}$ ,  $F'_{Ai} = F_{Ai}$  for all  $v_i$  in the vertex set of  $V'$ .
- (ii)  $E' = E$ , where  $T'_{Bij} = T_{Bij}$ ,  $I'_{Bij} = I_{Bij}$ ,  $F'_{Bij} = F_{Bij}$  for every  $(v_i v_j) \in E$  in the edge set of  $E'$ .

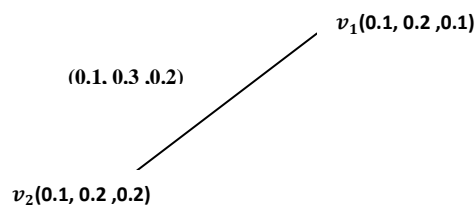
**Example 3.5.**  $G_1$  in Figure 4 is a SVN-graph .  $H_1$  in Figure 5 is a partial SVN-subgraph and  $H_2$  in Figure 6 is a SVN-subgraph of  $G_1$



**Figure 4:**  $G_1$ , a single valued neutrosophic graph



**Figure 5:**  $H_1$ , a partial SVN-subgraph of  $G_1$



**Figure 6:**  $H_2$ , a SVN-subgraph of  $G_1$ .

**Definition 3.6.** The two vertices are said to be adjacent in a single valued neutrosophic graph  $G=(\mathbf{A}, \mathbf{B})$  if  $T_B(v_i, v_j) = \min [T_A(v_i), T_A(v_j)]$ ,  $I_B(v_i, v_j) = \max [I_A(v_i), I_A(v_j)]$  and  $F_B(v_i, v_j) = \max [F_A(v_i), F_A(v_j)]$ . In this case,  $v_i$  and  $v_j$  are said to be neighbours and  $(v_i, v_j)$  is incident at  $v_i$  and  $v_j$  also.

**Definition 3.7.** A path  $P$  in a single valued neutrosophic graph  $G=(\mathbf{A}, \mathbf{B})$  is a sequence of distinct vertices  $v_0, v_1, v_3, \dots, v_n$  such that  $T_B(v_{i-1}, v_i) > 0$ ,  $I_B(v_{i-1}, v_i) > 0$  and  $F_B(v_{i-1}, v_i) > 0$  for  $0 \leq i \leq 1$ . Here  $n \geq 1$  is called the length of the path  $P$ . A single node or vertex  $v_i$  may also be considered as a path. In this case the path is of the length  $(0, 0, 0)$ . The consecutive pairs  $(v_{i-1}, v_i)$  are called edges of the path. We call  $P$  a cycle if  $v_0 = v_n$  and  $n \geq 3$ .

**Definition 3.8.** A single valued neutrosophic graph  $G=(\mathbf{A}, \mathbf{B})$  is said to be connected if every pair of vertices has at least one single valued neutrosophic path between them, otherwise it is disconnected.

**Definition 3.9.** A vertex  $v_j \in V$  of single valued neutrosophic graph  $G=(\mathbf{A}, \mathbf{B})$  is said to be an isolated vertex if there is no effective edge incident at  $v_j$ .

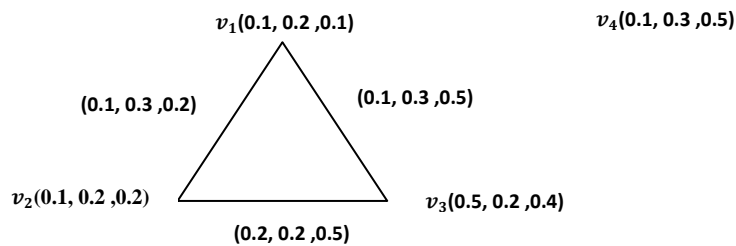


Figure 7: Example of single valued neutrosophic graph

In figure 7, the single valued neutrosophic vertex  $v_4$  is an isolated vertex.

**Definition 3.10.** A vertex in a single valued neutrosophic  $G=(\mathbf{A}, \mathbf{B})$  having exactly one neighbor is called a **pendent vertex**. Otherwise, it is called **non-pendent vertex**. An edge in a single valued neutrosophic graph incident with a pendent vertex is called a **pendent edge**. Otherwise it is called **non-pendent edge**. A vertex in a single valued neutrosophic graph adjacent to the pendent vertex is called a **support** of the pendent edge

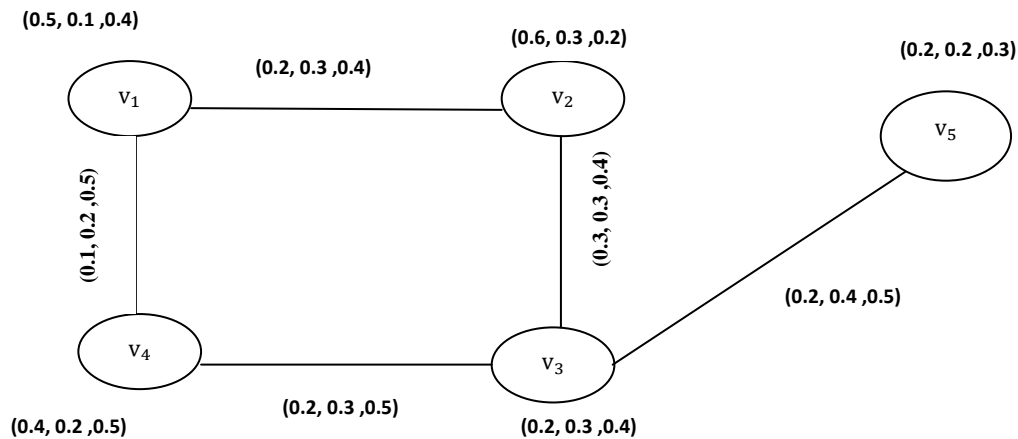


Figure 8 : Incident SVN-graph.

**Definition 3.11.** A single valued neutrosophic graph  $G = (A, B)$  that has neither self loops nor parallel edge is called **simple single valued neutrosophic graph**.

**Definition 3.12.** When a vertex  $v_i$  is end vertex of some edges  $(v_i, v_j)$  of any SVN-graph  $G = (A, B)$ . Then  $v_i$  and  $(v_i, v_j)$  are said to be **incident** to each other. **In Figure 8,  $v_2v_3$ ,  $v_3v_4$  and  $v_3v_5$  are incident on  $v_3$ .**

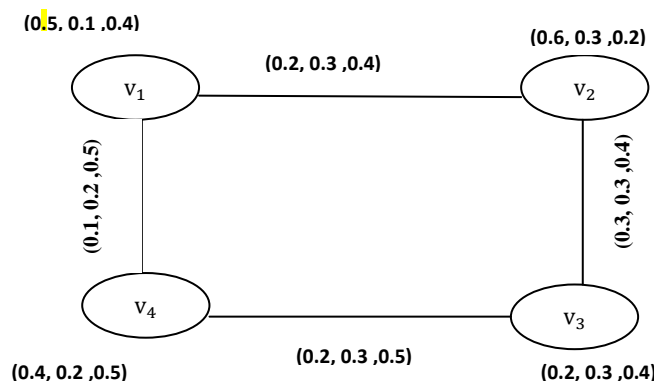
**Definition 3.13.** Let  $G = (A, B)$  be a single valued neutrosophic graph. Then the degree of any vertex  $v$  is sum of degree of truth-membership, sum of degree of indeterminacy-membership and sum of degree of falsity-membership of all those edges which are incident on vertex  $v$  denoted by  $d(v) = (d_T(v), d_I(v), d_F(v))$  where

$d_T(v) = \sum_{u \neq v} T_B(u, v)$  denotes degree of truth-membership vertex.

$d_I(v) = \sum_{u \neq v} I_B(u, v)$  denotes degree of indeterminacy-membership vertex.

$d_F(v) = \sum_{u \neq v} F_B(u, v)$  denotes degree of falsity-membership vertex.

**Example 3.14.** Let us consider a single valued neutrosophic graph  $G = (A, B)$  of  $G^* = (V, E)$  where  $V = \{v_1, v_2, v_3, v_4\}$  and  $E = \{v_1v_2, v_2v_3, v_3v_4, v_4v_1\}$ .

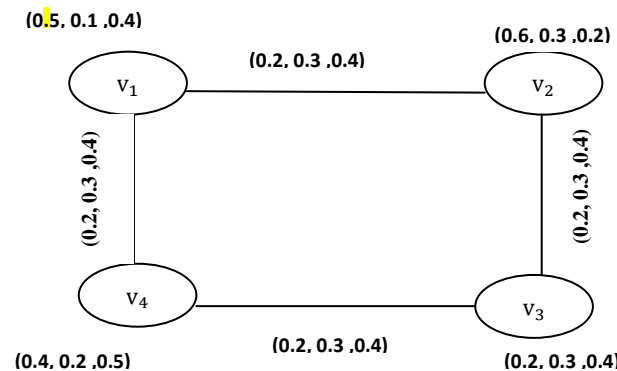


**Figure 9:** Degree of vertex of single valued neutrosophic graph

We have, the degree of each vertex as follows:

$$d(v_1) = (0.3, 0.5, 0.9), d(v_2) = (0.5, 0.6, 0.8), d(v_3) = (0.5, 0.6, 0.9), d(v_4) = (0.3, 0.5, 1)$$

**Definition 3.15 .** A single valued neutrosophic graph  $G = (A, B)$  is called constant if degree of each vertex is  $k = (k_1, k_2, k_3)$ . That is,  $d(v) = (k_1, k_2, k_3)$  for all  $v \in V$ .



**Figure 10:** Constant SVN-graph.



**Example 3.16.** Consider a single valued neutrosophic graph  $G$  such that  $V = \{v_1, v_2, v_3, v_4\}$  and  $E = \{v_1v_2, v_2v_3, v_3v_4, v_4v_1\}$ .

Clearly, as it is seen in Figure 10,  $G$  is constant SVN-graph since the degree of  $v_1, v_2, v_3$  and  $v_4$  is  $(0.4, 0.6, 0.8)$ .

**Definition 3.17.** A single valued neutrosophic graph  $G=(A, B)$  of  $G^* = (V, E)$  is called strong single valued neutrosophic graph if

$$T_B(v_i, v_j) = \min [T_A(v_i), T_A(v_j)]$$

$$I_B(v_i, v_j) = \max [I_A(v_i), I_A(v_j)]$$

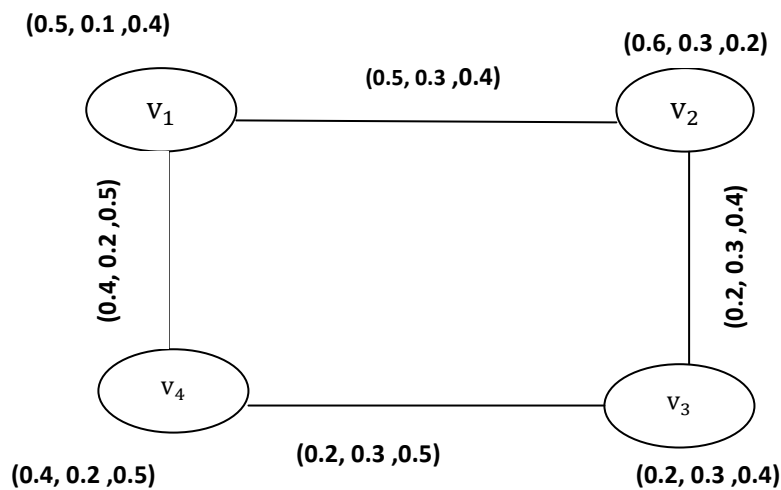
$$F_B(v_i, v_j) = \max [F_A(v_i), F_A(v_j)]$$

For all  $(v_i, v_j) \in E$ .

**Example 3.18.** Consider a graph  $G^*$  such that  $V = \{v_1, v_2, v_3, v_4\}$ ,  $E = \{v_1v_2, v_2v_3, v_3v_4, v_4v_1\}$ . Let  $A$  be a single valued neutrosophic subset of  $V$  and let  $B$  a single valued neutrosophic subset of  $E$  denoted by

	$v_1$	$v_2$	$v_3$	$v_4$
$T_A$	0.5	0.6	0.2	0.4
$I_A$	0.1	0.3	0.3	0.2
$F_A$	0.4	0.2	0.4	0.5

	$v_1v_2$	$v_2v_3$	$v_3v_4$	$v_4v_1$
$T_B$	0.5	0.2	0.2	0.4
$I_B$	0.3	0.3	0.3	0.2
$F_B$	0.4	0.4	0.5	0.5



**Figure 11:** Strong SVN-graph

By routing computations, it is easy to see that  $G$  is a strong single valued neutrosophic of  $G^*$ .

**Proposition 3.19.** A single valued neutrosophic graph is the generalization of fuzzy graph

**Proof:** Suppose  $G = (V, E)$  be a single valued neutrosophic graph. Then by setting the indeterminacy- membership and falsity- membership values of vertex set and edge set equals to zero reduces the single valued neutrosophic graph to fuzzy graph.

**Proposition 3.20.** A single valued neutrosophic graph is the generalization of intuitionistic fuzzy graph.

**Proof:** Suppose  $G = (V, E)$  be a single valued neutrosophic graph. Then by setting the indeterminacy- membership value of vertex set and edge set equals to zero reduces the single valued neutrosophic graph to intuitionistic fuzzy graph.

**Definition 3.21.** The complement of a single valued neutrosophic graph  $G(A, B)$  on  $G^*$  is a single valued neutrosophic graph  $\bar{G}$  on  $G^*$  where:

1.  $\bar{A} = A$
2.  $\bar{T}_A(v_i) = T_A(v_i)$ ,  $\bar{I}_A(v_i) = I_A(v_i)$ ,  $\bar{F}_A(v_i) = F_A(v_i)$ , for all  $v_j \in V$ .
3.  $\bar{T}_B(v_i, v_j) = \min [T_A(v_i), T_A(v_j)] - T_B(v_i, v_j)$   
 $\bar{I}_B(v_i, v_j) = \max [I_A(v_i), I_A(v_j)] - I_B(v_i, v_j)$  and  
 $\bar{F}_B(v_i, v_j) = \max [F_A(v_i), F_A(v_j)] - F_B(v_i, v_j)$ , For all  $(v_i, v_j) \in E$

**Remark 3.22.** if  $G = (V, E)$  is a single valued neutrosophic graph on  $G^*$ . Then from above definition, it follow that  $\bar{G}$  is given by the single valued neutrosophic graph  $\bar{G} = (\bar{V}, \bar{E})$  on  $G^*$  where

$$\bar{V} = V \text{ and } \bar{T}_B(v_i, v_j) = \min [T_A(v_i), T_A(v_j)] - T_B(v_i, v_j),$$

$$\bar{I}_B(v_i, v_j) = \max [I_A(v_i), I_A(v_j)] - I_B(v_i, v_j), \text{ and}$$

$$\bar{F}_B(v_i, v_j) = \max [F_A(v_i), F_A(v_j)] - F_B(v_i, v_j) \text{ For all } (v_i, v_j) \in E.$$

Thus  $\bar{T}_B = T_B$ ,  $\bar{I}_B = I_B$ , and  $\bar{F}_B = F_B$  on  $V$ , where  $E = (T_B, I_B, F_B)$  is the single valued neutrosophic relation on  $V$ . For any single valued neutrosophic graph  $G$ ,  $\bar{G}$  is strong single valued neutrosophic graph and  $G \subseteq \bar{G}$ .

**Proposition 3.23.**  $G = \bar{G}$  if and only if  $G$  is a strong single valued neutrosophic graph.

**Proof.** it is obvious.

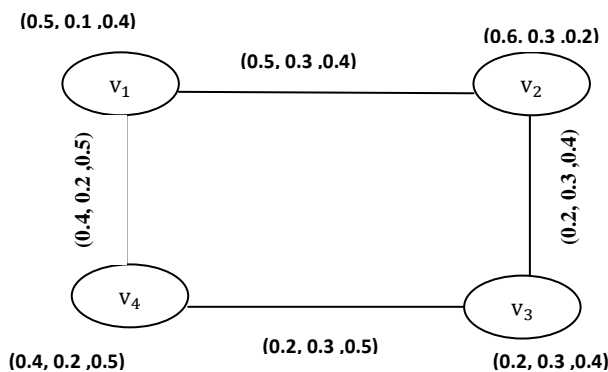


Figure 12:  $G$ : Strong SVN- graph

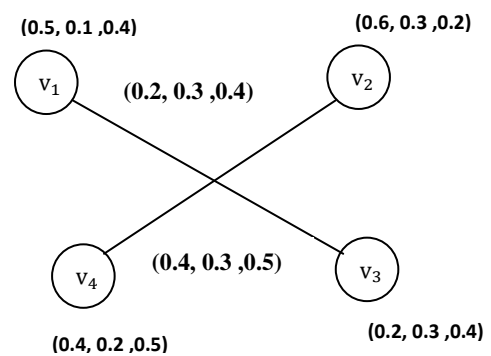


Figure 13:  $\bar{G}$  Strong SVN- graph

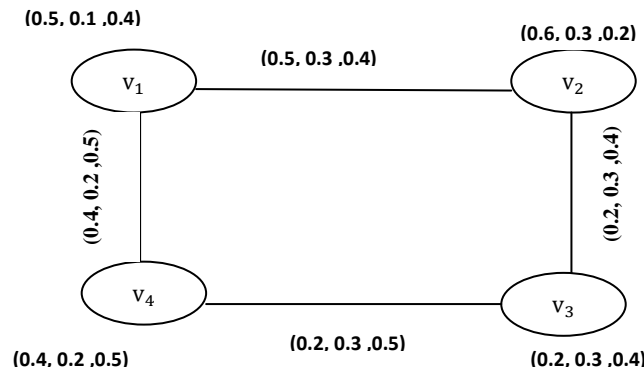


Figure 14:  $\bar{G}$  Strong SVN- graph

**Definition 3.24.** A strong single valued neutrosophic graph  $G$  is called self complementary if  $G \cong \bar{G}$ . Where  $\bar{G}$  is the complement of single valued neutrosophic graph  $G$ .

**Example 3.25.** Consider a graph  $G^* = (V, E)$  such that  $V = \{v_1, v_2, v_3, v_4\}$ ,  $E = \{v_1v_2, v_2v_3, v_3v_4, v_1v_4\}$ . Consider a single valued neutrosophic graph  $G$  as in Figure 12 and 13,

Clearly, as it is seen in Figure 14,  $G \cong \bar{G}$ . Hence  $G$  is self complementary.

**Proposition 3.26.** Let  $G=(A, B)$  be a **strong** single valued neutrosophic graph. If

$$T_B(v_i, v_j) = \min [T_A(v_i), T_A(v_j)],$$

$$I_B(v_i, v_j) = \max [I_A(v_i), I_A(v_j)] \text{ and}$$

$$F_B(v_i, v_j) = \max [F_A(v_i), F_A(v_j)] \text{ for all } v_i, v_j \in V.$$

Then  $G$  is self complementary.

**Proof.** Let  $G=(A, B)$  be a strong single valued neutrosophic graph such that

$$T_B(v_i, v_j) = \min [T_A(v_i), T_A(v_j)]$$

$$I_B(v_i, v_j) = \max [I_A(v_i), I_A(v_j)]$$

$$F_B(v_i, v_j) = \max [F_A(v_i), F_A(v_j)]$$

For all  $v_i, v_j \in V$ . Then  $G \approx \bar{G}$  under the identity map  $I: V \rightarrow V$ . Hence  $G$  is self complementary .

**Proposition 3.27.** Let  $G$  be a self complementary single valued neutrosophic graph. Then

$$\sum_{v_i \neq v_j} T_B(v_i, v_j) = \frac{1}{2} \sum_{v_i \neq v_j} \min [T_A(v_i), T_A(v_j)]$$

$$\sum_{v_i \neq v_j} I_B(v_i, v_j) = \frac{1}{2} \sum_{v_i \neq v_j} \max [I_A(v_i), I_A(v_j)]$$

$$\sum_{v_i \neq v_j} F_B(v_i, v_j) = \frac{1}{2} \sum_{v_i \neq v_j} \max [F_A(v_i), F_A(v_j)]$$

**Proof.** If  $G$  be a self complementary single valued neutrosophic graph. Then there exist an isomorphism  $f: V_1 \rightarrow V_1$  satisfying

$$\begin{aligned} \overline{T_{V_1}}(f(v_i)) &= T_{V_1}(f(v_i)) = T_{V_1}(v_i) \\ \overline{I_{V_1}}(f(v_i)) &= I_{V_1}(f(v_i)) = I_{V_1}(v_i) \\ \overline{F_{V_1}}(f(v_i)) &= F_{V_1}(f(v_i)) = F_{V_1}(v_i) \quad \text{for all } v_i \in V_1. \end{aligned}$$

And

$$\begin{aligned} \overline{T_{E_1}}(f(v_i), f(v_j)) &= T_{E_1}(f(v_i), f(v_j)) = T_{E_1}(v_i, v_j) \\ \overline{I_{E_1}}(f(v_i), f(v_j)) &= I_{E_1}(f(v_i), f(v_j)) = I_{E_1}(v_i, v_j) \\ \overline{F_{E_1}}(f(v_i), f(v_j)) &= F_{E_1}(f(v_i), f(v_j)) = F_{E_1}(v_i, v_j) \quad \text{for all } (v_i, v_j) \in E_1 \end{aligned}$$

We have

$$\begin{aligned} \overline{T_{E_1}}(f(v_i), f(v_j)) &= \min [\overline{T_{V_1}}(f(v_i)), \overline{T_{V_1}}(f(v_j))] - T_{E_1}(f(v_i), f(v_j)) \\ \text{i.e., } T_{E_1}(v_i, v_j) &= \min [T_{V_1}(v_i), T_{V_1}(v_j)] - T_{E_1}(f(v_i), f(v_j)) \\ T_{E_1}(v_i, v_j) &= \min [T_{V_1}(v_i), T_{V_1}(v_j)] - T_{E_1}(v_i, v_j) \end{aligned}$$

That is

$$\begin{aligned} \sum_{v_i \neq v_j} T_{E_1}(v_i, v_j) + \sum_{v_i \neq v_j} T_{E_1}(v_i, v_j) &= \sum_{v_i \neq v_j} \min [T_{V_1}(v_i), T_{V_1}(v_j)] \\ \sum_{v_i \neq v_j} I_{E_1}(v_i, v_j) + \sum_{v_i \neq v_j} I_{E_1}(v_i, v_j) &= \sum_{v_i \neq v_j} \max [I_{V_1}(v_i), I_{V_1}(v_j)] \\ \sum_{v_i \neq v_j} F_{E_1}(v_i, v_j) + \sum_{v_i \neq v_j} F_{E_1}(v_i, v_j) &= \sum_{v_i \neq v_j} \max [F_{V_1}(v_i), F_{V_1}(v_j)] \\ 2 \sum_{v_i \neq v_j} T_{E_1}(v_i, v_j) &= \sum_{v_i \neq v_j} \min [T_{V_1}(v_i), T_{V_1}(v_j)] \\ 2 \sum_{v_i \neq v_j} I_{E_1}(v_i, v_j) &= \sum_{v_i \neq v_j} \max [I_{V_1}(v_i), I_{V_1}(v_j)] \\ 2 \sum_{v_i \neq v_j} F_{E_1}(v_i, v_j) &= \sum_{v_i \neq v_j} \max [F_{V_1}(v_i), F_{V_1}(v_j)] \end{aligned}$$

From these equations, Proposition 3.27 holds

**Proposition 3.28.** Let  $G_1$  and  $G_2$  be strong single valued neutrosophic graph,  $\overline{G_1} \approx \overline{G_2}$  (isomorphism)

**Proof.** Assume that  $G_1$  and  $G_2$  are isomorphic, there exist a bijective map  $f: V_1 \rightarrow V_2$  satisfying

$$\begin{aligned} T_{V_1}(v_i) &= T_{V_2}(f(v_i)), \\ I_{V_1}(v_i) &= I_{V_2}(f(v_i)), \\ F_{V_1}(v_i) &= F_{V_2}(f(v_i)) \quad \text{for all } v_i \in V_1. \end{aligned}$$

And

$$\begin{aligned} T_{E_1}(v_i, v_j) &= T_{E_2}(f(v_i), f(v_j)), \\ I_{E_1}(v_i, v_j) &= I_{E_2}(f(v_i), f(v_j)), \\ F_{E_1}(v_i, v_j) &= F_{E_2}(f(v_i), f(v_j)) \quad \text{for all } (v_i, v_j) \in E_1 \end{aligned}$$

By definition 3.21, we have

$$\begin{aligned} \overline{T}_{E_1}(v_i, v_j) &= \min [T_{V_1}(v_i), T_{V_1}(v_j)] - T_{E_1}(v_i, v_j) \\ &= \min [T_{V_2}(f(v_i)), T_{V_2}(f(v_j))] - T_{E_2}(f(v_i), f(v_j)), \\ &= \overline{T}_{E_2}(f(v_i), f(v_j)), \end{aligned}$$

$$\begin{aligned} \overline{I}_{E_1}(v_i, v_j) &= \max [I_{V_1}(v_i), I_{V_1}(v_j)] - I_{E_1}(v_i, v_j) \\ &= \max [I_{V_2}(f(v_i)), I_{V_2}(f(v_j))] - I_{E_2}(f(v_i), f(v_j)), \\ &= \overline{I}_{E_2}(f(v_i), f(v_j)), \end{aligned}$$

$$\begin{aligned} \overline{F}_{E_1}(v_i, v_j) &= \min [F_{V_1}(v_i), F_{V_1}(v_j)] - F_{E_1}(v_i, v_j) \\ &= \min [F_{V_2}(f(v_i)), F_{V_2}(f(v_j))] - F_{E_2}(f(v_i), f(v_j)), \\ &= \overline{F}_{E_2}(f(v_i), f(v_j)), \end{aligned}$$

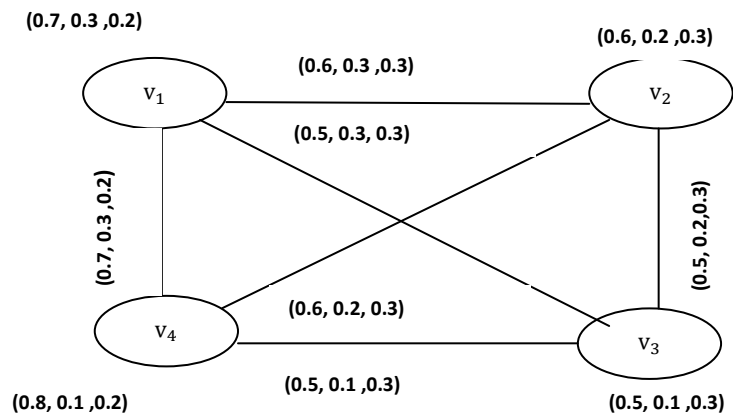
For all  $(v_i, v_j) \in E_1$ . Hence  $\overline{G}_1 \approx \overline{G}_2$ . The converse is straightforward.

### 4. Complete Single Valued Neutrosophic Graphs

For the sake of simplicity we denote  $T_A(v_i)$  by  $T_{Ai}$ ,  $I_A(v_i)$  by  $I_{Ai}$ , and  $F_A(v_i)$  by  $F_{Ai}$ . Also  $T_B(v_i, v_j)$  by  $T_{Bij}$ ,  $I_B(v_i, v_j)$  by  $I_{Bij}$  and  $F_B(v_i, v_j)$  by  $F_{Bij}$ .

**Definition 4.1.** A single valued neutrosophic graph  $G=(A, B)$  is called complete if  $T_{Bij} = \min(T_{Ai}, T_{Aj})$ ,  $I_{Bij} = \max(I_{Ai}, I_{Aj})$  and  $F_{Bij} = \max(F_{Ai}, F_{Aj})$  for all  $v_i, v_j \in V$ .

**Example 4.2.** Consider a graph  $G^* = (V, E)$  such that  $V = \{v_1, v_2, v_3, v_4\}$ ,  $E = \{v_1v_2, v_1v_3, v_2v_3, v_1v_4, v_3v_4, v_2v_4\}$ . Then  $G=(A, B)$  is a complete single valued neutrosophic graph of  $G^*$ .



**Figure 13:** Complete single valued neutrosophic graph

**Definition 4.3.** The complement of a complete single valued neutrosophic graph  $G=(A, B)$  of  $G^*=(V, E)$  is a single valued neutrosophic complete graph  $\overline{G}=(\overline{A}, \overline{B})$  on  $G^*=(V, \overline{E})$  where

1.  $\overline{V} = V$
2.  $\overline{T}_A(v_i) = T_A(v_i)$ ,  $\overline{I}_A(v_i) = I_A(v_i)$ ,  $\overline{F}_A(v_i) = F_A(v_i)$ , for all  $v_j \in V$ .
3.  $\overline{T}_B(v_i, v_j) = \min [T_A(v_i), T_A(v_j)] - T_B(v_i, v_j)$

$$\begin{aligned}\bar{I}_B(v_i, v_j) &= \max [I_A(v_i), I_A(v_j)] - I_B(v_i, v_j) \text{ and} \\ \bar{F}_B(v_i, v_j) &= \max [F_A(v_i), F_A(v_j)] - F_B(v_i, v_j) \text{ for all } (v_i, v_j) \in E\end{aligned}$$

**Proposition 4.4.** The complement of complete SVN-graph is a SVN-graph with no edge. Or if G is a complete then in  $\bar{G}$  the edge is empty.

**Proof.** Let  $G = (A, B)$  be a complete SVN-graph. So

$$T_{Bij} = \min(T_{Ai}, T_{Aj}), I_{Bij} = \max(I_{Ai}, I_{Aj}) \text{ and } F_{Bij} = \max(F_{Ai}, F_{Aj}) \text{ for all } v_i, v_j \in V$$

Hence in  $\bar{G}$ ,

$$\begin{aligned}\bar{T}_{Bij} &= \min [T_{Ai}, T_{Aj}] - T_{Bij} \text{ for all } i, j, \dots, n \\ &= \min [T_{Ai}, T_{Aj}] - \min [T_{Ai}, T_{Aj}] \text{ for all } i, j, \dots, n \\ &= 0 \quad \text{for all } i, j, \dots, n\end{aligned}$$

and

$$\begin{aligned}\bar{I}_{Bij} &= \max [I_{Ai}, I_{Aj}] - I_{Bij} \text{ for all } i, j, \dots, n \\ &= \max [I_{Ai}, I_{Aj}] - \max [I_{Ai}, I_{Aj}] \text{ for all } i, j, \dots, n \\ &= 0 \quad \text{for all } i, j, \dots, n\end{aligned}$$

Also

$$\begin{aligned}\bar{F}_{Bij} &= \max [F_{Ai}, F_{Aj}] - F_{Bij} \text{ for all } i, j, \dots, n \\ &= \max [F_{Ai}, F_{Aj}] - \max [F_{Ai}, F_{Aj}] \text{ for all } i, j, \dots, n \\ &= 0 \quad \text{for all } i, j, \dots, n\end{aligned}$$

Thus  $(\bar{T}_{Bij}, \bar{I}_{Bij}, \bar{F}_{Bij}) = (0, 0, 0)$

Hence, the edge set of  $\bar{G}$  is empty if G is a complete SVN-graph.

## 4. Conclusion

Neutrosophic sets is a generalization of the notion of fuzzy sets and intuitionistic fuzzy sets. Neutrosophic models gives more precisions, flexibility and compatibility to the system as compared to the classical, fuzzy and/or intuitionistic fuzzy models. In this paper, we have introduced certain types of single valued neutrosophic graphs, such as strong single valued neutrosophic graph, constant single valued neutrosophic graph and complete single valued neutrosophic graphs. In future study, we plan to extend our research to regular and irregular single valued neutrosophic graphs, bipolar single valued neutrosophic graphs, interval valued neutrosophic graphs, strong interval valued neutrosophic, regular and irregular interval valued neutrosophic.

## References

1. A. V. Devadoss, A. Rajkumar & N. J. P .Praveena, A Study on Miracles through Holy Bible using Neutrosophic Cognitive Maps (NCMS). International Journal of Computer Applications, 69(3) (2013).

2. A. Aydoğdu, On Similarity and Entropy of Single Valued Neutrosophic Sets, Gen. Math. Notes, Vol. 29, No. 1, July 2015, pp. 67-74.
3. A. Q. Ansari, R. Biswas & S. Aggarwal, (2012). Neutrosophic classifier: An extension of fuzzy classifier. Elsevier- *Applied Soft Computing*, 13 (2013) 563-573, <http://dx.doi.org/10.1016/j.asoc.2012.08.002>
4. A. Q. Ansari, R. Biswas & S. Aggarwal. (Poster Presentation) Neutrosophication of Fuzzy Models, IEEE Workshop On Computational Intelligence: Theories, Applications and Future Directions (hosted by IIT Kanpur), 14th July'13.
5. A. Q. Ansari, R. Biswas & S. Aggarwal Extension to fuzzy logic representation: Moving towards neutrosophic logic - A new laboratory rat, Fuzzy Systems (FUZZ), 2013 IEEE International Conference, 1–8, DOI:10.1109/FUZZ-IEEE.2013.6622412.
6. A. Nagoor Gani . and M. Basheer Ahamed, Order and Size in Fuzzy Graphs, Bulletin of Pure and Applied Sciences, Vol 22E (No.1) 2003; p.145-148.
7. A. Nagoor Gani. A and S. Shajitha Begum, Degree, Order and Size in Intuitionistic Fuzzy Graphs, International Journal of Algorithms, Computing and Mathematics, (3)3 (2010).
8. A. Nagoor Gani and S.R Latha, On Irregular Fuzzy Graphs, Applied Mathematical Sciences, Vol.6, 2012, no.11,517-523.
9. F. Smarandache. Refined Literal Indeterminacy and the Multiplication Law of Sub-Indeterminacies, Neutrosophic Sets and Systems, Vol. 9, 58-2015,
10. F. Smarandache, *Types of Neutrosophic Graphs and neutrosophic Algebraic Structures together with their Applications in Technology*, seminar, Universitatea Transilvania din Brasov, Facultatea de Design de Produs si Mediu, Brasov, Romania 06 June 2015.
11. F. Smarandache, *Symbolic Neutrosophic Theory*, Europanova asbl, Brussels, 195p, 2015.
12. F. Smarandache , Neutrosophic set - a generalization of the intuitionistic fuzzy set, Granular Computing, 2006 IEEE International Conference, 38 – 42, 2006, DOI: 10.1109/GRC.2006.1635754.
13. F. Smarandache, A geometric interpretation of the neutrosophic set — A generalization of the intuitionistic fuzzy set Granular Computing (GrC), 2011 IEEE International Conference , 602 – 606, 2011, DOI 10.1109/GRC.2011.6122665.
14. Gaurav Garg, Kanika Bhutani, Megha Kumar and Swati Aggarwal, *Hybrid model for medical diagnosis using Neutrosophic Cognitive Maps with Genetic Algorithms*, FUZZ-IEEE 2015 (IEEE International conference on fuzzy systems).
15. H .Wang,. Y. Zhang, R. Sunderraman, Truth-value based interval neutrosophic sets, Granular Computing, 2005 IEEE International Conference , P274 - 277 Vol. 1, 2005 DOI: 10.1109/GRC.2005.1547284.
16. H. Wang, F. Smarandache, Y. Zhang, and R. Sunderraman, Single valued Neutrosophic Sets, Multispace and Multistructure 4 (2010) 410-413.
17. I. Deli, M. Ali, F. Smarandache , Bipolar neutrosophic sets and their application based on multi-criteria decision making problems, Advanced Mechatronic Systems (ICAMEchS), 2015 International Conference, 249 - 254, DOI: 10.1109/ICAMEchS.2015.7287068.
18. I. Turksen, Interval valued fuzzy sets based on normal forms, Fuzzy Sets and Systems, vol. 20, p. 191-210 (1986).
19. J. Ye, vector similarity measures of simplified neutrosophic sets and their application in multicriteria decision making, *International Journal of Fuzzy Systems*, Vol. 16, No. 2, p.204-211 ( 2014).
20. J. Ye, Single-Valued Neutrosophic Minimum Spanning Tree and Its Clustering Method, *Journal of Intelligent Systems* 23(3): 311–324, (2014).
21. K. Atanassov, “Intuitionistic fuzzy sets,” *Fuzzy Sets and Systems*, vol. 20, p. 87-96 (1986).
22. K. Atanassov and G. Gargov, “Interval valued intuitionistic fuzzy sets,” *Fuzzy Sets and Systems*, vol.31, pp. 343-349 (1989).
23. K. Atanassov. *Intuitionistic fuzzy sets: theory and applications*. Physica, New York, 1999.
24. L. Zadeh, Fuzzy sets, *Inform and Control*, 8(1965), 338-353

25. P. Bhattacharya, Some remarks on fuzzy graphs, Pattern Recognition Letters 6: 297-302, 1987.
26. R. Parvathi and M. G. Karunambigai, Intuitionistic Fuzzy Graphs, Computational Intelligence, Theory and applications, International Conference in Germany, Sept 18 -20, 2006.
27. R. Rıdvan, A. Küçük, Subsethood measure for single valued neutrosophic sets, Journal of Intelligent & Fuzzy Systems, vol. 29, no. 2, pp. 525-530, 2015,DOI: 10.3233/IFS-141304
28. S. Aggarwal, R. Biswas, A. Q. Ansari, Neutrosophic modeling and control , Computer and Communication Technology (ICCCT), 2010 International Conference , 718 – 723, DOI:10.1109/ICCCT.2010.5640435
29. S. Broumi, F. Smarandache, New distance and similarity measures of interval neutrosophic sets, Information Fusion (FUSION), 2014 IEEE 17th International Conference, 2014,p 1 – 7.
30. S. Broumi, F. Smarandache, Single valued neutrosophic trapezoid linguistic aggregation operators based multi-attribute decision making, Bulletin of Pure & Applied Sciences-Mathematics and Statistics,(2014)135-155, DOI : 10.5958/2320-3226.2014.00006.X
31. S. Broumi, M. Talea, F. Smarandache, Single Valued Neutrosophic Graphs: Degree, Order and Size, IEEE WCCI 2016, under process.
32. Y. Hai-Long, G. She, Yanhonge, L. Xiuwu, On single valued neutrosophic relations, Journal of Intelligent & Fuzzy Systems, vol. Preprint, no. Preprint, p. 1-12 (2015)
33. W. B. Vasantha Kandasamy and F. Smarandache, Fuzzy Cognitive Maps and Neutrosophic Congtive Maps,2013.
34. W. B. Vasantha Kandasamy, K. Ilanthenral and Florentin Smarandache, Neutrosophic Graphs: A New Dimension to Graph Theory, Kindle Edition, 2015.
35. W.B. Vasantha Kandasamy and F. Smarandache “Analysis of social aspects of migrant laborers living with HIV/AIDS using Fuzzy Theory and Neutrosophic Cognitive Maps”, Xiquan, Phoenix (2004).