

SAFETY BY DESIGN: SbD - from philosophy to application.

Andrew Nelson, University of Leeds, UK

16 November

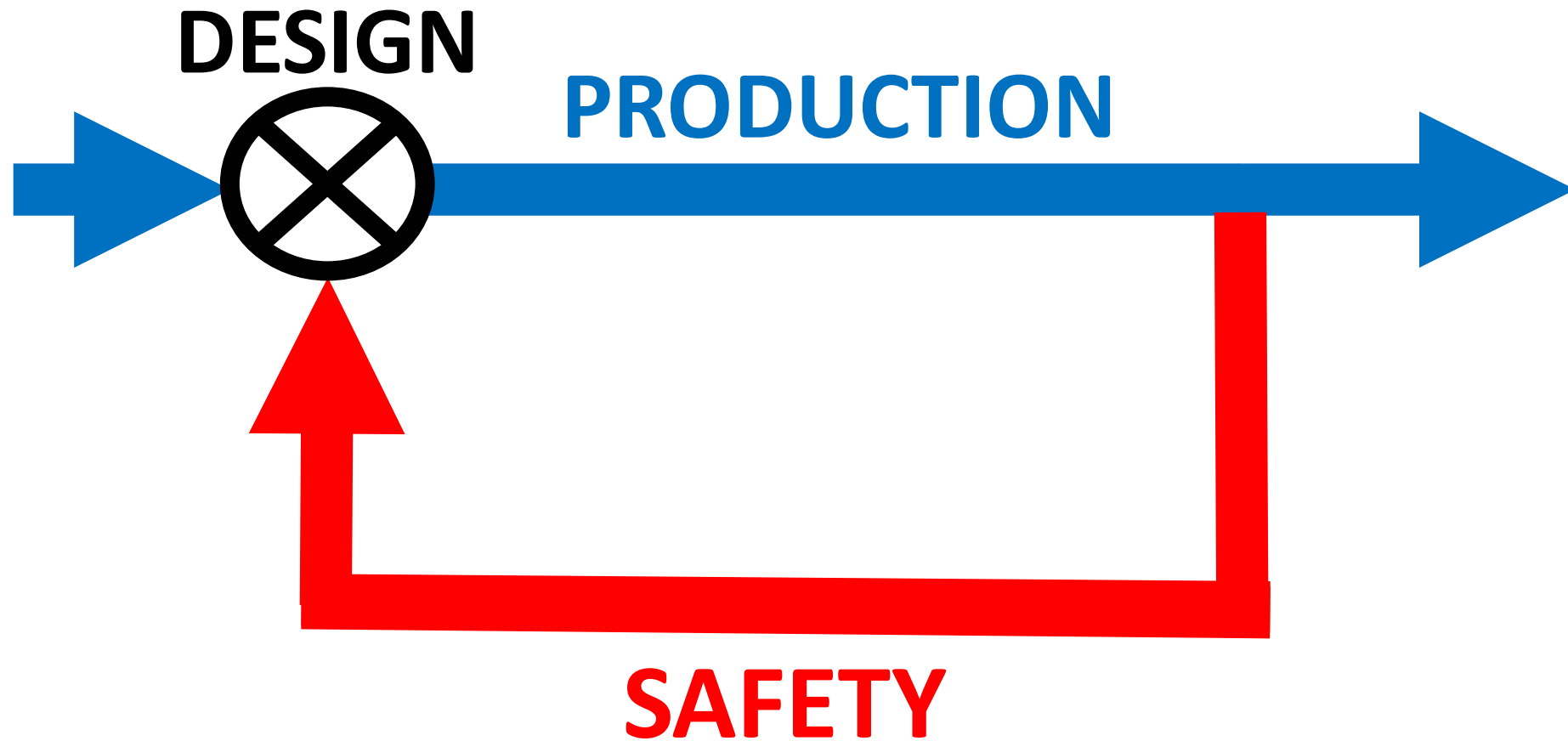


TWO CONCEPTS IN SAFETY MANAGEMENT

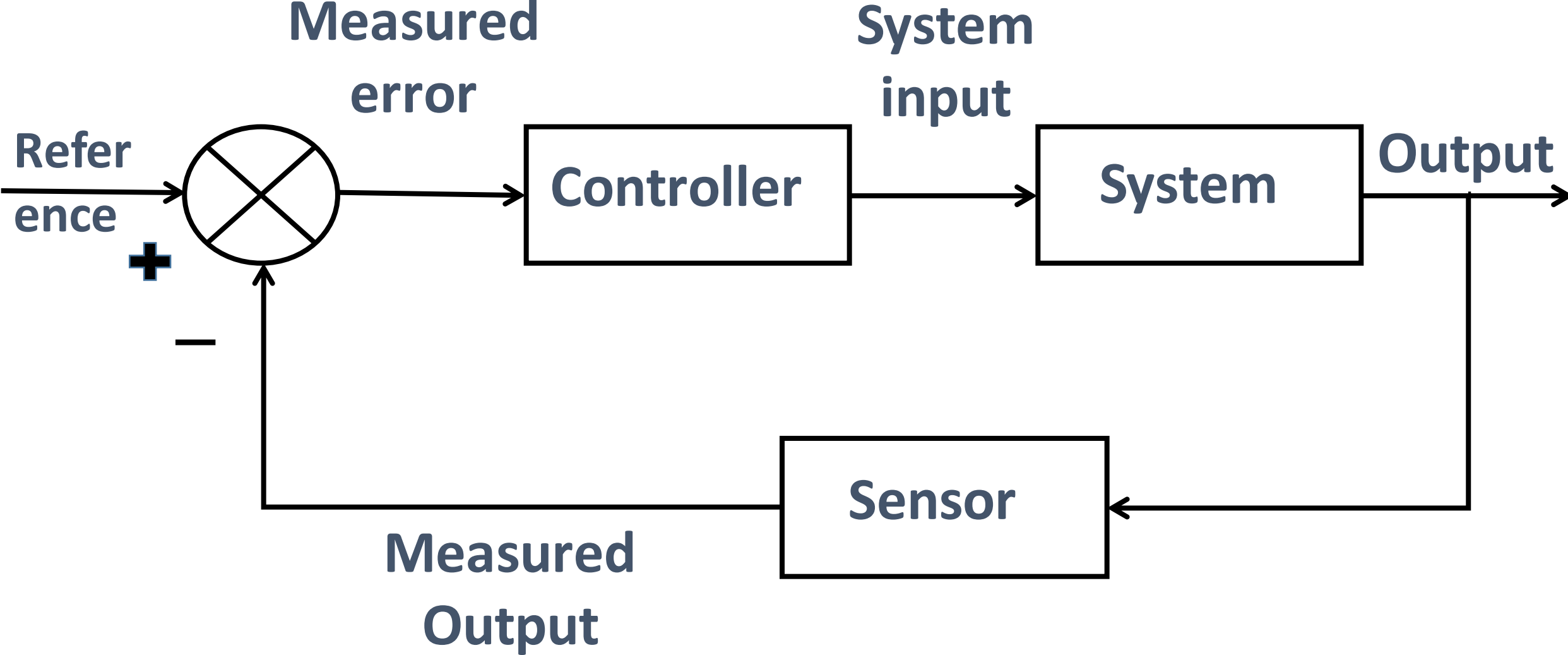
1. Control, based on received evidence ie Safety by Design: examples “environmental quality objectives (EQOs)”.

2. Precautionary principle: banning all potentially toxic exposure because it *might* be hazardous.

SAFETY BY DESIGN :EVIDENCE BASED DECISION (EBD) AND IS UNDERWRITTEN BY CONTROL SYSTEM TECHNOLOGY



SbD applied to NM production



SAFETY BY DESIGN

Safety by design operates at various levels

At the highest level it involves continuous dialogue between providers and regulators throughout the production process

At the reductionist level SbD takes many of its ideas from drug discovery development (DDD) and this is where there are real challenges for innovation

SbD applied to H and S: SABYDOMA approach

