



Mobile Technologies applied to protect victims of a crime within the EU Area of Justice: RightsApp for e-Justice

D3.2 RightsApp Android application

Project Acronym	RightsApp
Project Title	Mobile Technologies applied to protect victims of a crime within the EU Area of Justice: RightsApp for e-Justice
Grant Agreement	785854
Funding Scheme	JUST-AG-2017/JUST-JACC-EJU-AG-2017
Starting date (Duration)	01.03.2018 (24 months)
Project Website	http://rightsapp-project.eu
Coordinator	Jorge Gonzalez-Conejero
Responsible Author(s)	Jorge Gonzalez-Conejero
Contributor(s)	Emma Teodoro (IDT-UAB), Rebeca Varela (IDT-UAB), Cristiana Teixeira Santos and Pompeu Casanovas (IDT-UAB)
Review Version	V5 Final
Nature	Demonstrator
Dissemination level	Public
Document DOI	10.5281/zenodo.3263897
Date	30.06.2019 (M15)



This deliverable was funded by the European Union's Justice Programme (2014-2020)

Version	Modification(s)	Date	Author/Institution
1	Structure and contents for all sections	17/06/2019	Jorge Gonzalez-Conejero (IDT-UAB)
2	Translations to Italian	21/06/2019	Rebeca Varela (IDT-UAB)
3	Translations to Portuguese	21/06/2019	Cristiana Teixeira Santos
4	Translations to English	21/06/2019	Emma Teodoro (IDT-UAB)
5	Proof-reading	28/06/2019	Pompeu Casanovas (IDT-UAB)

ACRONYMS LIST:

API: Application Programming Interface
EU: European Union
IDE: Integrated Development Environment

EXECUTIVE SUMMARY

This document provides a report on the Android version of the RightsApp app. It includes the updated implemented in questionnaire, answers, particles and decision tree; some app development details and how the app will be published (source code and to install it in Android devices).

TABLE OF CONTENTS

1	Introduction.....	6
2	Updates	7
2.1	Terms and conditions.....	7
2.2	Decision tree	9
2.3	Questionnaire & Answers	10
2.4	Particles & Tags	11
3	App details.....	19
3.1	How to use the app	19
3.2	About us	20
3.3	Development details	20
3.3.1	Technical details	20
3.3.2	Screenshots of the app	21
4	Publication.....	23
4.1	RightsApp website.....	23
4.2	GitHub repository.....	23
4.3	Google Play app store	23
	ANNEX I – “Terms and Conditions” translations	24
	ANNEX II – “How to use the app” translations	30
	ANNEX III – “About us” translations	33
	ANNEX IV – Questions and answers translation.....	36
	ANNEX V – Particles translations	39

LIST OF FIGURES

Figure 1: Decision tree path #1.....	9
Figure 2: Decision tree path #2.....	10
Figure 3: Screenshots from the Android version of the RightsApp app.....	22

LIST OF TABLES

Table 1: English terms and condition for the Android version of the RightsApp app.....	9
Table 2: English questions in the RightsApp database	11
Table 3: English answer in the RightsApp database	11
Table 4: English tags contained in the app database	12
Table 5: Particles contained in the app’s database with their corresponding tags	18
Table 6: English text for “How to use the app” included in the Android version of the RightsApp app	19
Table 7: English text for “About us” included in the Android version of the RightsApp app.....	20

1 INTRODUCTION

The Deliverable reports on the Deliverable D3.2 “RightsApp Android application” This deliverable is a demonstrator, however, in this document different aspects of the design and implementation of the main outcome of this deliverable are reported.

Section 2 lists the updates carried out since the publication of deliverables D2.2 “Decision tree and particles tagged”¹, D2.3 “Questionnaire and parameters”² and D2.4 “Translation of the particles into different languages”³. The mid-project workshop that was held in Barcelona in February 2019 bring together different crime victim support experts from different organizations (see RightsApp Deliverable D5.4 “Mid-project International Workshop”)⁴. As a result, the RightsApp consortium has considered their suggestions and recommendations. Therefore, the current state of the questionnaire, the answers, the particles and their corresponding translation into English, Spanish, Portuguese and Italian are listed in this section. In addition, all of them are part of the first stable version of the RightsApp Android version of the app.

Section 3 is focused on details of the RightsApp app implementation. The texts included in the app such as “How to use the app”, “About us”, and some technical details are discussed in this section. In addition, some screenshots from the app are also included here.

Finally, the last section lists how the RightsApp app has been published. This part includes a compiled version of the app uploaded to the Google Play store and the source code (published in open source) uploaded to the GitHub platform.

This document is an open document. It means that it can be updated throughout the course of the project. For instance, new requirements during the development of the RightsApp app may arise or, even, requirements could be updated during the workshop that will be hold next month. Thus, this deliverable contains a revision log table. When relevant updates occur, the revision log table will reflect the update, the date of the new revision, and the author.

¹ D2.2 “Decision tree and particles tagged” – Confidential report

² D2.3 “Questionnaire and parameters” available at: <https://zenodo.org/record/1745372>

³ D2.4 “Translation of the particles into different languages” available at: <https://zenodo.org/record/2529365>

⁴ D5.4 “Mid-project international workshop” available at <https://zenodo.org/record/2580078>

2 UPDATES

Since the publication of deliverables D2.2 “Decision tree and particles tagged”, D2.3 “Questionnaire and parameters” and D2.4 “Translation of the particles into different languages”, some updates have occurred. Therefore, this section collects all these updates and shows the texts, decision tree, questionnaire and particles that have been included in the first stable version of the Android version of the RightsApp app.

The most significant changes were originated by the mid-term workshop carried out in February 2019 where several experts in crime victim’s assistance reviewed all the materials produced by the RightsApp project. They suggested a complete set of changes and improvements in order to provide a better assistance to the RightsApp users. A report on this workshop could be find at D5.4 “Mid-project International Workshop” available at: <https://zenodo.org/record/2580078>

2.1 Terms and conditions

Table 1 show the final terms and conditions that users must accept to use the app. It contains mains sections: ownership of the app, terms and conditions, privacy policy, personal data, links to external sites, aggregated statistics and privacy policy changes. These terms and conditions are mainly focused on comply with the current Data Protection and Privacy regulations, specifically the General Data Protection Regulation.

Terms and conditions
<p>Ownership of the app</p> <p>This app is operated by Universitat Autònoma de Barcelona – Institute of Law and Technology (hereinafter, UAB-IDT) on behalf of the RightsApp consortium. UAB-IDT is located at:</p> <p>Universitat Autònoma de Barcelona – Institute of Law and Technology (UAB-IDT) idt@uab.cat Campus de la UAB. Edifici B Cerdanyola del Valles (Bellaterra), Spain</p> <p>Terms and Conditions</p> <p>The RightsApp app (hereinafter, the app) is the main outcome of the DG-Justice funded project “RightsApp: Mobile Technologies applied to protect victims of a crime within the EU Area of Justice: RightsApp for e-Justice” (hereinafter RightsApp), which has received funding from the DG-Justice European Union’s Programme (2014-2020) under Grant Agreement No. 785854.</p> <p>The app falls under the responsibility of the RightsApp consortium. It is not concerned with commercial transactions or with the exchange of data for marketing purposes. Whereas we endeavour to keep the information up to date and correct, we make no representations or warranties of any kind, express or implied, about the completeness, accuracy, reliability, suitability or availability with respect to the app, or the information, products, services, or related graphics contained into the app for any purpose. The information in this app is provided “as is”, and no guarantee or warranty is given that the information is fit for any particular purpose. The user thereof uses the information at its sole risk and liability.</p> <p>It is our goal to minimize disruption caused by technical errors. However, some data or information on our site may have been created or structured in files or formats that are not error-free and we cannot guarantee that</p>

our service will not be interrupted or otherwise affected by such problems. The RightsApp consortium accepts no responsibility regarding such problems incurred as a result of using this site or any linked external sites.

Privacy Policy

Welcome to our Privacy Policy. Your privacy is critically important to us.

It is UAB-IDT's policy to respect your privacy regarding any information we may collect while operating our app. This Privacy Policy applies to RightsApp mobile application (hereinafter, the "app"). We respect your privacy and are committed to protecting personally identifiable information and personal data you may provide us through the app. We have adopted this privacy policy ("Privacy Policy") to explain what information may be collected on our app, how we use this information, and under what circumstances we may disclose the information to third parties. This Privacy Policy, together with the Terms and conditions posted above, set forth the general rules and policies governing your use of our app.

Personal Data

While using our app, we will not ask you to provide us with any personally identifiable information that can be used to contact or identify you ("Personal Data"). UAB-IDT may collect statistics about the behaviour of visitors to the app, as explained below.

Links To External Sites

Our Service may contain links to external sites that are not operated by us. If you click on a third-party link, you will be directed to that third party's site. We strongly advise you to review the Privacy Policy and Terms and Conditions of every site you visit. We have no control over, and assume no responsibility for the content, privacy policies or practices of any third-party sites, products or services.

Aggregated Statistics

UAB-IDT may collect statistics about the behaviour of visitors to its app. UAB-IDT may display this information publicly or provide it to others. However, UAB-IDT does not disclose your personally-identifying information and statistics will be displayed or provided in a completely anonymised manner.

Google Analytics

This app uses functions of Google Analytics of Google Inc., 1600 Amphitheatre Parkway, Mountain View, CA 94043, United States, which support interest-based advertising and advertising based on user browsing behaviour. Google Analytics uses a third-party cookie from DoubleClick to evaluate data regarding users' browsing behaviour on different websites. These data can be used to prepare statistical statements on demographic data and areas of interest of website users.

We expressly draw your attention to the fact that we cannot view data related to individual users and that the statistical data we use cannot be traced back to specific users.

For more information about Google's terms of use and privacy, please visit:

- <https://policies.google.com/privacy>

Privacy Policy Changes

Although most changes are likely to be minor, UAB-IDT may change its Privacy Policy from time to time, and in UAB-IDT's sole discretion.

UAB-IDT encourages visitors to frequently check this screen for any changes to its Privacy Policy. Your continued use of this site after any change in this Privacy Policy will constitute your acceptance of such change.

Table 1: English terms and condition for the Android version of the RightsApp app.

2.2 Decision tree

The decision tree has been also updated since the mid-project workshop held in Barcelona in February 2019. Experts in crime victims support suggested just two main paths. The first one, depicted in Figure 1, is focused on the citizen that fall victim to a crime. The second path, depicted in Figure 2, is intended to a third person that is looking for information for the victim of a crime. Specifically, experts mention the example of a consulate staff that is trying to help a citizen of her/his country.

Mainly, both figures represent the same decision tree, however, some questions have been changed to ask for details from a third person, improving the user experience of the RightsApp app. Also, in the figures questions and answers are represented with QX and AX, respectively. The X is the ID of the questions and answers listed in Table 2 and Table 3. Moreover, blue balloons stand for the tags that a specific pair of question and answer raises. That is, when the workflow runs for this specific path, the tags associated are activated, afterwards, the particles shown will take into account these raised tags.

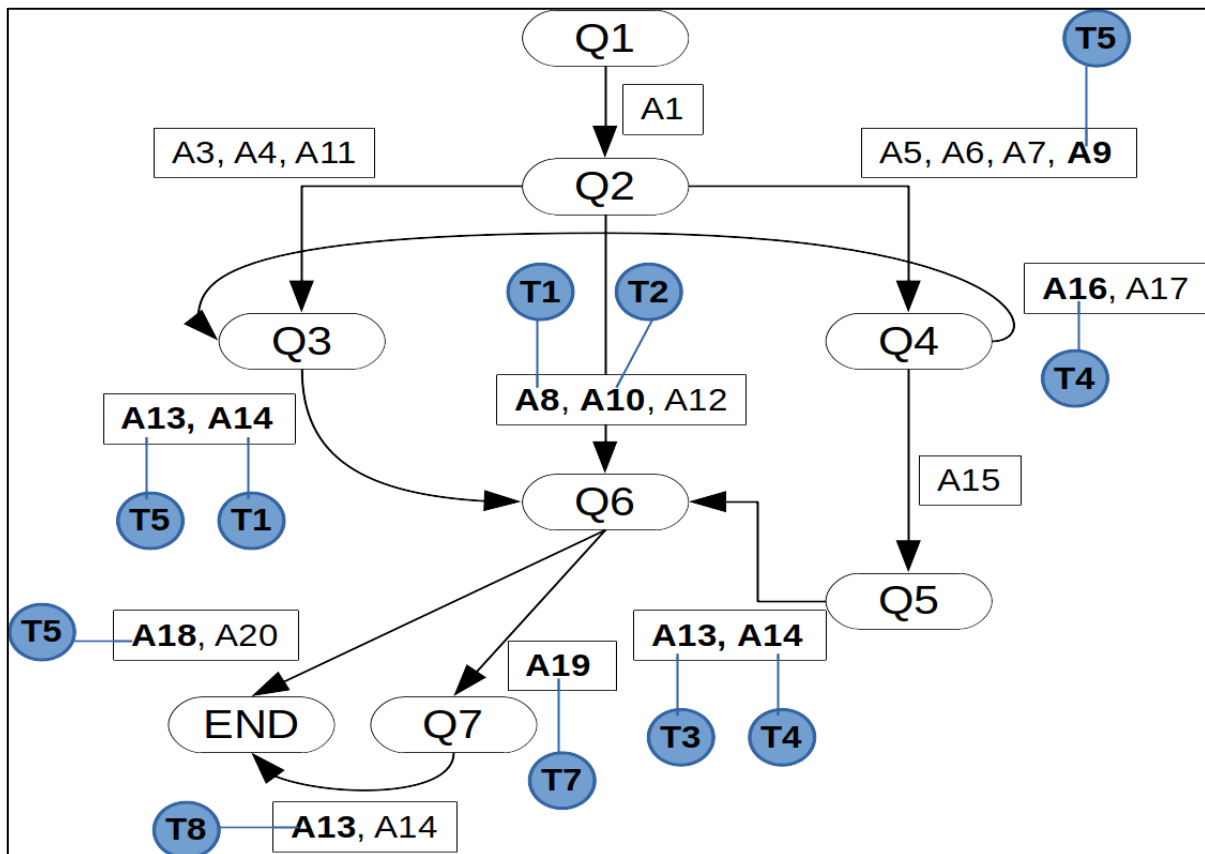


Figure 1: Decision tree path #1

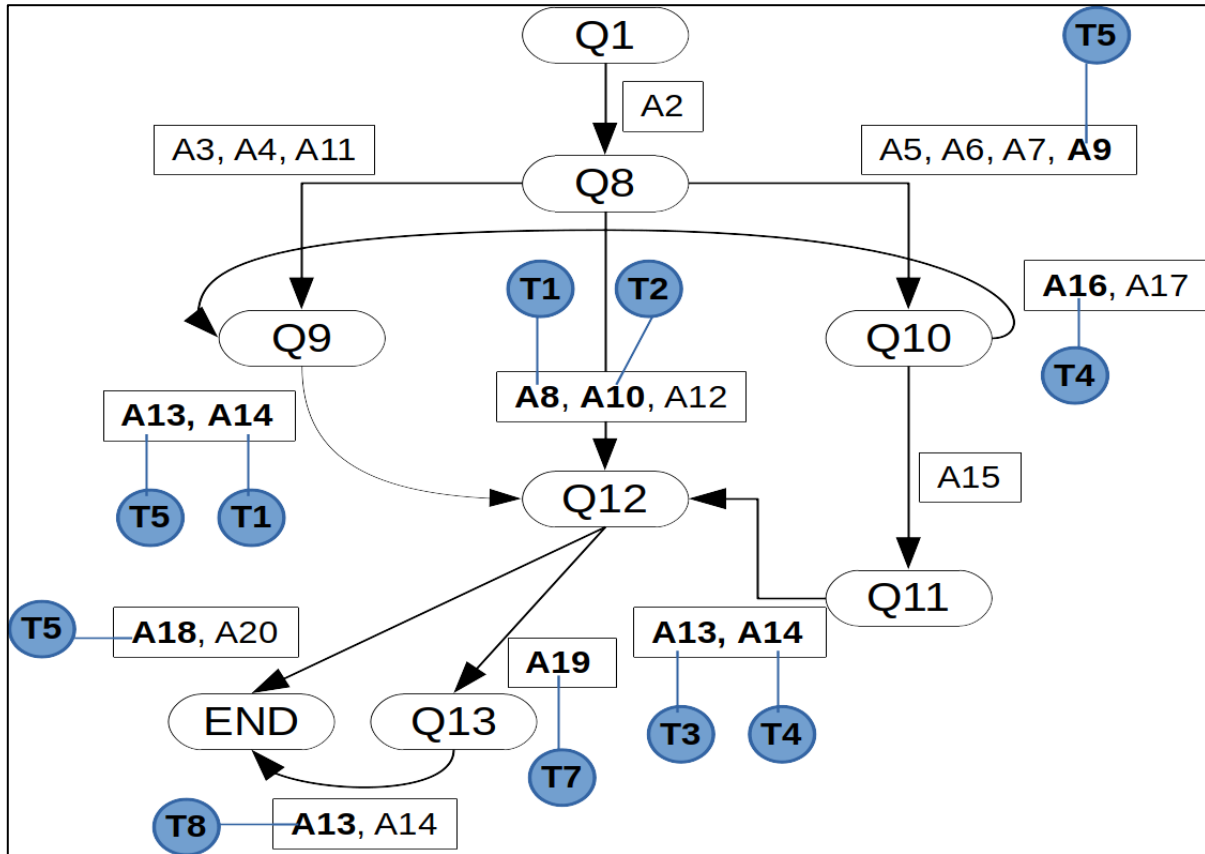


Figure 2: Decision tree path #2

2.3 Questionnaire & Answers

Table 2 and Table 3 show the questions and answers that are stored in the RightsApp database for the Android version of the app. The questionnaire has been simplified according to crime victim’s support experts that attended the mid-project workshop that was held in Barcelona in February 2019. As stated in previous section, the questionnaire currently has two main paths. The first one is focused on the user that fall victim to a crime, the second one is focused on a user that is looking for information for a third person (For instance, a member of a consulate that is looking for information for an individual that he/she is assisting after fall victim to a crime in Spain).

The previous version of the questionnaire published in D2.3 “Questionnaire and parameters” contained 14 questions and 5 statistical questions. Experts strongly suggested to eliminate the statistical questions. The main reason that they exposed is that a victim of a crime should go straight to the required information.

ID	Question texts in English
1	Have you been victim of a crime?
2	What happened?
3	As a result, have you suffered physical or mental disability?
4	Who did it?
5	Are you a woman?
6	Where do you live?
7	Do you want to receive information on how to file a report?
8	What happened to the victim?
9	As a result, have the victim suffered physical or mental disability?

10	Who did it?
11	Is the victim a woman?
12	Where the victim lives?
13	Do the victim want to receive information on how to file a report?

Table 2: English questions in the RightsApp database

ID	Answer text in English
1	Yes, I have been victim of a crime
2	No, I am looking for information for a third person
3	Theft
4	Property damage
5	Domestic violence/Violence against women
6	Physical aggression
7	Harassment, threats or insults
8	Fraud
9	Sexual assault
10	Terrorist attack
11	Hate crime or discrimination
12	Others
13	Yes
14	No
15	Partner/Ex-partner
16	A member of the family environment
17	A third person
18	Spain
19	Another country member of the European Union
20	A country outside the European Union

Table 3: English answer in the RightsApp database

2.4 Particles & Tags

This section shows in Table 4 and Table 5 the tags and particles that are currently contained in the RightsApp app. The particles have been reduced (from 35 to 28) and the language have been simplified to ease the understanding of citizens with no legal background. The most part of the changes were suggested by crime victim's assistance experts that attended the mid-project international workshop.

ID	Tag	Description
T1	Common	Common rights according to the Spanish legal framework
T2	Terrorism	The Spanish legal framework grants additional rights for citizens that fall victim to a crime related to terrorism
T3	Violence against women	The Spanish legal framework grants additional rights for citizens that fall victim to a crime related to violence against women
T4	Domestic violence	The Spanish legal framework grants additional rights for citizens that fall victim to a crime related to domestic violence
T5	Violent crimes or against sexual freedom	The Spanish legal framework grants additional rights for citizens that fall victim to a crime related to violence and against sexual freedom

T6	Spanish resident	This tag states that no further information about procedures will be displayed. For instance, how to report a complaint from a EU country.
T7	EU resident	This tag links all the particles related to rights that citizens resident in an EU country have when they fall victim to a crime in Spain, according to the Spanish legal framework
T8	Procedure	This tag links all the particles related to the procedures according to the Spanish legal framework. For instance, how to report a complaint from a EU country
T9	Non-EU resident	This tag links all the particles related to rights that citizens non-resident in an EU country have when they fall victim to a crime in Spain, according to the Spanish legal framework

Table 4: English tags contained in the app database

ID	Tema	Descripción (texto para la aplicación móvil)	Tags
P1	Right to receive information	<ul style="list-style-type: none"> • Related to the type of medical and psychological support they can obtain free of charge • Related to how and under what conditions they can access legal advice free of charge • Related to protection measures • To the right to understand and to be understood in the context of criminal proceedings and to receive information in a language that they can understand, free of charge • Contact details for communications about the instituted criminal proceedings • To receive notifications related to the instituted criminal proceedings • To receive a copy of the formal complaint lodged by the victims to the competent authority • Information about their case <p>The right of victims not to be informed about the criminal proceedings</p>	T1; T2; T5
P2	Right to understand and to be understood	<ul style="list-style-type: none"> • Communications with victims shall be in simple and accessible language • In case of disability, such communications will be adapted to the victims • Children that are victimised may attend alone or accompanied by any other person of their choice • Translation and interpretation: <ul style="list-style-type: none"> ○ Translation and interpretation shall be free of charge while the case is still under investigation ○ Essential information about the exercise of their rights in criminal proceeding should be provided to the victims in a language that they can understand <p>If the police decide not to provide translation and interpretation, they must provide a reasoned decision and include such decision into the police statement. The victim may appeal against such a decision before the court</p>	T1; T2; T3; T5

P3	Right to access victim support and assistance services	<ul style="list-style-type: none"> • To receive information to the legal advice Service from the Catalan Government (SOJ-Generalitat de Catalunya). • To be accompanied by any person of his/her choice • To have access to a first medical and psychological assistance, free of charge, in specialised units providing such specialised support different from the general victim support services (Police/Courts). • Family members shall have access to victim support services without the need to file a previous formal complaint in accordance with their needs and the degree of harm suffered as a result of the criminal offence committed against the victim 	T1; T5
P4	Right to complain	<ul style="list-style-type: none"> • To exercise criminal and civil legal actions/proceedings • To provide evidence or any relevant information to the police, judge or prosecutor • To complain to the police, judge or prosecutor • If the victim files a formal complaint, the competent authorities will examine if it is necessary to implement protection measures • To receive copy of the report made to the police, judge or prosecutor 	T1; T2; T3; T5
P5	Right to the protection of victims during criminal proceedings	<ul style="list-style-type: none"> • The possibility to request protection measures • If the victim is a child, the prosecutor will be in charge of determining the protection measures • Victims and their family members have the right to avoid contact with the offender • Interviews of victims shall be conducted without unjustified delay after the complaint. The number of interviews is kept to a minimum and they shall be carried out only when strictly necessary for the purposes of the criminal investigation • Victims may be accompanied by their legal representative and a person of their choice • Medical examinations are kept to a minimum and will be carried out only if it is strictly necessary for the purposes of the criminal proceedings • In order to protect privacy, personal integrity and personal data of victims and their family members, the competent authorities may take all lawful measures to prevent public dissemination of any information that could lead to the identification of the victim, particularly if the victim is a child or a disabled person 	T1; T5
P6	Right to access to restorative justice services	<ul style="list-style-type: none"> • Victims shall access to the restorative justice services to solve the case. It will be free of charge for the victims. • The mediator shall determine whether the conditions are fulfilled for conducting a mediation • All the parties involved in the mediation process shall agree in their participation • The mediation process shall not entail any risk for the victims or causing more harms • According to the Spanish law, no mediation is possible if the case is related to gender-based violence 	T1; T2; T3; T5

P7	Right to legal aid	<ul style="list-style-type: none"> The victim will be informed about the possibility of having access to legal aid and its specific requirements The application for legal aid may be submitted by: <ul style="list-style-type: none"> The person who is informing the victim The victim assistance offices The Bar Association 	T1; T5
P8	Right to reimbursement of the expenses	<ul style="list-style-type: none"> The victims shall have the possibility of reimbursement the expenses incurred as a result of their active participation in criminal proceedings, in accordance with their role in the relevant criminal justice system 	T1; T2; T3; T5
P9	Right to the return of property	<ul style="list-style-type: none"> Recoverable property which is seized in the course of criminal proceedings shall be returned to the victim without delay following a previous decision made by a competent authority This right can not be exercised if: <ul style="list-style-type: none"> The property is necessary for the criminal proceeding It is not enough to force the owner to keep it It is necessary to carry out a technical investigation of an accident 	T1; T2; T3; T5
P10	Right to participate in criminal proceedings	<p>Victims have the right to participate in criminal proceedings. In particular:</p> <ul style="list-style-type: none"> To bring charges through their own lawyer <p>To provide the competent authorities with evidence or any information deemed relevant for the investigation</p>	T1; T2; T3; T5
P11	Right to be informed	<p>Victims of gender-based violence have the right to be informed:</p> <ul style="list-style-type: none"> In a language that victims understand Information related to how and under which conditions victims can access to legal advice free of charge Information related to medical and psychological support Information related to protection and security measures Information related to accessing aids according to the aid national programs Information related to the place where support, emergency and comprehensive recovery services are provided Information about their case Information related to the victims right not to be informed about their case Information related to the right of the victims to be notified when the person remanded in custody, prosecuted or sentenced for criminal offences concerning them is released from or has escaped detention. Victims shall also exercise their right of not to receive information unless that information must be provided due to the entitlement of the victim to active participation in the criminal proceedings Women victims of gender based-violence have the right to receive information according to the personal characteristics of the victim including any disability she may suffer 	T3
P12	Right to access victim support and assistance services	<ul style="list-style-type: none"> To be accompanied by any person of his/her choice To have access to a first medical and psychological assistance, free of charge, in specialised units providing such specialised support different from the general victim support services (Police/Courts). Family members shall have access to victim 	T3

		<p>support services without the need to file a previous formal complaint in accordance with their needs and the degree of harm suffered as a result of the criminal offence committed against the victim</p> <ul style="list-style-type: none"> • Victims shall have the right to permanent assistance • Victims shall have the right to receive urgent support services • Victims shall have the right to receive specialised aids • Victims shall have the right to receive multidisciplinary professional care (psychological and social support, the follow-up of complaints, educational support to their family members, preventive and re-integration into the labour market training). Children depending to the victim shall have access to receive the same care provided to the victim • Victims shall have the right to legal aid 	
P13	Right to the protection of victims during criminal proceedings	<p>Victim shall:</p> <ul style="list-style-type: none"> • Request for a protective order • Victims shall have the right to protection of their personal data and privacy. Furthermore, and in order to protect their privacy, personal integrity and personal data, they are allowed to request that competent authorities take all lawful and proper measures to prevent public dissemination of any information related to their cases or at least victims can limit the information publicly available in relation with their cases • Victims can request measures to ensure that the aggressor does not leave home, cannot communicate, cannot have arms, and limits his rights in relation to their children 	T3
P14	Right to legal aid	<ul style="list-style-type: none"> • They have the right to a lawyer, free of charge, before complaining • They have the right to keep the same lawyer in all criminal proceedings • If the victim dies, his/her heirs are also entitled to a lawyer free of charge 	T3
P15	Right to benefits	<p>Labour rights and social security benefits if there is a protective order or if the prosecutor observes indications of gender-based violence:</p> <ul style="list-style-type: none"> • If the victim works for someone else: <ul style="list-style-type: none"> ○ Right to modify or reduce his/her working time ○ Geographical labour mobility ○ Change of the workplace ○ Suspension of the labour contract by ensuring the return to work under pre-existing labour conditions before the suspension of the contract ○ Finalise the labour contract and recognition of the situation of unemployment ○ Any absence or lack of punctuality to work will be justified if it is determined by social services • If the victim works as a self-employed person: <ul style="list-style-type: none"> ○ If the victim has to stop working, he/she shall not make contributions for six months. During this period of time, the victim will be registered in the Social Security system 	T3

		<ul style="list-style-type: none"> ○ There is the possibility of enrolling in a specific employment program for victims of gender based-violence ● The right of the women civil servants if there is a protective order or if the prosecutor observes indications of gender-based violence: <ul style="list-style-type: none"> ○ Right to modify or reduce her working time ○ Geographical labour mobility ○ Leave of absence ○ Partial or complete absences to work will be justified in accordance with the applicable law ● Economic rights: <ul style="list-style-type: none"> ○ To apply for social support ○ Preferential access to housing and public residences for the elderly 	
P16	Right to be informed with regard to aids, compensations and benefits	Right to receive information about broader specific financial aids	T2
P17	Right to access victim support and assistance services	<p>A victim of terrorism:</p> <ul style="list-style-type: none"> ● Have the right to receive psychological and psychiatric assistance immediately and free of charge for the entire time necessary for their recovery ● Have the right to receive healthcare outside the Social Security system ● If the victim is a foreigner, she/he has the right to receive urgent healthcare and assistance from the Consulate of her/his country ● The victim shall receive the first assistance in the Office for the victims of crimes of his province ● The National High Court’s Office for the victims of terrorism is the institution responsible for providing assistance during the entire process 	T2
P18	Right to go to the National High Court’s Terrorism Association	<p>A victim of terrorism:</p> <ul style="list-style-type: none"> ● Have the right to go to the National High Court’s Terrorism Association (Asociación de Terrorismo de la Audiencia Nacional) 	T2
P19	Right to the protection of victims during criminal proceedings	<ul style="list-style-type: none"> ● The possibility to request protection measures ● If the victim is a child, the prosecutor will be in charge of determining the protection measures ● The victims and their family members have the right to avoid contact with the offender ● Interviews of victims shall be conducted without unjustified delay after the complaint. The number of interviews is kept to a minimum and they shall be carried out only when strictly necessary for the purposes of the criminal investigation ● Victims may be accompanied by their legal representative and a person of their choice ● Medical examinations are kept to a minimum and will be carried out only if it is strictly necessary for the purposes of the criminal proceedings 	T2

		<ul style="list-style-type: none"> • In order to protect privacy, personal integrity and personal data of victims and their family members, the competent authorities may take all lawful measures to prevent public dissemination of any information that could lead to the identification of the victim, particularly if the victim is a child or is a disabled person • Right to avoid visual or audio contact with offenders during the giving of evidence by appropriate means, including the use of communication technologies 	
P20	Right to legal aid	<ul style="list-style-type: none"> • Right to receive an immediate preliminary legal assistance to all victims who request it • They have the right to a lawyer, free of charge, during the entire criminal proceeding if they prove insufficient resources 	T2
P21	Right to benefits	<ul style="list-style-type: none"> • Victims shall request the benefits within a year • ECONOMIC BENEFITS: Victims have the right to economic benefits also prior to the hearing of the trial, independently whether they are Spanish or foreigners (funeral expenses, money for personal injuries and material damages). These benefits can be granted if needed before the trial and they are compatible with other pensions or grants and are exempt from taxes. • LABOUR BENEFITS: Victims have the right to labour benefits also before the hearing of the case, independently whether they are Spanish or foreigners (right to change the working day and to be transferred to another post). • SOCIAL BENEFITS: Victims have the right to social benefits also before the hearing of the case, independently whether they are Spanish or foreigners (preference in the adjudication of public protection housing, and the right to temporary accommodation if they have to leave their home temporarily). • EDUCATIONAL BENEFITS: Victims have the right to educational benefits also before the hearing of the case, independently whether they are Spanish or foreigners (Victims or their children will not have to pay fees for public education services; Study aid when you cannot continue with the usual work as a result of a terrorist act (also applicable to some family members) and individual monitoring sessions in educational centres to allow the continuation of studies). 	T2
P22	Right to diplomatic and consular protection	Victims have the right to receive consular and diplomatic assistance	T2; T7; T9
P23	Right to acquire citizenship	<ul style="list-style-type: none"> • Foreigners and tourists shall acquire Spanish citizenship 	T2; T7; T8
P24		<ul style="list-style-type: none"> • The victim has the right to be granted specific compensation in Spain if, in her/his country of residence, victims of terrorism are also compensated 	T2; T9
P25	Right to aids	<ul style="list-style-type: none"> • Victims of violent and intentional crimes of serious injuries (physical or psychological) or death are entitled to receive compensation from the State if they are Spanish, permanent residents, citizens of an EU state and, in some cases, tourists: <ul style="list-style-type: none"> ○ The State will pay compensation for the damage suffered before the hearing of the case 	T5, T7

		<ul style="list-style-type: none"> ○ The period for requesting compensation is 1 year after the offense was committed or the conviction occurred ● Victims of sexual crimes (also violent) are entitled to receive compensation if they are Spanish, permanent residents, citizens of an EU Member State and in some cases tourists: <ul style="list-style-type: none"> ○ If they have suffered psychological damage, they will get paid for the treatment costs they freely choose ○ If they have suffered physical damage or death in addition to the sexual crime, they will be entitled to the compensation provided for violent crimes ○ The deadline for requesting compensation is 1 year since the offense was committed or since the conviction 	
P26	Foreign citizens rights	<ul style="list-style-type: none"> ● The right to be informed and assisted in the same way as a national victim ● Right to interpreter and translation of documents ● Right to denounce the facts in Spain with the assistance of a translator and interpreter 	T7; T9
P27	Rights of victims resident in another EU Member State	<ul style="list-style-type: none"> ● Victims shall file a complaint before the competent authorities of the Member State of residence ● Victims shall intervene in the trial without having to travel to Spain through videoconference or conference ● If the victim returns to Spain to bear witness, he / she may ask to be paid for the travel and lodging expenses 	T7; T8
P28	Rights of citizens of non-EU Member States	The victim shall file a complaint in his country of residence only if there is a bilateral judicial assistance agreement between both countries	T9

Table 5: Particles contained in the app’s database with their corresponding tags

3 APP DETAILS

This section shows the texts that have been included in the app to ease the use of the app and to introduce the RightsApp consortium as well as some technical details in the design and implementation of the RightsApp app. The last part of this section also includes some screenshots from the Android version of the app.

3.1 How to use the app

Table 6: English text for “How to use the app” included in the Android version of the RightsApp app. Table 6 shows the text included in the Android version of the RightsApp app to explain how to use the app. This text will introduce users to how they can take advantage of the app features.

How to use the app
<p>Preference menu</p> <p>When you start the RightsApp application (hereinafter, the "app"), you must first accept the Terms and conditions of the app. Within these Terms and conditions, you can find the privacy policy. UAB-IDT strongly recommends you to carefully review these terms and conditions that will always be available in the "Preferences" menu.</p> <p>The Preferences menu consists of 4 different sections:</p> <ul style="list-style-type: none"> • Language: the app is available in four languages: Spanish, English, Portuguese and Italian. You can change the language of the app (except during the questionnaire response) on this screen. • How to use the app: it shows this explanation in the language active at that moment. • Terms and conditions: This screen shows the Terms and conditions of use of the app. This includes the Privacy policy. • About us: it contains the description of the RightsApp consortium and the available ways to contact the consortium. <p>How the app works</p> <p>The app includes three different scenarios in which the user that has been victim of a crime within the European Union can find himself/herself. The first scenario is the need to make an emergency call to 112. With just a push of a button the user can make an emergency call to 112.</p> <p>The second scenario is the need to be provided with information regarding rights of European Union citizens' who have been victims of a crime. In order to obtain particularized information, the user has to fill in a small questionnaire (with a minimum of X and a maximum of Y questions). Once the user has answered this questionnaire, the rights that assist the user in her/his specific situation will appear grouped by subject (this grouping is due to the size of mobile devices' screens, in order to facilitate the visualization). Once the title of any subject has been pressed, a more detailed definition of the rights that assist the user with respect to that subject will be displayed.</p> <p>In the latter scenario the app provides the citizen who has been the victim of a crime with information regarding entities and centres that provide crime victim support. First, the user chooses three parameters to facilitate the search among these institutions and centres. The first parameter is the type of entity you are looking for, the second indicates in which country, and finally in which city. At the moment, only entities and centres that provide assistance to victims of crime in the Autonomous Community of Catalonia are available. Once these parameters are established, an ordered list will appear from less to more distant with respect to the user's location. Once one of the entities or assistance centres has been selected, the app will offer the possibility of calling that particular entity or centre, navigating to it (using GoogleMaps) or going back to carry out another search.</p>

Table 6: English text for “How to use the app” included in the Android version of the RightsApp app

3.2 About us

Table 7 shows the text included in the Android version of the RightsApp app to explain who are the team that designed and implemented the RightsApp app.

About us
<p>The RightsApp app is the main outcome for the DG-Justice funded project “Mobile Technologies applied to protect victims of a crime within the EU Area of Justice: RightsApp for e-Justice” (http://rightsapp-project.eu), which has received funding from the DG-Justice European Union’s Programme (2014-2020) under Grant Agreement No. 785854.</p> <p>The Consortium is composed of two non-profit organizations within the Universitat Autònoma de Barcelona (UAB): the UAB Institute of Law and Technology (IDT-UAB, http://idt.uab.cat) and the UAB International Welcome Point (IWP-UAB, https://www.uab.cat/international-welcome-point/).</p> <p>The UAB Institute of Law and Technology (IDT-UAB) is a research centre promoting cutting-edge research on law and technology from an interdisciplinary perspective. Its core mission is that of fostering research devoted to providing legal professionals, institutions, organizations, and citizens with appropriate technologies to enhance their legal work or to improve the exercise of their rights. Appropriate technologies in this context imply that research is user oriented, so that both the technological design and its developments are tailored to the needs of the end users and not the opposite.</p> <p>The UAB International Welcome Point (IWP-UAB) is an office designed by the International Relationships Office to provide services to all foreigner members of the UAB community. Thus, giving support for the students, lecturers, administrative staff and services staff from other countries. It provides practical information like legal procedures for EU and non-EU citizens, health cover for EU citizens, budget for living in Barcelona and useful addresses. Moreover, the IWP provides support on foreigners stay and work permit renewal applications, coordinates assistance among UAB offices and assistance to international postgraduate grant holders.</p> <p>Moreover, UAB Faculty of Law (FoL, https://www.uab.cat/dret/), LAST-JD Erasmus Mundus (LAST-JD) and Catalan Society of Victimology (CSV, https://www.victimologia.cat/) also contribute to qualitative and quantitative research and dissemination as well. The UAB Faculty of Law receives every year more than 60 students from other countries in its student mobility programs (Erasmus Programme) and every year about 2.600 individuals enrol on its degrees and post degree courses. The Catalan Society of Victimology groups together lawyers, psychologists, doctors, social workers, among others.</p>

Table 7: English text for “About us” included in the Android version of the RightsApp app

3.3 Development details

3.3.1 Technical details

The Android version of the RightsApp app has been developed with the Android Studio IDE that is available at: <https://developer.android.com/studio>

The main guidelines followed during the implementation process of the app are available at: <https://developer.android.com/docs>. However, different guides and documents have been checked to achieve the most optimized and user-friendly outcome.

The application requires some permissions to be granted by the user. These permissions are:

- ACCESS COARSE LOCATION (for GPS features)

- ACCESS FINE LOCATION (for GPS features)
- CALL PHONE (to allow phone calls inside the app)

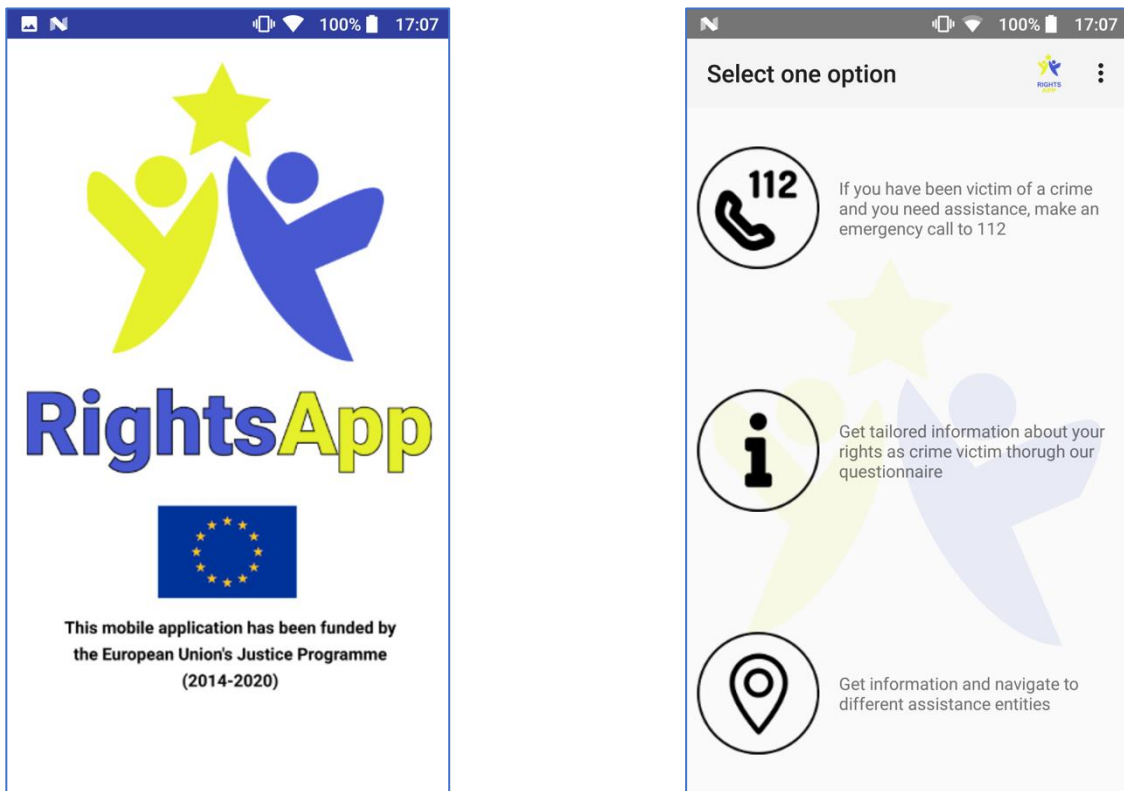
The targeted SDK version is API level 28 (Android Pie) and the minimum API level is API level 15 (Android Ice Cream Sandwich). This target and minimum API levels means that the 99.7% of Android devices will be able to run the Android version of the RightsApp app.

At the time of writing this document, the app includes all police stations in Catalonia and regional Crime Victim Assistance offices. All of this information is publicly available and the RightsApp team have work in including it in the app.

The database that includes all the information showed in the app is an SQLite database⁵. SQLite is an opensource SQL database that stores data to a text file on a device. Android comes in with built in SQLite database implementation. SQLite supports all the relational database features. In order to access this database, you don't need to establish any kind of connections for it⁶

3.3.2 Screenshots of the app

This section shows in Figure 3 some screenshots from the Android version of the RightsApp app.



⁵ SQLite Home page available at: <https://www.sqlite.org/index.html>

⁶ SQLite reference for Android apps available at: <https://developer.android.com/reference/android/database/sqlite/SQLiteDatabase>

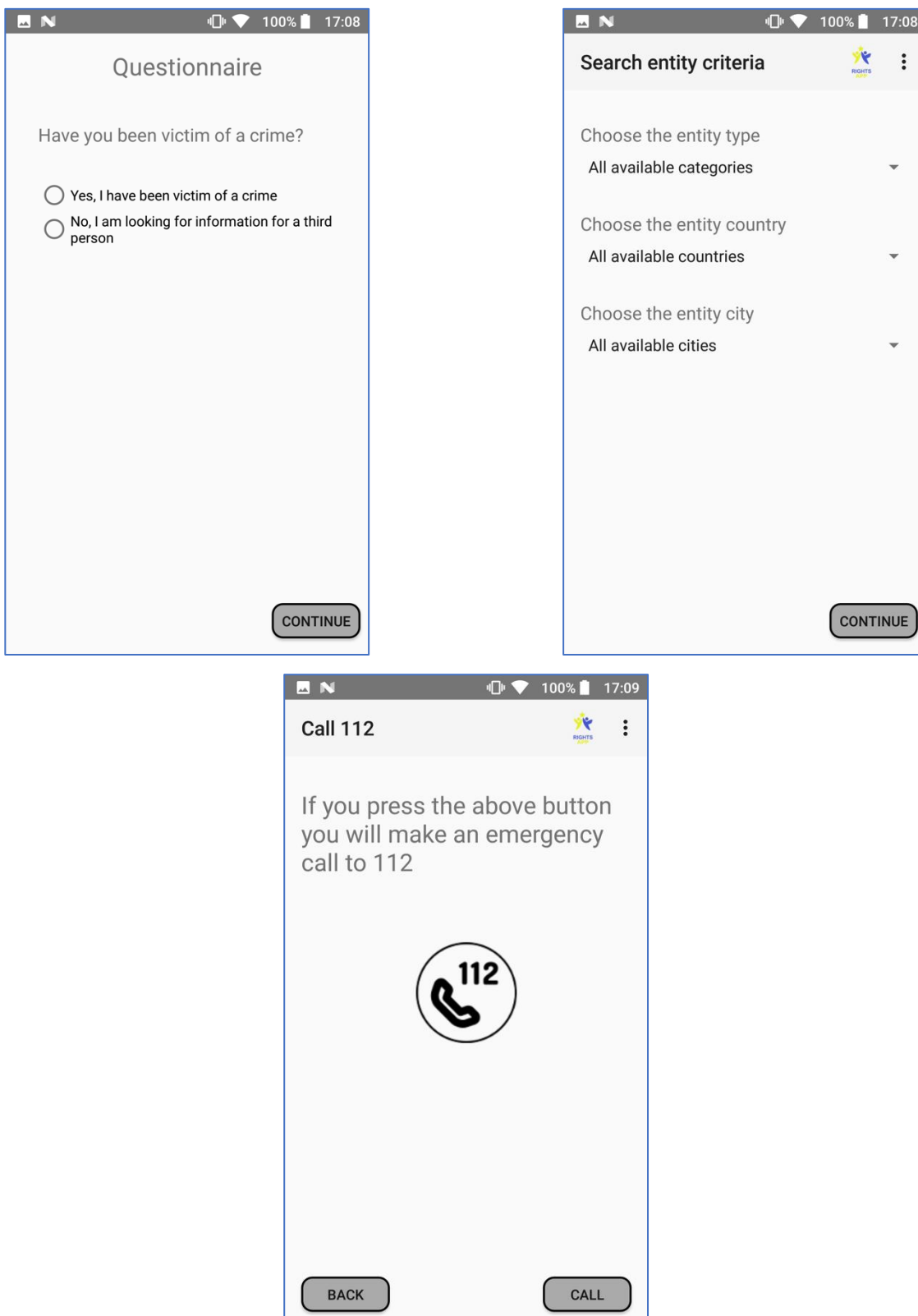


Figure 3: Screenshots from the Android version of the RightsApp app

4 PUBLICATION

The Android version of the RightsApp app will be published through three different sources: the RightsApp website, the GitHub platform and the Google Play store. The RightsApp website and the GitHub platform will contain the source code of the Android version of the RightsApp app and the Google Play store will contain the compiled code to install the app in Android devices.

4.1 RightsApp website

In the RightsApp website the citizens could download the [source code](#) of the Android version of the RightsApp app and they can also download the compiled version of the app through the Google Play store. In the RightsApp website, users could press the button under the title in the landing page, or go to “Dissemination” menu and clicking in the [“Get RightsApp applications”](#)

4.2 GitHub repository

The source code of the application has been published openly in: <https://github.com/jogoco78/RightsApp>.

4.3 Google Play app store

At the time of writing this document, the RightsApp mobile application in Android version is submitted to the Google Play app store, however, it is still being reviewed by Google Play staff. Once published, the link to download the app will be available at the Google Play app store and in the RightsApp website.

ANNEX I – “TERMS AND CONDITIONS” TRANSLATIONS

Términos y condiciones

Titularidad de la app

Esta app está operada por la Universitat Autònoma de Barcelona – Instituto de Derecho y Tecnología (en adelante, UAB-IDT) en representación del consorcio de RightsApp. UAB-IDT tiene su sede en:

Universitat Autònoma de Barcelona – Instituto de Derecho y Tecnología (UAB-IDT)

idt@uab.cat

Campus de la UAB. Edifici B

Cerdanyola del Vallès (Bellaterra), Spain

Términos y condiciones

La aplicación RightsApp (en adelante, la app) es el principal resultado del proyecto: “Mobile Technologies applied to protect victims of a crime within the EU Area of Justice: RightsApp for e-Justice” (en adelante, RightsApp) financiado por el Programa de la Unión Europea de DG-Justice (2014-2020) regulado por el Grant Agreement No. 785854.

La responsabilidad de la app recae sobre el consorcio de RightsApp. La app no realiza transacciones comerciales ni intercambia ningún tipo de dato con fines comerciales. A pesar de nuestro esfuerzo por que la información sea correcta y esté actualizada, no ofrecemos ninguna garantía, expresa o implícita, sobre de la precisión, confiabilidad, idoneidad o disponibilidad de la app, la información que contiene, productos, servicios o gráficos contenidos en la app para cualquier propósito. La información proporcionada por la app es como es, y no se da ninguna garantía de que la información se ajuste a ningún propósito en particular. Por lo tanto, el usuario utiliza la información por su cuenta y riesgo y bajo su entera responsabilidad.

Es nuestro objetivo minimizar cualquier interrupción provocada por un error técnico. Sin embargo, la información contenida en la app puede haber sido creada o estructurada en formatos de fichero que no esten libres de error, por lo que no podemos garantizar que el uso de la app no se vea interrumpido o, en cualquier caso, afectado por estos problemas. El consorcio de RightsApp declina cualquier responsabilidad acerca de estos problemas como resultado del uso de la app o de cualquier enlace a una aplicación o página web externa.

Política de privacidad

Bienvenido a nuestra política de privacidad. Tu privacidad es importante para nosotros.

Esta es la política de privacidad de UAB-IDT con respecto a cualquier información que podamos recoger durante el uso de la app. Esta política de privacidad se aplica a la aplicación móvil RightsApp (en adelante, la “app”). Respetamos tu privacidad y estamos comprometidos con la protección de cualquier información que pueda identificarte personalmente y cualquier dato personal que nos puedas proporcionar a través de la app. Hemos adoptado esta política de privacidad (“Política de privacidad”)

para explicar qué información recoge nuestra app, cómo la utilizamos y bajo que circunstancias podríamos compartirla con terceras partes. Esta Política de Privacidad junto con los Términos y Condiciones, también mencionados aquí, exponen las reglas generales y las políticas que gobiernan el uso de nuestra app.

Datos personales

Mientras utilices nuestra app, no te pediremos que nos facilites ningún tipo de información que permita identificarte o contactar contigo (“Datos personales”). UAB-IDT puede recoger datos estadísticos acerca del comportamiento de los usuarios de la app tal y como se explica más abajo.

Enlaces a sitios externos

Nuestro servicio puede contener enlaces a sitios externos que no son operados por nosotros. Si clicas en un enlace de un tercero, serás redirigido al sitio de ese tercero. Te recomendamos encarecidamente que revises la Política de Privacidad y Términos y Condiciones de uso de cada sitio que visites. No tenemos control, y por lo tanto no asumimos ninguna responsabilidad, respecto del contenido, Política de privacidad o relaciones con terceras partes, productos o servicios.

Agregación de estadísticas

UAB-IDT puede recolectar estadísticas sobre el comportamiento de los usuarios de su app. UAB-IDT puede mostrar esta información de forma pública o proveérsela a terceros. Sin embargo, UAB-IDT no mostrará ni revelará información que pueda identificarte personalmente y las estadísticas serán mostradas y compartidas de forma completamente anónima.

Google Analytics

Esta app utiliza funciones de Google Analytics de Google Inc., 1600 Amphitheatre Parkway, Mountain View, CA 94043, Estados Unidos, que apoyan publicidad basada en intereses y el comportamiento en la navegación del usuario en la app. Google Analytics utiliza una cookie de terceros, DoubleClick, para evaluar los datos sobre el comportamiento de navegación de los usuarios en diferentes sitios web y apps. Estos datos pueden utilizarse para preparar estadísticas sobre datos demográficos y áreas de interés de los usuarios de la app.

Queremos llamar tu atención expresamente sobre el hecho de que no podemos ver datos relacionados con usuarios individuales y que los datos estadísticos que utilizamos no se pueden rastrear a usuarios específicos.

Para más información acerca de los términos y condiciones de uso y la política de privacidad de Google, por favor, visita: <https://policies.google.com/privacy>

Cambios en la política de privacidad

A pesar de que muchos de los cambios que se puedan realizar en la política de privacidad serán menores y poco frecuentes, la política de privacidad puede cambiar en el momento y de la forma que UAB-IDT estime oportuna.

UAB-IDT recomienda encarecidamente que los usuarios de la app comprueben esta pantalla frecuentemente por si se produjese cualquier cambio en la política de privacidad. El uso continuado de la app después de cualquier cambio en su política de privacidad supondrá la aceptación del mismo.

Termos e Condições

Propriedade da app

Esta aplicação é operada e gerida pela Universitat Autònoma de Barcelona - Instituto de Direito e Tecnologia (doravante, UAB-IDT) através do consórcio RightsApp. A UAB-IDT tem sede na:

Universitat Autònoma de Barcelona - Institute of Law and Technology (UAB-IDT)

idt@uab.cat

Campus de la UAB. Edifici B

Cerdanyola del Valles (Bellaterra), Spain

Termos e Condições

A aplicação RightsApp consiste no resultado principal do projecto financiado pela DG-Justiça chamado de "Tecnologias Móveis aplicadas para proteger as vítimas de crime dentro da Área de Justiça da UE: RightsApp for e-Justice" (<http://rightsapp-project.eu>), que recebeu financiamento do Programa da DG-Justiça da União Europeia (2014-2020) ao abrigo do contrato de subvenção n.º 785854.

A app é da responsabilidade do consórcio da RightsApp. Não está relacionada com transacções comerciais nem com partilha de dados para fins de marketing. Considerando que nos esforçamos para manter as informações actualizadas e correctas, não concedemos representações jurídicas, nem quaisquer tipo de garantias, expressas ou implícitas, quanto à integridade, precisão, adequação ou disponibilidade da app, ou quanto às informações, produtos, serviços, ou gráficos contidos na mesma. As informações contidas nesta app são fornecidas "como são", e nenhuma garantia é dada de que as informações são adequadas para qualquer finalidade específica. O utilizador usa as informações por sua conta e risco.

É nosso objectivo minimizar interrupções causadas por erros técnicos. No entanto, alguns dados ou informações no nosso site podem ter sido criados ou estruturados em arquivos ou formatos que não estão livres de erros e não podemos garantir que o nosso serviço não seja interrompido ou afectado por tais problemas. O consórcio RightsApp não aceita qualquer responsabilidade em relação a tais problemas incorridos como resultado do uso deste site ou de quaisquer sites externos a este vinculados.

Política de Privacidade

Bem-vindo à nossa Política de Privacidade. A sua privacidade é muito importante para nós.

É política da UAB-IDT respeitar a privacidade em relação a qualquer informação que colectar enquanto usar a nossa app. Esta Política de Privacidade aplica-se à aplicação móvel RightsApp (doravante, a "app"). Respeitamos a sua privacidade e estamos comprometidos em proteger os dados pessoais que nos facultar por meio da app. Adoptamos esta política de privacidade ("Política de Privacidade") para explicar quais as informações que podem ser recolhidas na nossa app, como é que utilizamos estas informações, e sob quais circunstâncias podemos divulgar estas informações a terceiros. Esta Política de Privacidade, juntamente com os Termos e Condições publicados acima, estabelecem as regras gerais que regem tanto o uso como a privacidade e tratamento dos seus dados pessoais da nossa app.

Dados Pessoais

Ao usar a nossa aplicação, não solicitaremos que nos faculte dados pessoais identificáveis que possam ser usados para contactá-lo ou identificá-lo ("Dados pessoais"). A UAB-IDT pode recolher estatísticas sobre o comportamento dos visitantes da aplicação, como se encontra explicado infra.

Links Para Websites Externos

O nosso Serviço pode conter links para sites externos que não são operados por nós. Se clicar num link de terceiros, será direccionado para o site de terceiros. Aconselhamos vivamente que reveja a Política de Privacidade e os Termos e Condições de todos os sites que visita. Não temos controlo e não assumimos nenhuma responsabilidade pelo conteúdo, políticas de privacidade ou práticas de quaisquer sites, produtos ou serviços de terceiros.

Informação Estatística Agregada

A UAB-IDT pode recolher informação estatística sobre o padrão de comportamento dos utilizadores da app. A UAB-IDT pode apresentar esta informação publicamente ou fornecê-la a terceiros. No entanto, a UAB-IDT não divulga os seus dados de identificação pessoal e a informação estatística será apresentada ou fornecida de maneira completamente anónima.

Google Analytics

Esta app utiliza funções da Google Analytics do Google Inc., 1600 Amphitheatre Parkway, Mountain View, CA 94043, USA, um de análise de dados do comportamento de navegação dos utilizadores da Internet fornecido pela Google. A Google Analytics utiliza um cookie analítico da DoubleClick para avaliar dados sobre o comportamento de navegação dos utilizadores em diferentes sites. Esses dados podem ser usados para análise estatística de dados demográficos e áreas de interesse dos utilizadores do site. Chamamos a atenção para o facto de que não podemos visualizar dados relacionados com utilizadores individuais e que os dados estatísticos que usamos não podem ser rastreados até usuários específicos.

Para mais informações sobre os termos de uso e privacidade do Google, visite:

- <https://policies.google.com/privacy>

Alterações à Política de Privacidade

Embora a maioria das mudanças possa ser mínima, a UAB-IDT pode alterar a sua Política de Privacidade, actualizando-a em qualquer momento, e a seu exclusivo critério.

A UAB-IDT incentiva os visitantes a verificarem frequentemente esta tela para quaisquer alterações à sua Política de Privacidade. O uso continuado desta app após qualquer alteração à Política de Privacidade aceitação de tal mudança.

Termini e condizioni

Proprietà dell'app

Questa app è gestita dall'Universitat Autònoma de Barcelona - Institute of Law and Technology (di seguito, UAB-IDT) per conto del consorzio RightsApp. UAB-IDT si basa su:

Universitat Autònoma de Barcelona – Instituto de Derecho y Tecnología (UAB-IDT)

idt@uab.cat

Campus de la UAB. Edifici B

Cerdanyola del Vallès (Bellaterra), Spain

Termini e condizioni

L'applicazione RightsApp (di seguito, l'app) è il risultato principale del progetto: "Mobile Technologies applied to protect victims of a crime within the EU Area of Justice: RightsApp for e-Justice" (di seguito, RightsApp) finanziato dal Programma della DG Giustizia dell'Unione europea (2014-2020) disciplinata dall'accordo di sovvenzione n. 785854.

La responsabilità dell'app spetta a un consorzio di RightsApp. L'app non effettua transazioni commerciali o scambia alcun tipo di dati per scopi commerciali. Nonostante il nostro impegno per garantire che le informazioni siano corrette e aggiornate, non offriamo alcuna garanzia, esplicita o implicita, in merito all'accuratezza, all'affidabilità, all'adeguatezza o alla disponibilità dell'app, delle informazioni in essa contenute, dei prodotti, dei servizi o della grafica in essa contenuti. L'app per qualsiasi scopo. Le informazioni fornite dall'app sono invariate e non viene fornita alcuna garanzia che le informazioni soddisfino uno scopo specifico. Pertanto, l'utente utilizza le informazioni a proprio rischio e pericolo.

Il nostro obiettivo è ridurre al minimo le interruzioni causate da un errore tecnico. Tuttavia, le informazioni contenute nell'app potrebbero essere state create o strutturate in formati di file che non sono privi di errori, quindi non possiamo garantire che l'utilizzo dell'app non sarà interrotto o, in ogni caso, influenzato da questi problemi. Il consorzio RightsApp declina ogni responsabilità per questi problemi a seguito dell'utilizzo dell'app o di qualsiasi collegamento a un'applicazione o a un sito Web esterni.

Politica sulla privacy

Benvenuto nella nostra politica sulla privacy. La tua privacy è importante per noi.

Questa è la politica sulla privacy di UAB-IDT in relazione a qualsiasi informazione che possiamo raccogliere durante l'uso dell'app. Questa informativa sulla privacy si applica all'applicazione mobile RightsApp (di seguito, "l'app"). Rispettiamo la tua privacy e ci impegniamo a proteggere qualsiasi informazione che possa identificarti personalmente e tutte le informazioni personali che puoi fornirci attraverso l'app. Abbiamo adottato questa politica sulla privacy ("Informativa sulla privacy") per spiegare quali informazioni vengono raccolte dalla nostra app, come le usiamo e in quali circostanze possiamo condividerle con terze parti. La presente Informativa sulla privacy unitamente ai Termini e condizioni, qui menzionati, stabilisce le regole e le politiche generali che regolano l'utilizzo della nostra app.

Informazioni personali

Durante l'utilizzo della nostra app, non ti chiederemo di fornirci alcuna informazione che ti consenta di identificarti o di contattarti ("Informazioni personali"). UAB-IDT può raccogliere dati statistici sul comportamento degli utenti dell'app come spiegato di seguito.

Collegamenti a siti esterni

Il nostro servizio può contenere collegamenti a siti esterni che non sono gestiti da noi. Se fai clic su un link da una terza parte, verrai reindirizzato al sito di quella terza parte. Ti consigliamo vivamente di rivedere l'Informativa sulla privacy e i Termini e condizioni d'uso di ciascun sito che visiti. Non abbiamo alcun controllo e pertanto non assumiamo alcuna responsabilità in merito al contenuto, alla politica sulla privacy o alle relazioni con terze parti, prodotti o servizi.

Aggregazione di statistiche

UAB-IDT può raccogliere statistiche sul comportamento degli utenti della tua app. UAB-IDT può visualizzare queste informazioni pubblicamente o fornirle a terzi. Tuttavia, UAB-IDT non mostrerà né divulgherà informazioni che possono identificarti personalmente e le statistiche saranno mostrate e condivise in modo completamente anonimo.

Google Analytics

Questa app utilizza le funzioni di Google Analytics di Google Inc., 1600 Amphitheatre Parkway, Mountain View, CA 94043, Stati Uniti, che supportano la pubblicità basata sugli interessi e il comportamento di navigazione dell'utente nell'app. Google Analytics utilizza un cookie di terze parti, DoubleClick, per valutare i dati sul comportamento di navigazione degli utenti in diversi siti Web e app. Questi dati possono essere utilizzati per preparare statistiche su dati demografici e aree di interesse per gli utenti dell'app.

Desideriamo richiamare espressamente la vostra attenzione sul fatto che non possiamo vedere i dati relativi ai singoli utenti e che i dati statistici che utilizziamo non possono essere rintracciati a utenti specifici.

Per ulteriori informazioni sui termini e le condizioni d'uso e l'informativa sulla privacy di Google, visitare: <https://policies.google.com/privacy>

Modifiche nell'informativa sulla privacy

Sebbene molte delle modifiche che potrebbero essere apportate alla politica sulla privacy saranno minori e poco frequenti, la politica sulla privacy potrebbe cambiare al momento e nel modo in cui UAB-IDT riterrà opportuno.

UAB-IDT consiglia vivamente agli utenti dell'app di controllare frequentemente questa schermata per eventuali modifiche alla politica sulla privacy. L'uso continuato dell'app dopo ogni modifica della sua politica sulla privacy implica la sua accettazione.

ANNEX II – “HOW TO USE THE APP” TRANSLATIONS

Como usar la app

Menú de preferencias

Al iniciar la aplicación RightsApp (en adelante, la “app”), en primer lugar, deben aceptarse los Términos y condiciones de la misma. Dentro de estos Términos y condiciones está incluida la política de privacidad. UAB-IDT recomienda encarecidamente una lectura detenida de estos términos y condiciones que siempre estarán disponibles en el menú “Preferencias”.

El menú “Preferencias” está compuesto por 4 secciones diferentes:

- Idioma: la aplicación está disponible en cuatro idiomas: español, inglés, portugués e italiano. Se puede cambiar el idioma de la aplicación) en esta pantalla (excepto durante la respuesta al cuestionario).
- Cómo utilizar la app: nos muestra esta explicación en el idioma que esté activo en ese momento.
- Términos y condiciones: nos muestra los Términos y condiciones de uso de la app. Estos incluyen la Política de privacidad de ésta.
- Sobre nosotros: contiene la descripción del consorcio RightsApp y las diferentes formas de contacto disponibles.

Funcionamiento de la app

La app incluye tres situaciones diferentes en las que el usuario que ha sido víctima de un delito dentro de la Unión Europea se puede encontrar. La primera de ellas es la necesidad de realizar una llamada de emergencia al 112. Con tan sólo pulsar un botón el usuario podrá realizar una llamada de emergencia al 112.

La segunda situación consiste en la necesidad de obtener información relativa a los derechos del ciudadano de la Unión Europea que ha sido víctima de un delito. Con el fin de obtener esta información de forma particularizada, el usuario tendrá que rellenar un pequeño cuestionario (con un mínimo de X y un máximo de Y preguntas). Una vez respondido este cuestionario, los derechos que asisten al usuario en su situación concreta aparecerán agrupados por temática (esta agrupación se debe al tamaño de las pantallas de algunos dispositivos móviles, con el fin de facilitar la visualización). Una vez pulsado el título de una temática cualquiera, se desplegará una definición más detallada de los derechos que asisten al usuario respecto de esa temática.

La última situación es la necesidad de que el ciudadano que ha sido víctima de un delito pueda obtener la información relativa a las instituciones y centros donde se le puede prestar asistencia. Primero, el usuario deberá escoger tres parámetros para facilitar la búsqueda de estas instituciones y centros. El primer parámetro es el tipo de entidad que está buscando, el segundo indica en que país, y por último en que ciudad. Por el momento, están disponibles las entidades y centros que prestan asistencia a las víctimas de delitos en la Comunidad Autónoma de Cataluña. Una vez establecidos estos parámetros, aparecerá una lista ordenada de menos a más distancia con respecto a la ubicación del usuario. Una vez seleccionada una de las instituciones o centros de asistencia, la app ofrecerá la posibilidad de llamar a ese centro concreto, navegar hasta él (mediante GoogleMaps) o volver atrás para realizar otra búsqueda.

Como usar a aplicação

Menu de preferências

Quando inicia a aplicação RightsApp (doravante, a "app"), o utilizador deve primeiro aceitar os Termos e Condições da app. Dentro destes Termos e Condições, pode encontrar a política de privacidade. A UAB-IDT recomenda que leia cuidadosamente estes termos e condições que estarão sempre disponíveis no menu "Preferências".

O menu Preferências consiste em 4 secções diferentes:

- Língua: a aplicação está disponível em quatro línguas: espanhol, inglês, português e italiano. Pode alterar a língua da aplicação nesta tela (excepto quando responder ao questionário).
- Como usar a aplicação: esta secção mostra esta explicação na língua seleccionada naquele momento.
- Termos e condições: esta tela mostra os Termos e condições de uso da aplicação. Estes termos incluem a política de privacidade.
- Sobre nós: contém a descrição do consórcio RightsApp e as formas disponíveis para entrar em contacto com o consórcio.

Como funciona a aplicação

A aplicação inclui três cenários diferentes nos quais um utilizador que foi vítima de crime, dentro da União Europeia, se pode identificar.

O primeiro cenário refere-se à necessidade de fazer uma chamada de emergência para o 112. Com apenas o toque de um botão, o utilizador pode fazer uma chamada de emergência para o 112.

O segundo cenário consiste na necessidade de receber informação sobre os direitos dos cidadãos da União Europeia vítimas de um crime. Para obter informações específicas, o utilizador deve preencher um pequeno questionário (com um mínimo de X e um máximo de Y perguntas). Depois de responder a este questionário, os direitos relativos à sua situação específica aparecem associados por tema (esta organização é devida ao tamanho das telas dos dispositivos móveis, e no sentido de facilitar a visualização). Quando o respectivo título de um tema é seleccionado, é então exibida uma definição mais detalhada dos direitos que auxiliam o utilizador quanto a esse assunto.

Quanto ao último cenário, a aplicação fornece aos cidadãos vítimas de crime informações sobre as entidades e centros que fornecem apoio às mesmas. Primeiro, o utilizador pode escolher três parâmetros para facilitar a sua pesquisa de entre estas instituições e centros existentes. O primeiro parâmetro corresponde ao tipo de entidade que procura, o segundo indica qual o país e finalmente qual a cidade. Neste momento, apenas estão disponíveis as entidades e centros que prestam assistência às vítimas de crimes na Comunidade Autónoma da Catalunha. Após a selecção destes parâmetros, aparece uma lista que disponibiliza os locais mais próximos e distantes em relação à localização respectiva do utilizador. Depois da selecção de uma das entidades ou centros de assistência, a aplicação oferece a possibilidade de telefonar para esta mesma entidade ou centro, navegando até à mesma (utilizando o GoogleMaps) ou voltando à aplicação para realizar uma outra pesquisa.

Come usare l'app

Menu Preferenze

Quando si avvia l'applicazione RightsApp (di seguito, "app"), devono prima essere accettati i Termini e le condizioni della domanda. All'interno di questi Termini e Condizioni è inclusa l'informativa sulla privacy. UAB-IDT raccomanda vivamente un'attenta lettura di questi termini e condizioni che saranno sempre disponibili nel menu "Preferenze".

Il menu "Preferenze" è composto da 4 diverse sezioni:

- **Lingua:** l'applicazione è disponibile in quattro lingue: spagnolo, inglese, portoghese e italiano. È possibile modificare la lingua dell'applicazione su questa schermata (tranne durante la risposta al questionario).
- **Come usare l'app:** ci mostra questa spiegazione nella lingua che è attiva in quel momento.
- **Termini e condizioni:** ci mostra i termini e le condizioni di utilizzo dell'app. Questi includono la politica sulla privacy di questo.
- **Informazioni su di noi:** contiene la descrizione del consorzio RightsApp e i diversi moduli di contatto disponibili.

Funzionamento dell'app

L'app include tre diverse situazioni in cui è possibile trovare l'utente che è stato vittima di un crimine all'interno dell'Unione europea. Il primo di questi è la necessità di effettuare una chiamata di emergenza al 112. Con la semplice pressione di un pulsante l'utente è possibile effettuare una chiamata di emergenza al 112.

La seconda situazione è la necessità di ottenere informazioni sui diritti del cittadino dell'Unione europea che è stato vittima di un crimine. Per ottenere queste informazioni in un modo particolare, l'utente dovrà compilare un piccolo questionario (con un minimo di X e un massimo di domande Y). Una volta risposto a questo questionario, i diritti che assistono l'utente nella sua situazione specifica appariranno raggruppati per tema (questo raggruppamento è dovuto alla dimensione degli schermi di alcuni dispositivi mobili, al fine di facilitare la visualizzazione). Una volta premuto il titolo di qualsiasi argomento, verrà visualizzata una definizione più dettagliata dei diritti che assistono l'utente rispetto a tale argomento.

L'ultima situazione è la necessità per il cittadino che è stato vittima di un crimine di ottenere informazioni sulle istituzioni e sui centri in cui può essere fornita assistenza. Innanzitutto, l'utente deve scegliere tre parametri per facilitare la ricerca di queste istituzioni e centri. Il primo parametro è il tipo di entità che stai cercando, il secondo indica in quale paese e infine in quale città. Al momento, sono disponibili le entità e i centri che forniscono assistenza alle vittime di reato nella Comunità autonoma della Catalogna. Una volta stabiliti questi parametri, una lista ordinata apparirà da meno a più lontano rispetto alla posizione dell'utente. Una volta selezionata una delle istituzioni o dei centri di assistenza, l'app offrirà la possibilità di chiamare quel particolare centro, navigare verso di esso (usando GoogleMaps) o tornare indietro per effettuare un'altra ricerca.

ANNEX III – “ABOUT US” TRANSLATIONS

Sobre nosotros

La aplicación RightsApp es el principal resultado del proyecto “Mobile Technologies applied to protect victims of a crime within the EU Area of Justice: RightsApp for e-Justice” (<http://rightsapp-project.eu>) financiado por el Programa “DG-Justice European Union’s Programme (2014-2020)” con el número de Grant Agreement 785854.

El Consorcio está formado por dos entidades sin ánimo de lucro que forman parte de la Universidad Autónoma de Barcelona (UAB, <http://uab.cat>): el Instituto de Derecho y Tecnología de la UAB (IDT-UAB, <http://idt.uab.cat>) y el International Welcome Point de la UAB (IWP-UAB, <https://www.uab.cat/international-welcome-point/>).

El Instituto de Derecho y Tecnología de la UAB (IDT-UAB) es un centro de investigación que promueve la investigación pionera dentro del derecho y la tecnología desde un punto de vista interdisciplinar. Su misión principal es fomentar la investigación dedicada a proveer a los profesionales del mundo legal, instituciones, organizaciones, y ciudadanos con las tecnologías apropiadas para mejorar su trabajo legal o mejorar el ejercicio de sus derechos. Las tecnologías adecuadas a este contexto implican que la investigación esté centrada en el usuario, de esta manera, tanto el diseño de la tecnología como sus progresos están adaptados a las necesidades de los usuarios finales y no al revés.

El International Welcome Point de la UAB (IWP-UAB) es una oficina diseñada por la Oficina de Relaciones Institucionales de la UAB para proporcionar servicios a todos los miembros extranjeros de la Comunidad de la UAB. Ofreciendo así ayuda a todos los estudiantes, profesores, personal administrativo y personal de servicios de otros países. El IWP-UAB provee información practica como procedimientos legales para ciudadanos de la UE y de fuera de la UE, cobertura sanitaria para los ciudadanos de la UE, presupuesto para vivir en Barcelona y direcciones relevantes. Además, el IWP-UAB provee de ayuda a los extranjeros con la renovación del permiso de residencia y trabajo, coordina la ayuda que proporcionan las diferentes oficinas de la UAB y ofrece ayuda a posgraduados y beneficiarios de becas de otros países.

Por otra parte, la Facultad de Derecho de la UAB (FoL, <https://www.uab.cat/dret/>), LAST-JD Erasmus Mundus (LAST-JD) and Catalan Society of Victimology (CSV, <https://www.victimologia.cat>) también están contribuyendo a la investigación tanto cualitativa como cuantitativa. La Facultad de Derecho de la UAB recibe cada año más de 60 estudiantes foráneos dentro de sus programas de movilidad (Erasmus Programme) y cada año alrededor de 2.600 personas se apuntan a alguno de sus grados o posgrados. La Sociedad Catalana de Victimología agrupa a juristas, psicólogos, doctores, trabajadores sociales, entre otros.

Sobre nós

A aplicação RightsApp consiste no resultado principal do projecto financiado pela DG-Justiça chamado de “Tecnologias Móveis aplicadas para proteger as vítimas de crime dentro da Área de Justiça da UE: RightsApp for e-Justice” (<http://rightsapp-project.eu>), que recebeu financiamento do Programa da DG-Justiça da União Europeia (2014-2020) ao abrigo do contrato de subvenção n.º 785854.

O consórcio é composto por duas organizações sem fins lucrativos parte da própria orgânica da Universidade Autónoma de Barcelona (UAB): o Instituto de Direito e Tecnologia (IDT-UAB, <http://idt.uab.cat>) e o Ponto de Boas-Vindas Internacionais da UAB (IWP-UAB, <https://www.uab.cat/international-welcome-point/>).

O Instituto de Direito e Tecnologia da UAB (IDT-UAB) é um centro de investigação que promove investigação de ponta sobre direito e tecnologia a partir de uma perspectiva interdisciplinar. A sua missão principal é a de fomentar a investigação dedicada a fornecer aos profissionais da área jurídica, instituições, organizações e cidadãos as tecnologias apropriadas para reforçar o seu trabalho jurídico ou melhorar o exercício de seus direitos. As tecnologias apropriadas neste contexto implicam que a investigação seja orientada para o utilizador, de modo a que tanto o design tecnológico, quanto o seu desenvolvimento, sejam adaptados às necessidades dos utilizadores finais e não o contrário.

O Ponto de Acolhimento Internacional da UAB (IWP-UAB) é um gabinete projectado pelo Gabinete de Relações Internacionais para fornecer serviços a todos os membros estrangeiros da comunidade da UAB. Desta forma, concede ajuda aos alunos, professores, funcionários administrativos e aos funcionários de serviços de outros países. Fornece informações práticas, como por exemplo, quanto a procedimentos jurídicos para os cidadãos da UE e cidadãos de países terceiros, cobertura de saúde para os cidadãos da UE, orçamento para residir em Barcelona e endereços úteis. Além disso, o IWP fornece apoio a estrangeiros quanto a pedidos de autorização de residência e de renovação de autorização para trabalhar, coordena a assistência entre os gabinetes da UAB e ajuda a bolsеiros pós-graduados de carácter internacional.

Além disso, a Faculdade de Direito da UAB (FoL, <https://www.uab.cat/dret/>), o programa de Erasmus Mundus LAST-JD (LAST-JD) e a Sociedade Catalã de Vitimologia (CSV, <https://www.victimologia.cat/>) também contribuem para a investigação de forma qualitativa e quantitativa e também para a sua disseminação. A Faculdade de Direito da UAB recebe, a cada ano, mais de 60 estudantes de outros países através de programas de mobilidade de estudantes (Programa Erasmus) e, a cada ano, cerca de 2.600 pessoas matriculam-se em disciplinas de licenciatura e nos cursos de pós-graduação. A Sociedade Catalã de Vitimologia reúne advogados, psicólogos, médicos, assistentes sociais, entre outros profissionais.

Chi siamo

L'applicazione RightsApp è il risultato principale del progetto "Mobile Technologies applied to protect victims of a crime within the EU Area of Justice: RightsApp for e-Justice" (<http://rightsapp-project.eu>) finanziato dalla "DG-Justice European Union's Programme (2014-2020)" con l'accordo di sovvenzione Grant Agreement 785854.

Il Consorzio è formato da due entità senza scopo di lucro che fanno parte dell'Università Autonoma di Barcellona (UAB, <http://uab.cat>): l'Istituto di diritto e tecnologia dell'UAB (IDT-UAB, <http://idt.uab.cat>) e "International Welcome Point" della UAB (IWP-UAB, <https://www.uab.cat/international-welcome-point/>).

L'Istituto di diritto e tecnologia dell'UAB (IDT-UAB) è un centro di ricerca che promuove la ricerca pionieristica in campo giuridico e tecnologico da un punto di vista interdisciplinare. La sua missione principale è promuovere la ricerca dedicata a fornire ai professionisti legali, alle istituzioni, alle organizzazioni e ai cittadini le tecnologie appropriate per migliorare il loro lavoro legale o migliorare l'esercizio dei loro diritti. Tecnologie appropriate in questo contesto implicano che la ricerca sia centrata sull'utente, in modo che sia il design della tecnologia sia i suoi progressi siano adattati alle esigenze degli utenti finali e non viceversa.

Il "International Welcome Point" dell'UAB è un ufficio progettato dall'Ufficio relazioni istituzionali dell'UAB per fornire servizi a tutti i membri stranieri della comunità UAB. Offrire in tal modo aiuta tutti gli studenti, insegnanti, personale amministrativo e personale di servizio di altri paesi. L'IWP-UAB fornisce informazioni pratiche come procedure legali per i cittadini dell'UE e al di fuori dell'UE, copertura sanitaria per i cittadini dell'UE, budget per vivere a Barcellona e indirizzi pertinenti. Inoltre, l'IWP-UAB fornisce assistenza agli stranieri con il rinnovo dei permessi di soggiorno e di lavoro, coordina l'assistenza fornita dai diversi uffici UAB e offre assistenza ai neolaureati e ai beneficiari di borse di studio provenienti da altri paesi.

D'altra parte, la Facoltà di giurisprudenza dell'UAB (FoL, <https://www.uab.cat/dret/>), LAST-JD Erasmus Mundus (LAST-JD) e Catalan Society of Victimology (CSV, <https://www.victimologia.cat>) contribuiscono anche alla ricerca qualitativa e quantitativa. La Facoltà di Giurisprudenza dell'UAB riceve più di 60 studenti stranieri ogni anno nell'ambito dei suoi programmi di mobilità (Programma Erasmus) e ogni anno circa 2.600 persone si iscrivono a uno dei loro studi universitari o post-laurea. La Società catalana di vittimologia riunisce avvocati, psicologi, medici, operatori sociali, tra gli altri.

ANNEX IV – QUESTIONS AND ANSWERS TRANSLATION

ID	Question texts in Spanish
1	¿Has sido víctima de un delito?
2	¿Qué te ha pasado?
3	Como resultado, ¿Has sufrido incapacidad física o psíquica?
4	¿Quién lo ha hecho?
5	¿Eres mujer?
6	¿Dónde resides?
7	¿Quieres recibir información sobre como poner la denuncia?
8	¿Qué le ha pasado a la víctima?
9	Como resultado, ¿La víctima ha sufrido incapacidad física o psíquica?
10	¿Quién lo ha hecho?
11	¿Es la víctima una mujer?
12	¿Dónde reside la víctima?
13	¿Quiere la víctima recibir información sobre como poner la denuncia?

ID	Answer text in Spanish
1	Sí, he sido víctima de un delito
2	No, busco información para una tercera persona
3	Robo
4	Daños a la propiedad
5	Violencia género/doméstica
6	Agresión física
7	Acoso, amenazas o insultos
8	Estafa
9	Ataque sexual
10	Atentado terrorista
11	Delito de odio o discriminacion
12	Otros
13	Sí
14	No
15	Pareja/Ex-pareja
16	Un miembro del entorno familiar
17	Un tercero
18	España
19	Otro pais miembro de la Unión Europea
20	Un pais fuera de la Unión Europea

ID	Question texts in Portuguese
1	Você foi vítima de um crime?
2	O que aconteceu com você?
3	Como resultado, você sofreu alguma deficiência física ou mental?
4	Quem fez isso?
5	Você é uma mulher?
6	Onde você mora?
7	Você deseja receber informações sobre como arquivar o relatório?
8	O que aconteceu com a vítima?
9	Como resultado, a vítima sofreu alguma deficiência física ou mental?
10	Quem fez isso?
11	A vítima é uma mulher?
12	Onde a vítima reside?
13	A vítima deseja receber informações sobre como arquivar o relatório?

ID	Answer text in Portuguese
1	Sim, eu fui vítima de um crime
2	Não, estou procurando informações para uma terceira pessoa
3	Roubo
4	Danos à propriedade
5	Violência gênero/doméstica
6	Agressão física
7	Assédio, ameaças ou insultos
8	Fraude
9	Ataque sexual
10	Ataque terrorista
11	Crime de ódio ou discriminação
12	Outros
13	Sim
14	Não
15	Casal / Ex-casal
16	Um membro do ambiente familiar
17	Um terceiro
18	Espanha
19	Outro país membro da União Europeia
20	Um país fora da União Europeia

ID	Question texts in Italian
1	Sei stato vittima di un crimine?
2	Cosa ti è successo?
3	Di conseguenza, hai sofferto di disabilità fisiche o mentali?
4	Chi l'ha fatto?
5	Sei una donna?
6	Dove abiti?
7	Vuoi ricevere informazioni su come archiviare il rapporto?
8	Cosa è successo alla vittima?
9	Di conseguenza, la vittima ha subito disabilità fisiche o mentali?
10	Chi l'ha fatto?
11	La vittima è una donna?
12	Dove risiede la vittima?
13	La vittima desidera ricevere informazioni su come presentare il rapporto?

ID	Answer text in Italian
1	Sì, sono stato vittima di un crimine
2	No, sto cercando informazioni per una terza persona
3	Furto
4	Danno alla proprietà
5	Violenza genere/domestica
6	Aggressione fisica
7	Molestie, minacce o insulti
8	Truffa
9	Attacco sessuale
10	Attacco terroristico
11	Crimine di odio o discriminazione
12	Altrui
13	Sì
14	Non
15	Coppia / Ex-coppia
16	Un membro dell'ambiente familiar
17	Un terzo
18	Spagna
19	Un altro membro del paese dell'Unione europea
20	Un paese al di fuori dell'Unione europea

ANNEX V – PARTICLES TRANSLATIONS

ID	Tema	Descripción (texto para la aplicación móvil)
P1	Derecho a ser informado	<ul style="list-style-type: none"> • Sobre apoyo médico y psicológico gratuito • Sobre asesoramiento jurídico gratuito • Medidas de protección • A poder comunicarse y recibir información en una lengua que entienda y de forma gratuita. • A contactar con quién lleva el procedimiento • A recibir notificación de las resoluciones del caso • A recibir copia de la denuncia en caso de que se hiciera • A obtener información del caso • A no querer ser informado
P2	Derecho a entender y ser entendido	<ul style="list-style-type: none"> • Comunicaciones claras y accesibles • En caso de necesidades especiales, se adaptarán las comunicaciones. • Si se es menor, éste puede ir solo o acompañado de quien quiera. • Traducción e interpretación: <ul style="list-style-type: none"> ○ Durante la investigación del caso y de forma gratuita. ○ A recibir información relevante en una lengua que comprenda ○ Si la policía decide no facilitar traducción o interpretación, deberá justificar esta decisión y hacerla constar en el atestado. Se podrá recurrir esta decisión ante el juez.
P3	Derecho a apoyo y asistencia	<ul style="list-style-type: none"> • A recibir información del Servicio de Orientación Jurídica (SOJ-Generalitat de Catalunya). • A estar acompañado por la persona que quiera • A recibir atención personalizada gratuita. • Los familiares de la víctima también podrán acceder a estos servicios sin necesidad de denuncia cuando el delito haya sido grave. • Introducir teléfono y correo de Cruz Roja
P4	Derecho a denunciar	<ul style="list-style-type: none"> • Ejercer acciones penales y civiles • A aportar pruebas o información relevante ante la policía, el juez de guardia o el fiscal. • A denunciar ante la policía, el juez de guardia o el fiscal. • Si se denuncia, se estudiará si son necesarias medidas de protección. <ul style="list-style-type: none"> • Copia de la denuncia en caso de que se hiciera.
P5	Derecho a la protección judicial de las víctimas	<ul style="list-style-type: none"> • Posibilidad de solicitar medidas de protección • Si la víctima es menor, el fiscal determinará las medidas de protección • La víctima y sus familiares tienen derecho a no tener contacto con la persona sospechosa o acusada. • A declarar lo antes posible y el menor número de veces

		<ul style="list-style-type: none"> • A estar acompañada por su abogado y/o persona de confianza que quiera. • A un reconocimiento médico, si es imprescindible y el menor número de veces posible. • Se protegerá la intimidad de las víctimas y sus familiares para impedir la difusión de información que pueda identificarlas especialmente si son menores o tienen necesidades especiales.
P6	Derecho acceso a servicios de justicia restaurativa	<ul style="list-style-type: none"> • Acudir a servicios de mediación para solucionar el caso de forma gratuita. • El mediador/a determinará la posibilidad de llevar a cabo la mediación. • Todas las partes deben consentir en participar • No puede haber riesgo para la víctima, ni de causarle más daños. • No cabe la mediación si se trata de un caso de violencia de género
P7	Derecho asistencia jurídica gratuita	<ul style="list-style-type: none"> • A ser informada sobre la posibilidad de tener un abogado gratuito y los requisitos para poder solicitarlo. • A presentar la solicitud de asistencia jurídica gratuita ante quien le informa, en las oficinas de asistencia a las víctimas o en el Colegio de Abogados:
P8	Derecho reembolso de gastos	<ul style="list-style-type: none"> • A la devolución de los gastos derivados de su participación en el juicio.
P9	Derecho de devolución de bienes	<ul style="list-style-type: none"> • A que se le devuelvan los bienes de su propiedad que hayan sido retenidos durante el proceso. • No tendrá este derecho si: <ul style="list-style-type: none"> ○ Es necesario conservar el bien para el proceso penal ○ No es suficiente con obligar al propietario a que lo conserve ○ Se necesita para realizar una investigación técnica de un accidente
P10	Derecho a participar en el proceso penal	<p>A participar en el proceso penal y especialmente a:</p> <ul style="list-style-type: none"> • Acusar con su propio abogado • Acudir a las autoridades para aportar pruebas o información relevante sobre los hechos
P11	Derecho a ser informado	<p>A ser informada:</p> <ul style="list-style-type: none"> • En una lengua que comprenda • A recibir asesoramiento jurídico gratuito • Sobre medidas de apoyo médicas, psicológicas y de seguridad • Sobre ayudas previstas • Sobre dónde se prestan los servicios de atención, emergencia, apoyo y recuperación integral • Sobre el caso • Sobre renunciar a recibir información del caso • Sobre las resoluciones que establezcan la prisión o libertad del agresor, la fuga de éste, o de las resoluciones que modifiquen las medidas cautelares para garantizar su seguridad. Podrá negarse a recibir estas notificaciones.

		<ul style="list-style-type: none"> Las mujeres víctimas de este delito que tengan necesidades especiales recibirán la información de forma adaptada y comprensible.
P12	Derecho a apoyo y asistencia	<ul style="list-style-type: none"> A estar acompañado por la persona que quiera A recibir una primera asistencia médica y psicológica gratuita en servicios distintos de la Policía y los Tribunales. Los familiares también podrán acceder a estos servicios sin necesidad de denuncia cuando el delito haya sido muy grave. A recibir atención permanente A recibir una actuación urgente A recibir ayudas especializadas A recibir una atención profesional multidisciplinar (atención psicológica, apoyo social, seguimiento de las reclamaciones, apoyo educativo a su familia, formación preventiva y de reinserción laboral. Los menores a su cargo también podrán recibir esta atención. A pedir un abogado gratuito.
P13	Derecho a la protección judicial de las víctimas	<p>Se puede:</p> <ul style="list-style-type: none"> Solicitar una orden de protección Protección de sus datos y limitar la información pública del caso. Solicitar medidas relativas a que el agresor no salga de casa, no pueda comunicarse, no pueda tener armas y limitar los derechos en relación a los hijos.
P14	Derecho a asistencia jurídica gratuita	<ul style="list-style-type: none"> A tener un abogado gratuito antes de denunciar A mantener el mismo abogado en todos los procedimientos Si fallece la víctima, sus herederos pueden tener un abogado gratuito.
P15	Derecho a prestaciones	<p>Derechos laborales y prestaciones de la Seguridad Social si hay orden de protección o el fiscal ve indicios de violencia de género o el servicio acreditado emite un certificado:</p> <ul style="list-style-type: none"> Si la víctima trabaja para otra persona puede solicitar: <ul style="list-style-type: none"> Modificar o reducir su tiempo de trabajo Solicitar movilidad geográfica Solicitar cambio de centro de trabajo Interrumpir el contrato de trabajo garantizando la reincorporación en las mismas condiciones Finalizar el contrato laboral y reconocimiento de situación de desempleo Cualquier ausencia o falta de puntualidad al trabajo estará justificada si lo determinan los servicios sociales Si la víctima trabaja como autónoma: <ul style="list-style-type: none"> Si tiene que dejar de trabajar, podrá no cotizar durante seis meses. Durante este tiempo, estará de alta Puede inscribirse en un programa específico de empleo para las víctimas de violencia de empleo Derecho de las funcionarias públicas si hay orden de protección o el fiscal ve indicios de violencia de género: <ul style="list-style-type: none"> Reducción/Modificación de su tiempo de trabajo Movilidad geográfica de centro de trabajo

		<ul style="list-style-type: none"> ○ Excedencia ○ Ausencias totales o parciales al trabajo justificadas según la ley aplicable. ● Derechos económicos: <ul style="list-style-type: none"> ○ Solicitar ayudas sociales ○ Acceso preferente a la vivienda y residencias públicas para mayores ○ Acceder a la Renta Activa de Inserción (RAI)
P16	Derecho a ser informado acerca de ayudas, indemnizaciones y prestaciones	A recibir información sobre ayudas económicas específicas más amplias.
P17	Derecho a apoyo y asistencia	<p>La víctima de terrorismo puede:</p> <ul style="list-style-type: none"> ● Recibir asistencia psicológica y psiquiátrica inmediatamente y de forma gratuita durante todo el tiempo necesario. ● Recibir asistencia sanitaria fuera del sistema de la Seguridad Social. ● Si la víctima es extranjera, a recibir asistencia sanitaria urgente y asistencia del Consulado de su país. ● Recibir la primera asistencia en la Oficina de Atención a las Víctimas del delito provincial. ● El responsable de prestar asistencia durante todo el proceso es la Oficina de Víctimas de terrorismo (Madrid).
P18	Derecho a acudir a la Asociación de Terrorismo de la Audiencia Nacional	<p>La víctima de terrorismo puede:</p> <ul style="list-style-type: none"> ● Acudir a la Oficina de Atención de Terrorismo de la Audiencia Nacional
P19	Derecho a la protección judicial de las víctimas	<ul style="list-style-type: none"> ● Solicitar medidas de protección ● Si la víctima es menor, el fiscal determinará las medidas de protección ● La víctima y sus familiares pueden no tener contacto con el sospechoso o acusado. ● A declarar lo antes posible y el menor número de veces ● A estar acompañada por su abogado y/o persona de confianza que quiera. ● A un reconocimiento médico, siempre que sea imprescindible y el menor número de veces. ● A la protección de su intimidad y sus familiares con para impedir la difusión de información que pueda identificarlas especialmente si son menores o víctimas con necesidades especiales. ● A no tener relación directa visual o sonora con los imputados o acusados
P20	Derecho a asistencia jurídica gratuita	<ul style="list-style-type: none"> ● A una primera asistencia jurídica gratuita de carácter inmediato a todas las víctimas que lo soliciten. ● A un abogado gratuito durante todo el proceso si acreditan insuficiencia de recursos.
P21	Derecho a prestaciones	<ul style="list-style-type: none"> ● Tiene un año para solicitar las ayudas una vez tenga la valoración médica.

		<ul style="list-style-type: none"> • PRESTACIONES ECONÓMICAS. Los españoles o extranjeros pueden recibir estas prestaciones incluso antes de que se resuelva el caso (gastos del entierro, percepciones por daños personales o materiales). Estas ayudas son compatibles con otras personas y ayudas, están exentas de impuestos. • PRESTACIONES LABORALES Los españoles o extranjeros pueden recibir estas prestaciones incluso antes de que se resuelva el caso (cambio de jornada laboral y traslado de puesto de trabajo). • PRESTACIONES SOCIALES Españoles y extranjeros pueden recibir estas prestaciones incluso antes de que se resuelva el caso (preferencia en la adjudicación y ocupación de vivienda pública y derecho a alojamiento provisional si no puede estar en su vivienda habitual). • AYUDAS EDUCATIVAS Españoles y extranjeros pueden recibir estas ayudas también antes de que se resuelva el caso (no pagar tasas educativas, ayudas para estudiar en caso de imposibilidad de realizar su trabajo habitual si se es víctima de terrorismo y recibir atención individualizada en centros educativos).
P22	Derecho a recibir asistencia consular y diplomática	<ul style="list-style-type: none"> • A recibir asistencia consular y diplomática
P23	Derecho a adquirir la nacionalidad	<ul style="list-style-type: none"> • Los extranjeros y turistas pueden adquirir la nacionalidad española
P24		<ul style="list-style-type: none"> • España le concederá indemnizaciones específicas si en su país de residencia también se indemniza a las víctimas del terrorismo
P25	Derecho a ayudas	<ul style="list-style-type: none"> • Las víctimas de delitos violentos e intencionales de lesiones graves (físicas o psicológicas) o muerte tienen derecho a recibir indemnizaciones del Estado si son españoles, residentes habituales, ciudadanos de un estado de la UE y en algunos casos turistas: <ul style="list-style-type: none"> ○ El Estado pagará la indemnización por el daño sufrido antes de que se resuelva el caso ○ El plazo para pedir las indemnizaciones es de 1 año desde que se sufrió el delito o bien se produjo la condena. • Las víctimas de delitos sexuales (también violentos) tienen derecho a recibir indemnizaciones si son españoles, residentes habituales, ciudadanos de un estado de la UE y en algunos casos turistas: <ul style="list-style-type: none"> ○ Si han sufrido daños psicológicos, se le pagarán los gastos del tratamiento que libremente elijan ○ Si han sufrido daños físicos o muerte además del delito sexual, tendrán derecho a las indemnizaciones previstas para los delitos violentos. ○ El plazo para pedir las indemnizaciones de 1 año desde que se sufrió el delito o desde la condena. ○ Los no residentes pueden solicitar las ayudas en su Estado de residencia.

P26	Derechos ciudadanos extranjeros	<ul style="list-style-type: none"> • A ser informada y asistida del mismo modo que una víctima nacional • A interpretación y traducción de documentos • A denunciar los hechos en España con asistencia de un traductor e intérprete
P27	Derechos ciudadanos de otro país miembro de la UE	<ul style="list-style-type: none"> • A denunciar en su país de residencia • A intervenir en el juicio sin necesidad de trasladarse a España vía videoconferencia o conferencia • Si regresa a España para prestar testimonio puede pedir el reembolso de los gastos de viaje y alojamiento
P28	Derechos ciudadanos de un país no miembro de la UE	<ul style="list-style-type: none"> • A denunciar en su país de residencia si existe convenio bilateral de asistencia judicial entre ambos Estados

ID	Tema	Descrição (texto para a aplicação móvel)
P1	Direito a ser informado	<ul style="list-style-type: none"> • Sobre apoio médico e psicológico gratuito • Sobre patrocínio jurídico gratuito • Medidas de protecção • A poder comunicar-se e a receber informação numa língua que compreenda e de forma gratuita • A contactar a pela autoridade responsável pelo processo • A ser notificada das resoluções sobre o caso • A receber cópia da denúncia caso tenha sido feita • A obter informações sobre o caso • A não querer ser informada
P2	Direito a entender e ser entendido	<ul style="list-style-type: none"> • Comunicações claras e acessíveis • Em caso de necessidades especiais, as comunicações serão adaptadas • Se é menor de idade, pode ir sozinho ou acompanhado por quem quiser • Tradução e interpretação: <ul style="list-style-type: none"> ○ Durante a investigação do caso e de forma gratuita ○ A receber informação relevante numa língua que entenda ○ Se a polícia decidir não fornecer tradução ou interpretação, deve justificar essa decisão e incluí-la no relatório. Esta decisão pode ser apelada perante o juiz.
P3	Direito a apoio e assistência	<ul style="list-style-type: none"> • A receber informações do Serviço de Orientação Jurídica (SOJ-Generalitat de Catalunya). • A ser acompanhado por pessoa que deseje • A receber atenção personalizada gratuita • Os familiares da vítima também poderão aceder a estes serviços sem a necessidade de apresentação de queixa quando o crime for grave. • A digitar o telefone e utilizar o correio da Cruz Vermelha

P4	Direito a denunciar	<ul style="list-style-type: none"> • A exercer acções penais e cíveis • A fornecer provas ou informações relevantes à polícia, ao juiz do processo ou ao procurador • A denunciar perante a polícia, juiz ou procurador • Se houver denúncia, será averiguado se forem necessárias medidas de protecção • À cópia da reclamação, caso venha a ser feita
P5	Direito à protecção judicial das vítimas	<ul style="list-style-type: none"> • De fornecer informação o mais breve possível e o menor número de vezes • Para ser acompanhado pelo seu advogado e / ou uma pessoa de confiança que você deseja. • Um exame médico, se necessário e o menor número de vezes possível. • A privacidade tanto das vítimas, como das suas famílias, será protegida para impedir a disseminação de informações que possam identificá-las, especialmente se forem menores ou tiverem necessidades especiais • Possibilidade de solicitar medidas de protecção • Se a vítima for menor de idade, o procurador determinará as medidas de protecção • A vítima e seus familiares têm o direito de não ter contacto com o denunciado ou arguido. • A prestar depoimento o mais breve possível e o menor número de vezes • Para ser acompanhado pelo seu advogado e / ou uma pessoa de confiança que você deseja. • Um exame médico, se necessário e o menor número de vezes possível. • A privacidade das vítimas e suas famílias será protegida para impedir a disseminação de informações que possam identificá-las, especialmente se forem menores ou tiverem necessidades especiais.
P6	Direito a acesso a serviços de justiça restaurativa	<ul style="list-style-type: none"> • Recorrer a serviços de mediação para resolver o caso de forma gratuita • O mediador determinará a possibilidade de realizar a mediação. • Todas as partes devem consentir em participar • Não pode haver risco para a vítima, nem de causar-lhe mais danos • A mediação não é possível se for um caso de violência de género
P7	Direito a protecção jurídica gratuita	<ul style="list-style-type: none"> • A ser informado sobre a possibilidade de ter um advogado de forma gratuita e os requisitos para requerer ao mesmo • Apresentar o pedido de apoio judiciário à pessoa que o informa, nas organizações de apoio à vítima ou na Ordem dos Advogados
P8	Direito a reembolso de despesas	<ul style="list-style-type: none"> • À devolução de despesas relativas à sua participação no julgamento

P9	Direito à restituição de bens	<ul style="list-style-type: none"> • À restituição dos bens da sua propriedade que tenham sido apreendidos no processo. • Não terá esse direito se: <ul style="list-style-type: none"> ○ For necessário conservar o bem para o processo penal ○ Não for razoável forçar o proprietário a conservar o bem ○ Se for necessário para realizar peritagem de um acidente
P10	Direito a participar no processo penal	<p>A participar no processo penal e especialmente a:</p> <ul style="list-style-type: none"> • Acusar, com o seu próprio advogado • Recorrer às autoridades para aportar provas ou informação relevante sobre os factos
P11	Direito a ser informada	<p>A ser informada:</p> <ul style="list-style-type: none"> • Numa linguagem que compreenda • A receber aconselhamento jurídico gratuito • Sobre medidas de apoio médico, psicológico e de segurança • Sobre ajuda planeada • Sobre onde são fornecidos serviços de atendimento, emergência, apoio e recuperação integral • Sobre o caso • Quanto a renunciar ao direito de receber informação sobre o caso • Sobre as decisões que estabelecem a prisão ou liberdade do agressor, a fuga deste, ou das decisões que modifiquem as medidas cautelares para garantir a sua segurança. Pode recusar-se a receber estas notificações. • As mulheres vítimas deste crime com necessidades especiais receberão as informações de maneira adaptada e compreensível.
P12	Direito a apoio e assistência	<ul style="list-style-type: none"> • A ser acompanhado por pessoa que deseje • A receber uma primeira assistência médica e psicológica gratuita em outros serviços que não a Polícia e Tribunais. Os membros da família também podem aceder a estes serviços sem a necessidade de apresentar queixa quando o crime foi muito grave. • A receber atenção permanente • A receber o apoio devido em casos de urgência • A receber assistência especializada • A receber atendimento profissional multidisciplinar (atendimento psicológico, apoio social, acompanhamento de queixas, apoio educativo para a família, formação preventiva e de reinserção laboral). Os menores a seu cargo também podem receber deste atendimento. • A pedir um advogado gratuito.
P13	Direito à protecção judicial das vítimas	<p>Pode:</p> <ul style="list-style-type: none"> • Solicitar uma ordem de protecção • Protecção dos seus dados e limitar a informação pública do caso. • Solicitar medidas para garantir que o agressor não saia de casa, quanto a ausência de contactos, proibição de posse de armas e limitar os direitos em relação aos filhos.

P14	Direito a assistência jurídica gratuita	<ul style="list-style-type: none"> • A ter um advogado gratuito antes de denunciar • A manter o mesmo advogado em todos os processos • Se a vítima morrer, os seus herdeiros podem ter um advogado a título gratuito
P15	Direito a prestações	<ul style="list-style-type: none"> • Direitos laborais e subsídios da Segurança Social se houver uma ordem de protecção ou se o procurador detectar sinais de violência de género, ou se o serviço credenciado emitir um certificado: • Se a vítima trabalha por conta de outrem pode solicitar: <ul style="list-style-type: none"> ○ Modificar ou reduzir o seu tempo de trabalho ○ Solicitar mobilidade geográfica ○ Solicitar transferência de local de trabalho ○ Interromper o contrato de trabalho garantindo a reintegração nas mesmas condições ○ Pôr termo ao contrato de trabalho e reconhecimento quanto à sua situação de desemprego ○ Qualquer ausência ou falta de pontualidade no trabalho será justificada se for determinada pelos serviços sociais. • Se a vítima trabalha por conta própria: <ul style="list-style-type: none"> ○ Se tiver que deixar de trabalhar, poderá não descontar durante seis meses. Durante este tempo, conta-se como se tivesse a descontar. • Pode inscrever-se num programa específico de emprego para vítimas de violência no trabalho • Direitos dos funcionários públicos, se há uma ordem de protecção, ou se o procurador detectar indícios de violência de género: <ul style="list-style-type: none"> ○ Redução/Modificação do seu tempo de trabalho ○ Mobilidade geográfica do local de trabalho ○ Excedente ○ Ausência total ou parcial ao trabalho justificada de acordo com a lei aplicável. • Direitos económicos: <ul style="list-style-type: none"> ○ Solicitar assistência social ○ Acesso preferencial à habitação e residências públicas para idosos ○ Acesso ao rendimento de inserção activo (RAI)
P16	Direito a ser informado sobre prestações, indemnizações e benefícios	Receber informação sobre assistência financeira específica mais ampla.
P17	Direito a apoio e assistência	<p>A vítima de terrorismo pode:</p> <ul style="list-style-type: none"> • A receber assistência psicológica e psiquiátrica de forma imediata e gratuita pelo tempo que for necessário. • A receber cuidados de saúde fora do sistema de Segurança Social. • Se a vítima for estrangeira, a receber cuidados de saúde urgentes e assistência do Consulado do seu país.

		<ul style="list-style-type: none"> • A receber a primeira assistência no Gabinete de Apoio às Vítimas onde o crime ocorreu (provincial?) • O responsável por prestar assistência durante todo o processo é o Gabinete das Vítimas de Terrorismo (Madrid).
P18	Direito a recorrer à Associação de Terrorismo do Tribunal Nacional	<p>A vítima de terrorismo pode:</p> <ul style="list-style-type: none"> • Recorrer ao Gabinete de Atendimento a vítimas de Terrorismo do Tribunal Nacional [Oficina de Atención de Terrorismo de la Audiencia Nacional]
P19	Direito à protecção judicial das vítimas	<ul style="list-style-type: none"> • A solicitar medidas de protecção • Se a vítima for menor de idade, o procurador determinará as medidas de protecção respectivas • A vítima e os seus familiares podem não ter contacto com o denunciado ou arguido • A prestar depoimento, o mais breve quanto possível, e o menor número de vezes • A ser acompanhado pelo seu advogado e / ou uma pessoa de confiança que deseje • A um exame médico, sempre que seja imprescindível e o menor número de vezes • À protecção da sua intimidade e vida privada, como as da sua família, para prevenção da disseminação de informações que possam identificá-los, especialmente se forem menores ou vítimas com necessidades especiais. • A não ter qualquer relação directa visual ou audível com o denunciado ou arguido.
P20	Direito a assistência jurídica gratuita	<ul style="list-style-type: none"> • A assistência jurídica inicial de natureza imediata a todas as vítimas que o solicitem. • A um advogado a título gratuito durante todo o processo, perante prova de recursos insuficientes.
P21	Direito a prestações	<ul style="list-style-type: none"> • Tem um ano para solicitar apoios uma vez que tenha avaliação médica. • BENEFÍCIOS ECONÓMICOS. Os espanhóis ou os estrangeiros podem receber estes benefícios antes mesmo de o caso ser resolvido (despesas de funeral, compensação por danos pessoais ou materiais). Estes benefícios são compatíveis com outras pessoas e apoios, e são isentos de impostos. • BENEFÍCIOS LABORAIS. Os espanhóis ou os estrangeiros podem receber estes benefícios antes mesmo de o caso ser resolvido (mudança de horário de trabalho e transferência de emprego). • BENEFÍCIOS SOCIAIS. Os espanhóis e os estrangeiros podem receber estes benefícios antes mesmo de o caso ser resolvido (preferência na adjudicação e ocupação de habitação pública e direito ao alojamento provisório se não puderem estar na sua morada habitual). • APOIO EDUCATIVO. Os espanhóis e os estrangeiros podem receber esta ajuda antes que o caso estar resolvido (não pagar taxas de educação, ajuda no estudo se for impossível realizar o seu trabalho habitual se forem vítimas de terrorismo, e receber atenção individualizada nos estabelecimentos de ensino

P22	Direito a receber assistência consular e diplomática	<ul style="list-style-type: none"> • A receber assistência consular e diplomática
P23	Direito a adquirir nacionalidade	<ul style="list-style-type: none"> • Os estrangeiros e os turistas podem adquirir a nacionalidade espanhola
P24		<ul style="list-style-type: none"> • A Espanha concederá indemnizações específicas às vítimas de terrorismo, se no seu país de residência houver lugar a indemnização
P25	Direito a apoio	<p>As vítimas de crimes violentos e intencionais, do qual resultaram lesões graves (corporais ou psicológicas) ou morte têm direito a receber uma indemnização do Estado se forem espanhóis, residentes habituais, cidadãos de um Estado da UE e, em alguns casos, turistas:</p> <ul style="list-style-type: none"> ○ O Estado pagará uma indemnização pelo dano sofrido antes que o caso esteja resolvido ○ O prazo para pedir a indemnização é de um ano a contar da data dos factos, ou da decisão final de condenação <ul style="list-style-type: none"> • As vítimas de crimes sexuais (também violentos) têm direito a indemnização se forem espanhóis, residentes habituais, cidadãos de um estado da UE e, em alguns casos, turistas: <ul style="list-style-type: none"> ○ Se sofreram danos psicológicos, receberão as despesas de tratamento que escolham livremente ○ Se sofreram danos corporais ou morte, além do crime sexual, terão direito à indemnização por crimes violentos. ○ O prazo para pedir a indemnização é de um ano a contar da data dos factos, ou da decisão final de condenação ○ Os não residentes podem solicitar assistência no seu estado de residência.
P26	Direitos dos cidadãos estrangeiros	<ul style="list-style-type: none"> • A ser informado e assistido da mesma forma que uma vítima nacional • A interpretação e tradução de documentos • A denunciar os factos do caso em Espanha com assistência de um tradutor e intérprete
P27	Direitos dos cidadãos de outro país membro da UE	<ul style="list-style-type: none"> • A denunciar no seu país de residência • A intervir em julgamento, sem necessidade de deslocar-se a Espanha, através de videoconferência ou conferência • Se regressar a Espanha para prestar depoimento, poderá solicitar o reembolso das despesas de viagem e alojamento
P28	Direitos dos cidadãos de um país não membro da UE	<ul style="list-style-type: none"> • A participar, no seu país de residência, se existe um acordo bilateral de cooperação judicial mútua entre os dois Estados

ID	Tema	Descrizione (testo per l'applicazione mobile)
P1	Diritto di ottenere informazioni	<ul style="list-style-type: none"> • Sull'assistenza sanitaria e psicologica • Sulla assistenza di un legale e il patrocinio a spese dello Stato • Sulle misure di protezione • Informazioni sul diritto di comunicare e ricevere informazioni nella lingua compresa dalla vittima gratuitamente • A chi rivolgersi per comunicazioni sul proprio caso • Ricevere notifica delle decisioni prese sul proprio caso • Ricevere copia della denuncia qualora si fosse effettuata • Ottener informazioni sul proprio caso • Diritto di non voler essere informato
P2	Diritto di comprendere e di essere compresi	<ul style="list-style-type: none"> • Comunicazioni semplici e accesibili • Nell'eventualità di esigenze specifiche le comunicazioni devono essere adattate. • In caso di vittima minorenni, essa può presentarsi sola o accompagnata da una persona di sua scelta. • Traduzione e interpretazione: <ul style="list-style-type: none"> ○ Per tutta la durata delle indagini e in maniera gratuita. ○ Le informazioni pertinenti al caso saranno fornite in una lingua che la vittima comprende ○ Qualora la polizia decidesse di non fornire traduzione e interpretazione, è necessario che questa decisione sia debitamente giustificata, e che tale giustificazione sia inclusa nel rapporto del caso. La vittima ha sempre il diritto, inoltre, di appellarsi contro questa decisione davanti al giudice.
P3	Diritto di sostegno e di accesso ai servizi di assistenza alle vittime	<ul style="list-style-type: none"> • A ricevere informazione del Servizio di Orientamento Legale (SOJ-Generalitat de Catalunya). • A essere accompagnato da una persona di sua scelta • A ricevere attenzione personalizzata gratuita • I parenti della vittima potranno accedere a questi servizi senza la necessità di sporgere denuncia quando il crimine sia stato di particolare gravità.
P4	Diritto a denunciare	<ul style="list-style-type: none"> • Eseguire azioni criminali e civili • Fornire elementi di prova e informazioni pertinenti alla polizia, al giudice di turno o al pubblico ministero. • A sporgere denuncia davanti alla polizia, il giudice di turno o al pubblico ministero • Qualora si sporga denuncia, si studierà se fossero necessarie misure di protezione. • Ricevere copia della denuncia qualora si fosse effettuata
P5	Diritto alla protezione giudiziaria	<ul style="list-style-type: none"> • Possibilità di richiedere misure di protezione • Se la vittima è minorenni, sarà il pubblico ministero a determinare le misure protettive • La vittima e i suoi parenti hanno il diritto di non entrare in contatto con l'indagato o l'imputato.

		<ul style="list-style-type: none"> • Dichiarare senza indebito ritardo e che il numero delle audizioni sia limitato al minimo • Essere accompagnati dal proprio rappresentante legale e/o da una persona di sua scelta • Le visite mediche siano limitate al minimo e abbiano luogo solo se strettamente necessarie ai fini del procedimento penale • La privacy delle vittime e delle loro famiglie sarà protetta al fine di prevenire la diffusione di informazioni che l'identificazione, soprattutto se si tratta di minori o vittime con esigenze specifiche
P6	Diritto di accesso ai servizi di giustizia riparativa	<ul style="list-style-type: none"> • Rivolgersi a servizi di mediazione per risolvere il caso • Il mediatore determinerà la possibilità di svolgere la mediazione. • Si richiede il consenso libero e informato di tutte le parti • Non c'è rischio per la vittima e la giustizia riparativa non può casusare ulteriori danni • La mediazione non è possibile se si tratta di violenza di genere
P7	Diritto al patrocinio a spese dello Stato	<ul style="list-style-type: none"> • A essere informata sulla possibilità di avere accesso al patrocinio a spese dello Stato e le condizioni di accesso • A presentare la richiesta di patrocinio a spese dello Stato davanti all'autorità che prevede l'informazione, gli uffici di assistenza alle vittime o l'Ordine degli avvocati.
P8	Diritto al rimborso delle spese	<ul style="list-style-type: none"> • Rimborso delle spese sostenute a seguito all'attiva partecipazione al procedimento
P9	Diritto alla restituzione dei beni	<ul style="list-style-type: none"> • A la restituzione del beni sequestrati nell'ambito del procedimento penale. • La vittima non avrà questo diritto se: <ul style="list-style-type: none"> ○ Risulta necessario conservare il bene per il processo criminale ○ Non è sufficiente obbligare il proprietario a mantenere/conservare il bene ○ Il bene è necessario per una indagine tecnica su un incidente.
P10	Diritto alla partecipazione al processo penale	<p>Alla partecipazione al procedimento penale e in particolare a:</p> <ul style="list-style-type: none"> • Accusare con il proprio avvocato • Rivolgersi alle autorità per fornire prove o informazioni pertinenti ai fatti.
P11	Diritto di ottenere informazioni	<p>Ad essere informata:</p> <ul style="list-style-type: none"> • In una lingua che comprende • A ricevere consulenza legale gratuita • Sull'assistenza sanitaria e psicologica e le misure di sicurezza • Sui sussidi previsti • Su dove trovare i servizi di assistenza, emergenza, sostegno e recupero completo • Sul caso • Sulla possibilità di rinunciare a essere informato • Sulle risoluzioni che stabiliscono il carcere o la libertà dell'aggressore, la fuga di questo, o delle risoluzioni che modificano le misure precauzionali per garantire la sicurezza della vittima. Si può rinunciare a ricevere queste notifiche.

		<ul style="list-style-type: none"> Le donne vittime di questo reato che abbiano esigenze specifiche riceveranno informazioni comprensibili ed adeguate alle stesse.
P12	Diritto di sostegno e di accesso ai servizi di assistenza alle vittime	<ul style="list-style-type: none"> A essere accompagnata da una persona di sua scelta A ricevere una prima assistenza medica e psicologica gratuita in servizi diversi dalla polizia e dai tribunali. I parenti della vittima potranno accedere a questi servizi senza la necessità di sporgere denuncia quando il crimine sia stato di particolare gravità. A ricevere una assistenza permanente A ricevere un'azione urgente A ricevere assistenza specializzata A ricevere assistenza professionale multidisciplinare (assistenza psicologica, aiuto sociale, monitoraggio delle domande, supporto educativo per la propria famiglia, formazione preventiva e reinserimento lavorativo). Anche i minori a loro carico possono ricevere questa assistenza. A richiedere il patrocinio a spese dello Stato
P13	Diritto alla protezione giudiziaria	<p>La vittima può:</p> <ul style="list-style-type: none"> Richiedere un'ordine di protezione Richiedere la protezione dei dati e la limitazione delle informazioni pubbliche del caso. Richiedere misure per garantire che l'aggressore non lasci la casa, non possa comunicare, non possa avere possesso di armi e gli si limitino i diritti in relazione ai figli.
P14	Diritto al patrocinio a spese dello Stato	<ul style="list-style-type: none"> Al patrocinio a spese dello Stato Ad essere assistita dallo stesso avvocato in tutti i procedimenti Qualora la vittima morisse, gli eredi hanno il diritto al patrocinio a spese dello Stato.
P15	Diritto alle prestazioni di previdenza sociale	<p>Diritti lavorativi e prestazioni di previdenza sociale qualora ci fosse un'ordine di protezione o se il pubblico ministero vede segni di violenza di genere:</p> <ul style="list-style-type: none"> Se la vittima è lavoratrice dipendente: <ul style="list-style-type: none"> Modificare o ridurre il tempo di lavoro Richiedere mobilità geografica Richiedere un cambio di centro di lavoro Interruzione del contratto di lavoro con garanzia di reintegrazione alle stesse condizioni Completare il contratto di lavoro con riconoscimento di situazione di disoccupazione Qualsiasi assenza o mancanza di puntualità al lavoro sarà giustificata se è determinata dai servizi sociali Se la vittima è lavoratrice autonoma: <ul style="list-style-type: none"> In caso di dover sospendere il lavoro, non dovrà pagare i contributi per sei mesi, pur rimanendo iscritta al sistema. Esiste la possibilità di iscriversi a un programma di lavoro specifico per le vittime di violenza sul lavoro Diritto delle dipendenti pubbliche qualora ci fosse un'ordine di protezione o se il pubblico ministero vede segni di violenza di genere:

		<ul style="list-style-type: none"> ○ Modificare o ridurre il tempo di lavoro ○ Richiedere mobilità geografica o del centro di lavoro ○ Esenzione ○ Assenze totali o parziali dal lavoro giustificate secondo la legge applicabile. <ul style="list-style-type: none"> ● Diritti economici: <ul style="list-style-type: none"> ○ Richiedere sussidi sociali ○ Accesso preferente all'abitazione e a residenze per anziani pubbliche ○ Accesso al Reddito Attivo di Inserimento (RAI)
P16	Diritto di ottenere informazioni su sussidi, indennità e benefici	Diritto di ottenere informazioni su sussidi più specifici
P17	Diritto di sostegno e di accesso ai servizi di assistenza alle vittime	<p>La vittima di terrorismo ha il diritto di :</p> <ul style="list-style-type: none"> ● Ricevere assistenza psicologica e psichiatrica immediatamente e gratuitamente per tutto il tempo necessario. ● Ricevere assistenza medica oltre al sistema di previdenza sociale. ● Qualora la vittima fosse straniera, ha il diritto di ricevere assistenza medica urgente e assistenza del Consolato del suo paese. ● Ricevere la prima assistenza dal Ufficio provinciale di Assistenza alle vittime dove ci sia uno.
P18	Diritto di accedere all' Ufficio di Assistenza per il Terrorismo dell'Audiencia Nacional.	<p>La vittima di terrorismo ha il diritto di:</p> <ul style="list-style-type: none"> ● Rivolgersi all'Ufficio di Assistenza per il Terrorismo dell'Audiencia Nacional.
P19	Diritto alla protezione giudiziaria	<ul style="list-style-type: none"> ● Possibilità di richiedere misure di protezione ● Se la vittima è minorenne, sarà il pubblico ministero a determinare le misure protettive ● La vittima e i suoi parenti hanno il diritto di non entrare in contatto con l'indagato o l'imputato. ● Dichiarare senza indebito ritardo e che il numero delle audizioni sia limitato al minimo ● Essere accompagnati dal proprio rappresentante legale e/o da una persona di sua scelta ● Le visite mediche siano limitate al minimo e abbiano luogo solo se strettamente necessarie ai fini del procedimento penale ● La privacy delle vittime e delle loro famiglie sarà protetta al fine di prevenire la diffusione di informazioni che l'identificazione, soprattutto se si tratta di minori o vittime con esigenze specifiche ● A non avere una relazione visiva o udibile diretta con l'imputato
P20	Diritto al patrocinio a spese dello Stato	<ul style="list-style-type: none"> ● Ad una prima consulenza legale immediata a spese dello Stato a tutte le vittime che lo richiedano.

		<ul style="list-style-type: none"> Al patrocinio a spese dello Stato durante tutto il processo se dimostrano risorse insufficienti.
P21	Diritto ai sussidi e alle prestazioni	<ul style="list-style-type: none"> La vittima deve richiedere i sussidi e prestazioni entro un anno dalla valutazione medica. PRESTAZIONI ECONOMICHE. Le vittime hanno diritto a queste prestazioni, anche prima della risoluzione del caso, (indipendentemente dalla nazionalità): spese funebri, compensi per lesioni o danni materiali. Queste prestazioni sono compatibili con altre prestazioni e sono esente di tasse. PRESTAZIONI DEL LAVORO. Le vittime hanno diritto a queste prestazioni, anche prima della risoluzione del caso, (indipendentemente dalla nazionalità): (cambio della giornata lavorativa e trasferimento del posto di lavoro). PRESTAZIONI SOCIALI. Le vittime hanno diritto a queste prestazioni, anche prima della risoluzione del caso, (indipendentemente dalla nazionalità): preferenze nell'aggiudicazione delle abitazioni di protezione pubblica e diritto all'alloggio provvisorio se devono lasciare temporaneamente. AIUTI ALL'ISTRUZIONE. Le vittime hanno diritto a queste prestazioni, anche prima della risoluzione del caso, (indipendentemente dalla nazionalità): non pagare tasse scolastiche, borse di studio qualora la vittima lo sia di terrorismo e sia impossibilitata a svolgere il suo solito lavoro e a ricevere assistenza specializzata nel centro scolastico.
P22	Diritto di ricevere assistenza consolare e diplomatica	<ul style="list-style-type: none"> A ricevere assistenza consolare e diplomatica
P23	Diritto di acquisire nazionalità	<ul style="list-style-type: none"> Gli stranieri e turisti possono acquisire la cittadinanza spagnola.
P24		Avere diritto al risarcimento specifico da parte dello Stato Spagnolo se, nel paese di residenza le vittime del terrorismo sono riconosciute
P25	Diritto a sussidi	<ul style="list-style-type: none"> Le vittime di reati violenti e intenzionali di lesioni gravi (fisiche o psicologiche) o di morte hanno diritto a ricevere un risarcimento dallo Stato se sono spagnoli, residenti abituali, cittadini di uno stato dell'UE e, in alcuni casi, turisti: <ul style="list-style-type: none"> Lo Stato pagherà il risarcimento per il danno subito prima che il caso venga risolto Il termine per richiedere il risarcimento è di 1 anno dopo che il reato è stato commesso o si è verificata la condanna. Le vittime di reati sessuali (anche violenti) hanno diritto a ricevere un risarcimento se sono spagnoli, residenti abituali, cittadini di uno stato dell'UE e, in alcuni casi, turisti: <ul style="list-style-type: none"> Se hanno subito danni psicologici, saranno pagati i costi del trattamento che scelgono liberamente Se hanno subito danni fisici o la morte oltre al crimine sessuale, avranno diritto al risarcimento previsto per crimini violenti.

		<ul style="list-style-type: none"> ○ Il termine per richiedere il risarcimento è di 1 anno dal momento in cui il reato è stato commesso o dalla sentenza. ○ I non residenti possono richiedere il risarcimento nel suo Stato di residenza
P26	Diritti dei cittadini stranieri	<ul style="list-style-type: none"> ● Ad essere informata nel mismo modo che una vittima nazionale ● A interpretazione e traduzione di documenti ● A sporgere denuncia in Spagna con l'assistenza di un traduttore e interprete
P27	Diritti dei cittadini residenti in un altro Stato membro dell'UE	<ul style="list-style-type: none"> ● A sporgere la denuncia nel suo paese di residenza ● A partecipate al processo senza viaggiare in Spagna, via teleconferenza o conferenza ● Se la vittima viaggiasse in Spagna per dare testimonianza avrà il diritto al rimborso delle spese
P28	Diritti dei cittadini di un Stato non membro dell'UE	<ul style="list-style-type: none"> ● A sporgere la denuncia nel suo paese di residenza se esiste convenzione bilaterale di assistenza giudiziaria