

Programmed Load sharing of Transformer

Siddharth S. Jadhav^{1,}, Abhinandan A. Nargude¹, Rushikesh G. Chougule¹,
Karan R. Hajare¹, Mr. P. A. Thorat²*

¹*Student, Department of Electrical Engineering, Sharad Institute of Technology, Polytechnic,
Maharashtra, India*

²*Lecturar, Department of Electrical Engineering, Sharad Institute of Technology, Polytechnic,
Maharashtra, India*

***Email:** *siddharthj435@gmail.com*

Abstract

The transformer is expensive and massive gear of intensity framework. It works for 24 hours of multi day and feeds the heap. Once in a while the circumstance may happen when the heap on transformer all of a sudden increased above it's the heap. At times the circumstance may occur when the heap on the transformer is all of a sudden increased above its appraised limit. At the point when this circumstance happens, the transformer will be over-burden and overheated and harmed the protection of transformer bringing about interference of supply. The best answer for maintain a strategic distance from the over-burdening is to work the quantity of transformers in parallel. It is same like parallel operation transformers where the number of transformers shares the framework load. In the suggested approach second transformer will share the heap when the heap on the primary transformer will transcend its evaluated limit. Power disappointment is a short or long haul loss of electric capacity to a region for the most part cost reason by short out, harm to Electric transmission line, overvoltage, issues at power stations and all the more normally disappointment due to over-burdening. The possible Damage territories are influenced by losing power. The one innate issue with standard power sharing and observing units is their broadcast quality. Since you must be physically near the alert to hear it, you probably won't get advised so as to actually prevent over-burden. The smaller scale controller based burden sharing and control framework is a gadget that consequently controls overload on a generator by sharing force and cut off supply once the power utilization surpasses the measure of intensity provided.

Keywords: *Transformer, framework, electric capacity, scale*

INTRODUCTION

The transformer is expensive and massive gear of intensity framework. It works for 24 hours of multi day and feeds the heap. Once in a while the circumstance may happen when the heap on transformer all of a sudden increased above it's the heap. At times the circumstance may occur when the heap on the transformer is all of a sudden increased above its appraised limit. At the point when this circumstance happens, the transformer will be over-burden and overheated and harmed the protection of transformer bringing about interference of supply. The best answer for maintain a strategic distance from the over-burdening

is to work the quantity of transformers in parallel. It is same like parallel operation transformers where the number of transformers shares the framework load. In the suggested approach second transformer will share the heap when the heap on the primary transformer will transcend its evaluated limit. The near analyzes the heap on the main transformer with a reference esteem. At the point when the heap surpasses the reference esteem, the second transformer will naturally be associated in parallel with first transformer and offer the additional heap. In this manner, two transformers work productively under over-burden condition and the harm can be

counteracted. For home machines, business and modern loads, the transmitted

voltage must be soaked down to a dispersion level.

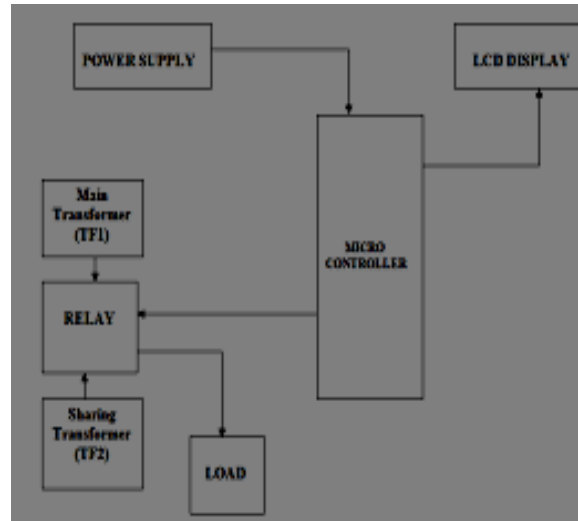


Figure 1: Block Diagram.

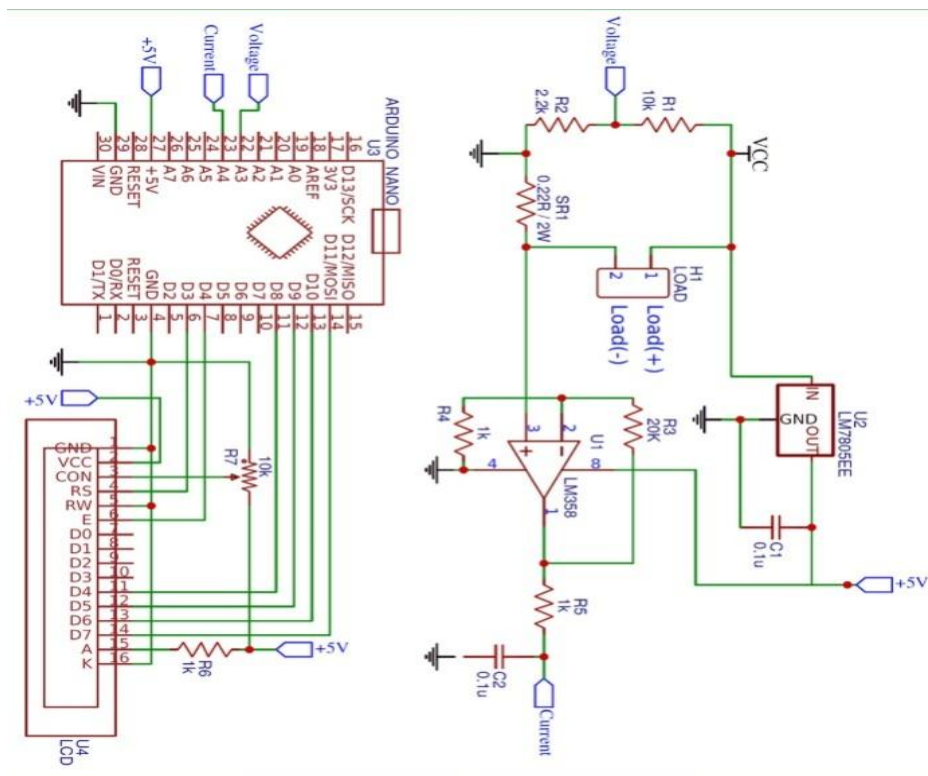


Figure 2: Circuit Diagram.

BLOCK DIAGRAM EXPLANATION

Relay

Transfers are components which permit low power circuit to operate high current application circuits. It is an electrically operated switch and is utilized where it is important to control a circuit by a low power motion with complete electrical

segregation among control and controlled circuits, or where several circuit must be constrained by one flag. The hand-off utilized here is of electromagnetic sort.

Transformers

A transformer is an electrical gadget that exchange electrical vitality between at

least two circuits through electromagnetic acceptance transformers changes over AC voltage starting with one dimension then onto the next dimension with a little loss of intensity. A transformer operates on the guideline of "electromagnetic acceptance", as mutual induction. The transformer utilized here is a step down transformer with the goal that it very well may be straightforwardly nourished to the estimating gadgets by amendment.

Circuit Breaker

An electrical switch is utilized to segregate the flawed piece of the power framework if there should be an occurrence of irregular conditions, for example, short comings. It is a defensive gadget which empowers and de-stimulates a circuit and gives over – current insurance. Electrical switch operates on receiving a flag from hand-off.

Microcontroller

The microcontroller is utilized to contrast the heap current and reference esteem. Atmega 328 controller is utilized for this reason and it likewise gives an arrangement to GSM module and in fabricated ADC.

Current Transformer

The present transformer is a sort of "instrument transformer" that is intended to create an exchanging current in its auxiliary winding which is proportional to the current being estimated in its essential. Flow transformer diminish high voltage flows to a much lower esteem and give a convenient method for securely observing the actual electrical flow streaming in an AC transmission line utilizing a standard ammeter.

Table 1: Specification of Current Transformer.

Component	Rating
1.Transformers	230V/110V
2.Relay	5A
3. Smaller scale controller	8051mc
4.Resister	1 ohm
5. Capacitor	2200mf

PROPOSED WORK

1. Burdens are provided from a solitary transformer under typical condition and a backup transformer is associated in parallel to electrical switch.
2. A current transformer estimates the heap current persistently and bolsters it to the controller by changing over it to a relating DC esteem so as to contrast and the reference esteem set by the client.
3. At whatever point the heap current exceeds reference esteem the controller sends a high flag to the hand-off which energies to the hand-off loop. The transfer curls therefore send a stumbling sign to the electrical switch of the backup transformer.
4. Accordingly the heap is share by the transformer similarly as the transformer are indistinguishable. The present transformer still estimates the heap current and contrasts it and the reference esteem.
5. Whenever the heap current falls underneath reference esteem one transformer is closed down and this is done in an alternative manner to avoid thermal overloading.
6. In this task following materials are utilized 8051 Micro controller 2. Relay 3. Transformer (2) 4. Scaffold Rectifier 5. LCD Display.
7. If the heap esteem increments further past the limit of two transformer burden will be cut off from the principle supply dependent on the need level set by the client. This is done to give UN-interfered with power supply to higher need loads.
8. Each of the procedure is educated to the controller by GSM and the heap parameters combatively showed in the LCD.

Advantages

1. The heap is share by transformers is naturally.
2. Emmanuel mistakes are occurring.
3. It keeps the fundamental transformer

from harm because of the issues like over-burden and overheats.

4. UN-interfered with power supply to the shoppers is provided.

RESULTS

1. Hardware usage of the heap sharing base wear small scale controller was produced utilizing 8051 smaller scale controller.
2. Also multi sim programming use in this venture and yield will be confirmed.
3. Simulation was done is PROTEUS and yield was checked
4. It gave UN-interfered with power supply to specific burdens like clinics.

Burden is share by the transformer if the blame happens on line or feeder.

CONCLUSION

The work on "Modified weight sharing of transformer" is viably arranged attempted and a demo unit is made for talking two transformer in parallel to share the load normally with the help of advancement

over exchange and hand-off driver circuit. Similarly to shield the transformers from over-troubling and subsequently giving UN-meddled with power supply of the customers.

REFERENCE

1. kulkarni S.V. & Khaparde S.A. Transformer Energy Design And Practical. *Crc Press, Edition – 2004*. 2004: pp. 32-33.
2. Samarjit Ghosh. Electrical machine, Pearson Education India. *Edition*. 2005: pp.77-80.
3. Kothari D.P. Electrical machine. *Tata McGrawHill Education, Edition-3*: pp.126-127.
4. Boylestad R. L. & Nashelsky L. Electronic Devices and Circutt Theory. *Kendallville, New Jersey, USA*. 1988: pp. 101-103.
5. Piotr Biczal, Andrzej Jasiński & Jacek Lachecki. Power Gadgets Devices in current power frameworks'. *IEEE Eurocon 2007, Warsaw, Poland*. September 9-12, 2007.