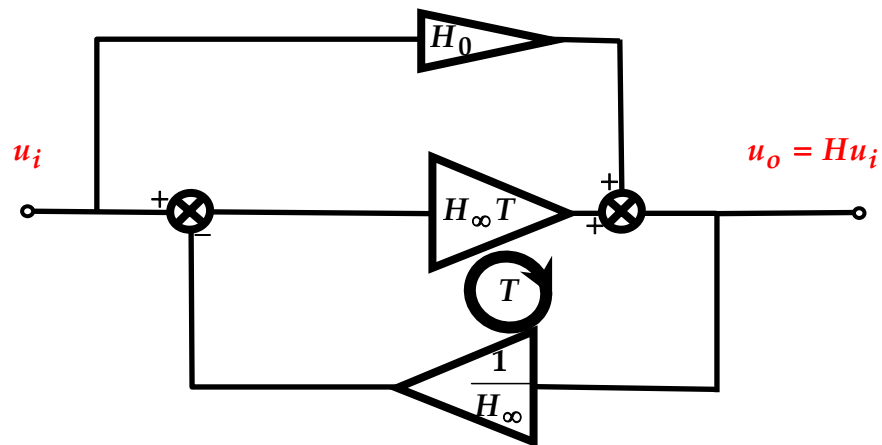
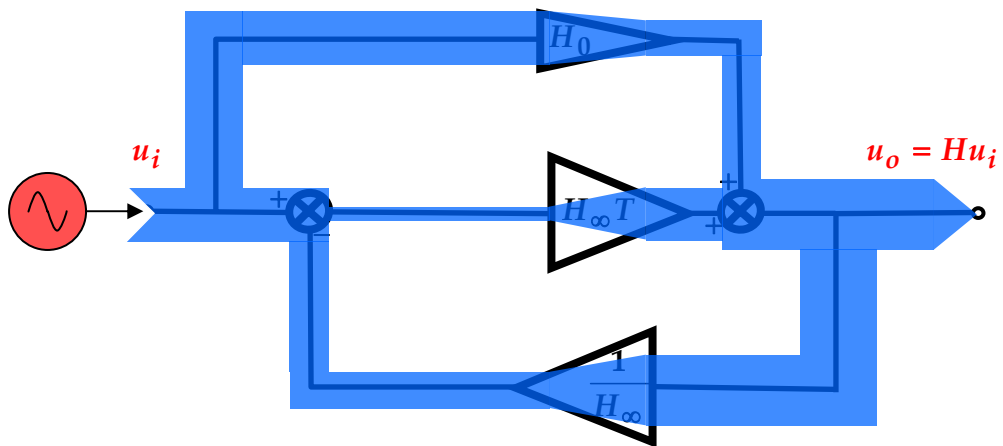
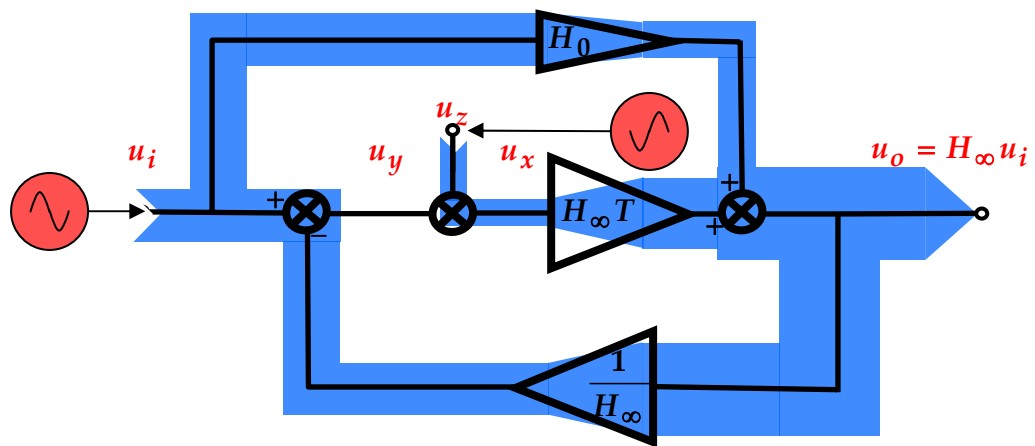
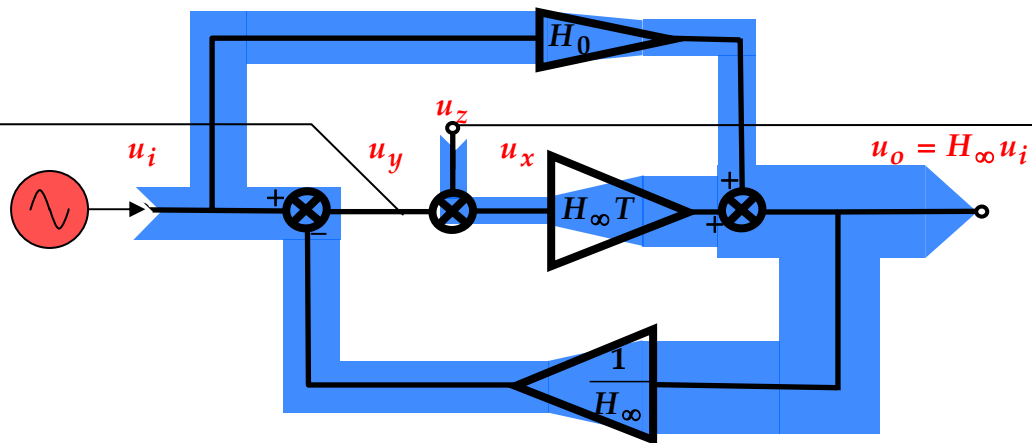
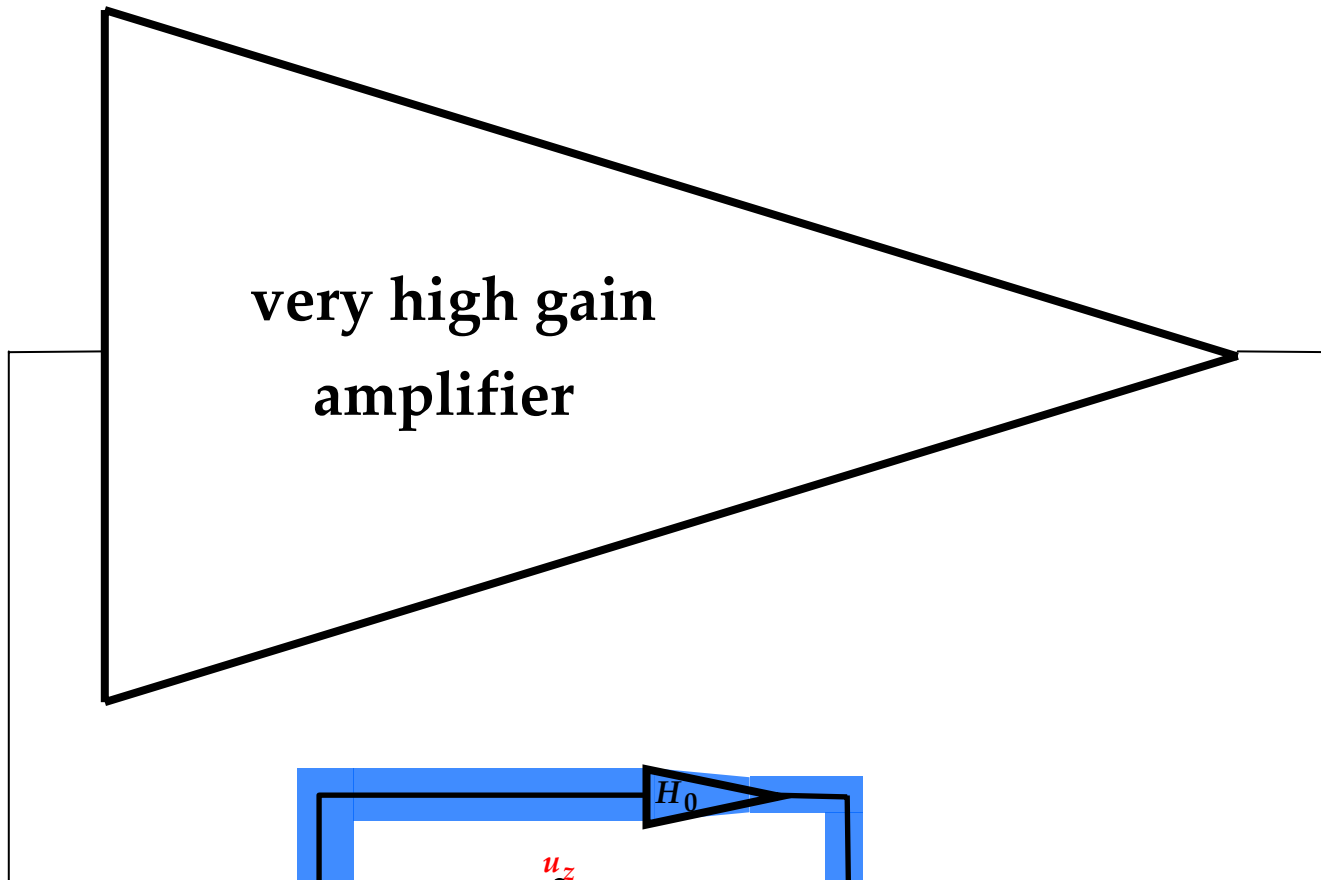


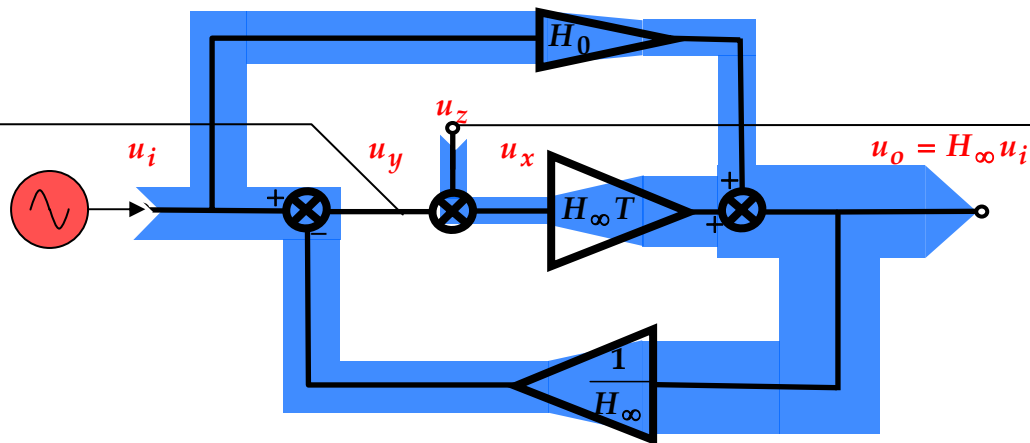
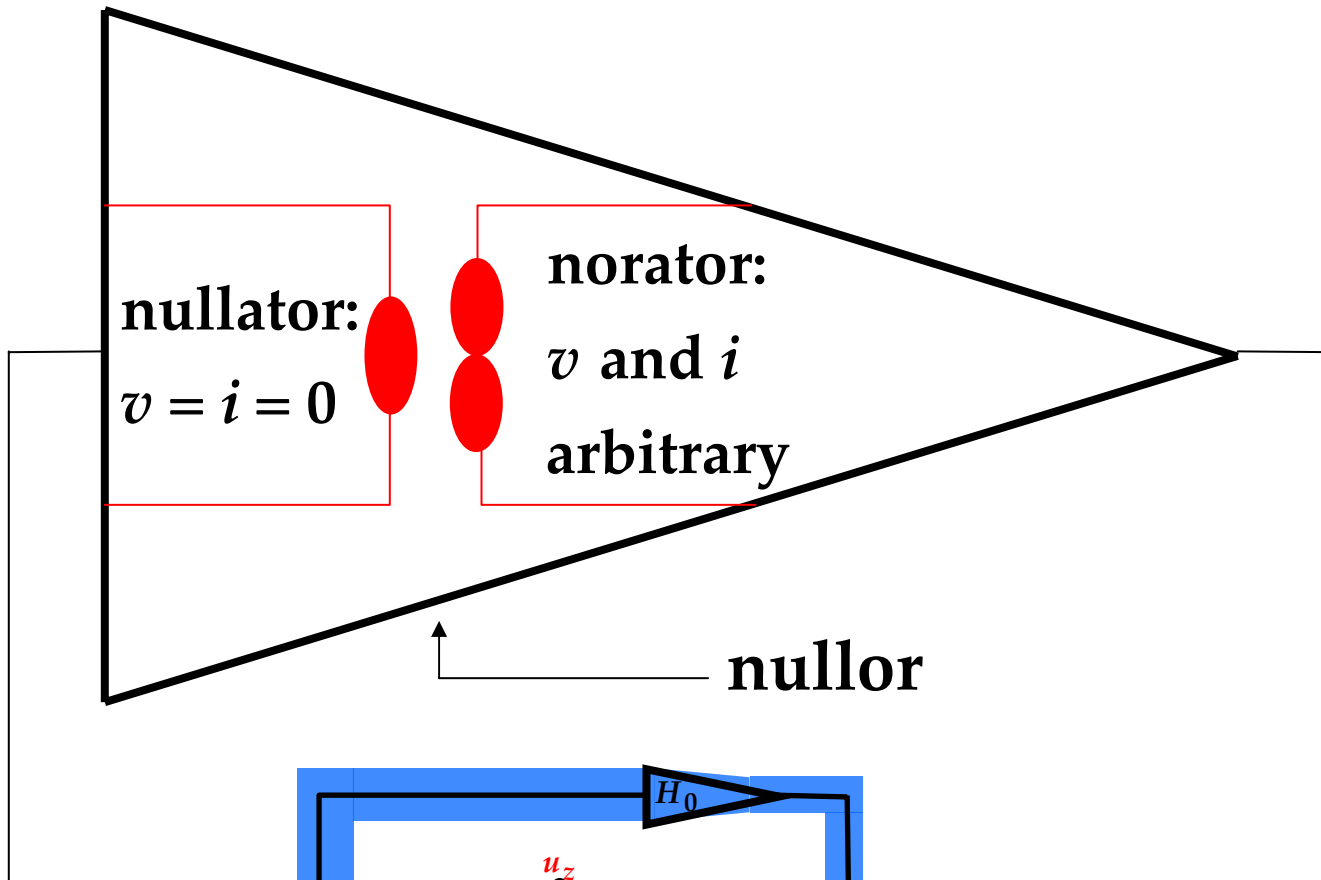
How to implement an ndi condition



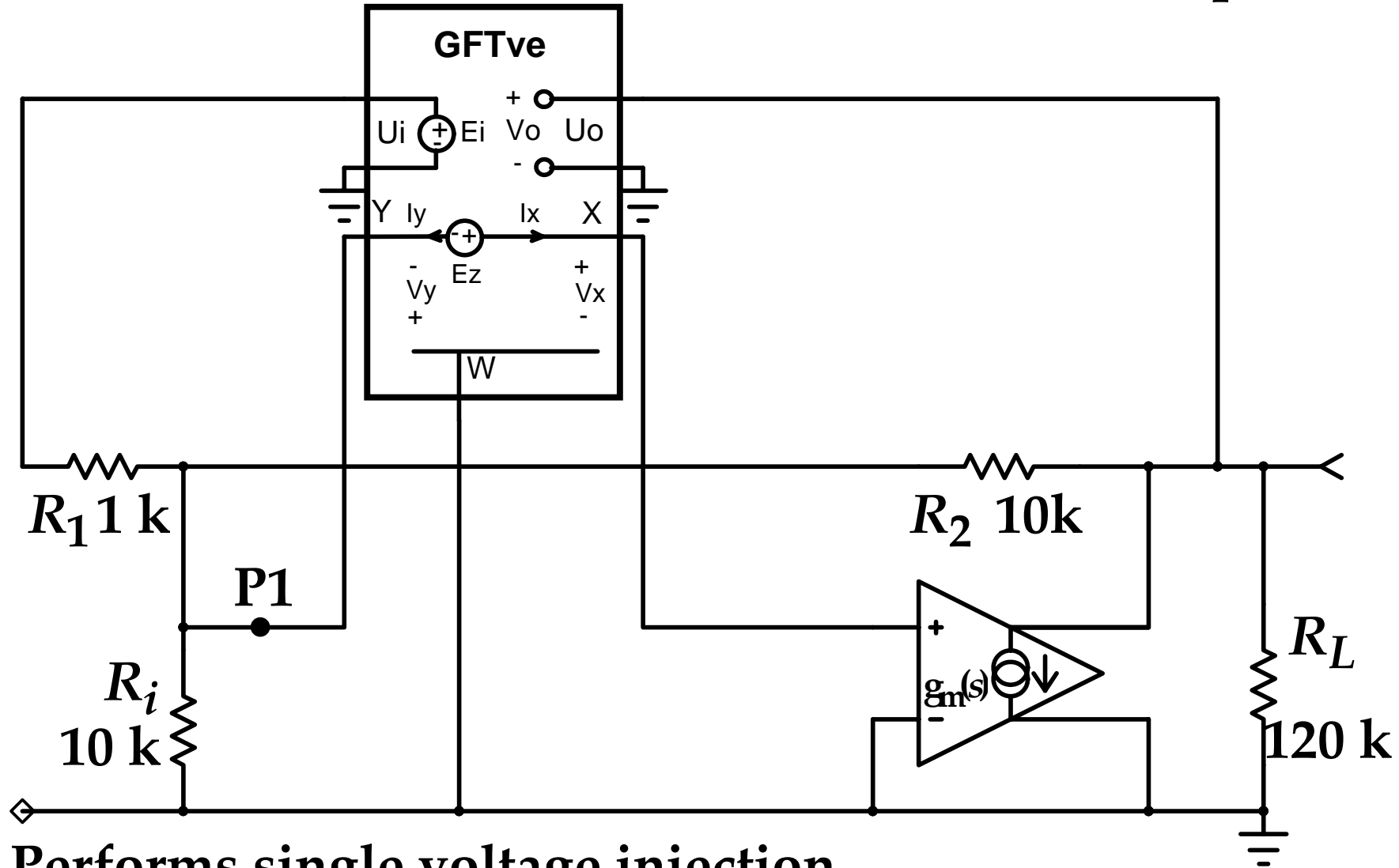






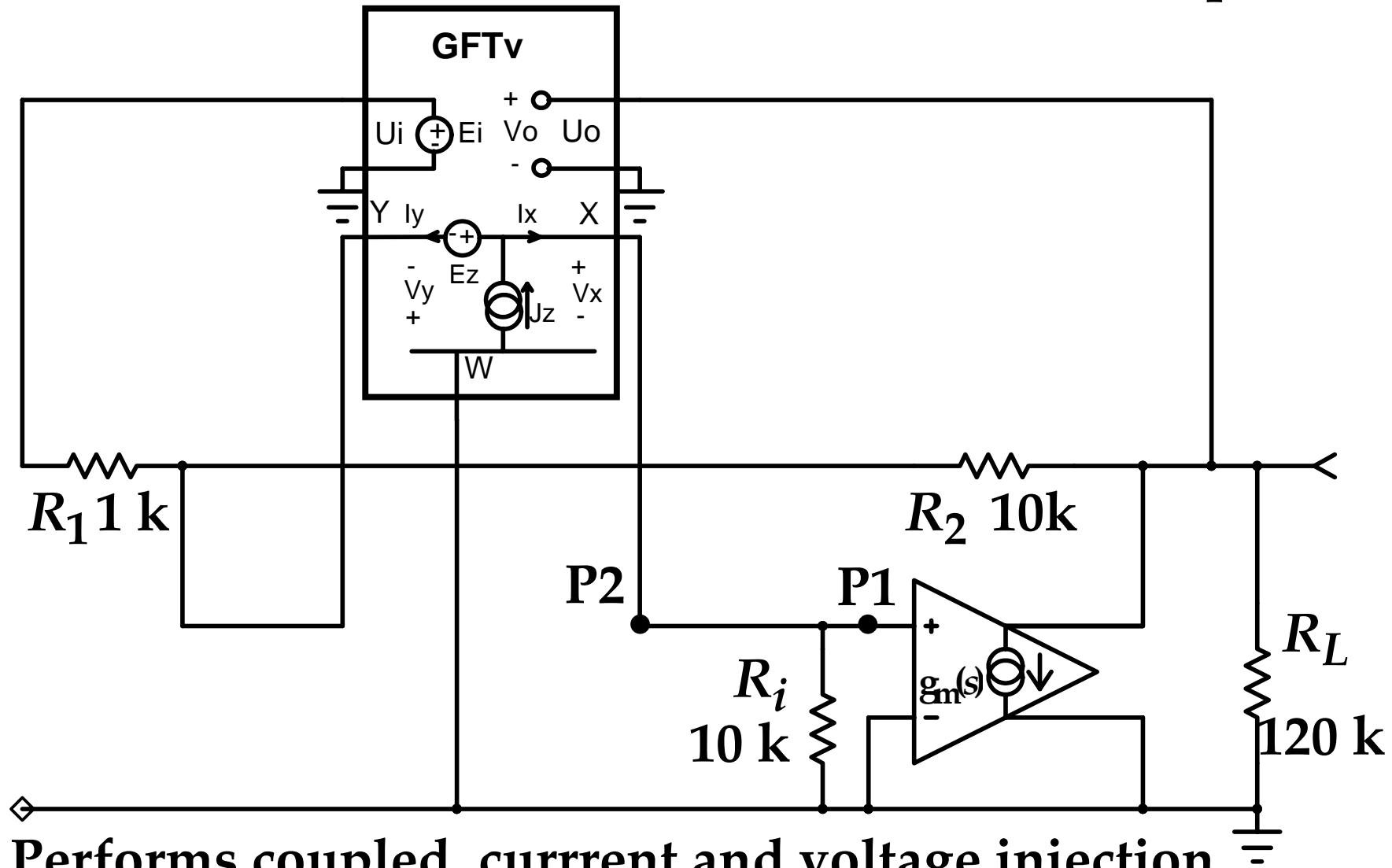


Intusoft ICAP/4 Circuit Simulator with GFT Template



Performs single voltage injection
at the ideal point P1

Intusoft ICAP/4 Circuit Simulator with GFT Template



Performs coupled current and voltage injection
at the same nonideal point P2