

Cyber-Physical Attacks in Power Networks: Models, Fundamental Limitations and Monitor Design

Fabio Pasqualetti, Florian Dörfler, and Francesco Bullo

Abstract—Future power networks will be characterized by safe and reliable functionality against physical and cyber attacks. This paper proposes a unified framework and advanced monitoring procedures to detect and identify network components malfunction or measurements corruption caused by an omniscient adversary. We model a power system under cyber-physical attack as a linear time-invariant descriptor system with unknown inputs. Our attack model generalizes the prototypical stealth, (dynamic) false-data injection and replay attacks. We characterize the fundamental limitations of both static and dynamic procedures for attack detection and identification. Additionally, we design provably-correct (dynamic) detection and identification procedures based on tools from geometric control theory. Finally, we illustrate the effectiveness of our method through a comparison with existing (static) detection algorithms, and through a numerical study.

I. INTRODUCTION

Problem setup Recent studies and real-world incidents have demonstrated the inability of the power grid to ensure a reliable service in the presence of network failures and possibly malignant actions [2], [3]. Besides failures and attacks on the *physical* power grid infrastructure, the envisioned future smart grid is also prone to *cyber* attacks on its communication layer. In short, cyber-physical security is a fundamental obstacle challenging the smart grid vision.

A classical mathematical model to describe the grid on the transmission level is the so-called *structure-preserving power network model*, which consists of the dynamic *swing equation* for the generator rotor dynamics, and of the algebraic *load-flow* equation for the power flow through the network buses [4]. In this work, we consider the linearized small signal version of the structure-preserving model, which is composed by the linearized swing equation and the DC power flow equation. The resulting linear continuous-time descriptor model [5] of a power network has also been studied for estimation and security purposes in [6]–[8].

From static to dynamic detection Existing approaches to security and stability assessment are mainly based upon static estimation techniques for the set of voltage angles and magnitudes at all system buses, e.g., see [10]. Limitations of these techniques have been often underlined, especially when the network malfunction is intentionally caused by an omniscient attacker [9], [11]. The development of security

This material is based in part upon work supported by NSF grants IIS-0904501 and CPS-1135819.

Fabio Pasqualetti, Florian Dörfler, and Francesco Bullo are with the Center for Control, Dynamical Systems and Computation, University of California at Santa Barbara, {fabiopas, dorfler, bullo}@engineering.ucsb.edu

In the interest of space, we omit a proof of the results contained in this paper, and we refer the interested reader to [1].

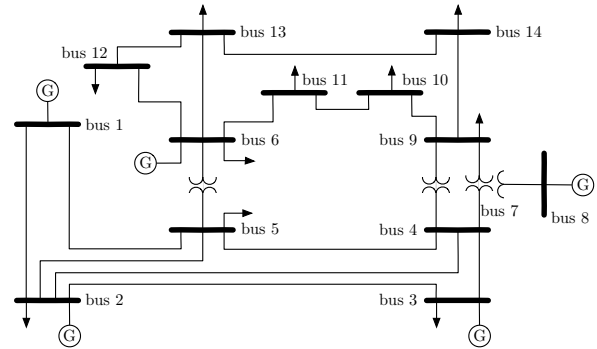


Fig. 1. For the here represented IEEE 14 bus system, if the voltage angle of one bus is measured exactly, then a cyber attack against the measurements data is always detectable by our dynamic detection procedure. In contrary, as shown in [9], a cyber attack may remain undetected by a static procedure if it compromises as few as four measurements.

procedures that exploit the dynamics of the power network is recognized [12] as an outstanding important problem. We remark that the use of static state estimation and detection algorithms has been adopted for many years for several practical and technological reasons. First, because of the low bandwidth of communication channels from the measuring units to the network control centers, continuous measurements were not available at the control centers, so that the transient behavior of the network could not be captured. Second, a sufficiently accurate dynamic model of the network was difficult to obtain or tune, making the analysis of the dynamics even harder. As of today, because of recent advances in hardware technologies, e.g., the advent of Phasor Measurement Units and large bandwidth communications, and in identification techniques for power system parameters [13], these two limitations can be overcome. Finally, the dynamic estimation and detection problem was considered much harder than the static counterpart. We address this theoretic limitation by improving upon results presented in [14], [15] for the security assessment of discrete time dynamical networks.

Literature review on dynamic detection Dynamic security has been approached via heuristics and expert systems, e.g., see [16]. Shortcomings of these methods include reliability and accuracy against unforeseen system anomalies, and the absence of analytical performance guarantees. A different approach relies on matching a discrete-time state transition map to a series of past measurements via Kalman filtering, e.g., see [17], [18] and the references therein. Typically, these transition maps are based on heuristic models fitted to a specific operating point [17]. Clearly, such a pseudo-model

poorly describes the complex power network dynamics and suffers from shortcomings similar to those of expert systems methods. In [18], the state transition map is chosen more accurately as the linearized and Euler-discretized power network dynamics. The local observability of the resulting linear discrete-time system is investigated in [18], but in the absence of unforeseen attacks. Finally, in [19] a graph-theoretic framework is proposed to evaluate the impact of cyber attacks on a smart grid and empirical results are given.

Recent approaches to dynamic security consider continuous-time power system models and apply dynamic techniques [6]–[8], [20]. While [20] adopts an overly simplified model neglecting the algebraic load flow equations, the references [6]–[8] use a more accurate network descriptor model. In [7] different failure modes are modeled as instances of a switched system and identified using techniques from hybrid control. This approach, though elegant, results in a severe combinatorial complexity in the modeling of all possible attacks. In our earlier work [8], under the assumption of generic network parameters, we state necessary and sufficient conditions for identifiability of attacks based on the network topology. Finally, in [6] dynamical filters are designed to isolate certain predefined failures of the network components. With respect to this last work, we assume no a priori knowledge of the set of compromised components and of their compromised behavior. Our results generalize and include those of [6].

Contributions The contributions of this paper are four-fold. First, we provide a unified modeling framework for dynamic power networks subject to cyber-physical attacks. For our model, we define the notions of *detectability* and *identifiability* of an attack by its effect on output measurements. Informed by the classic work on geometric control theory [21], [22], our framework includes the *deterministic static detection problem* considered in [9], [11], and the prototypical *stealth* [23], *(dynamic) false-data injection* [24], and *replay attacks* [25] as special cases. Second, we focus on the descriptor model of a power system and we show the fundamental limitations of static and dynamic detection and identification procedures. Specifically, we show that static detection procedures are unable to detect any attack affecting the dynamics, and that attacks corrupting the measurements can be easily designed to be undetectable. On the contrary, we show that undetectability in a dynamic setting is much harder to achieve for an attacker. Specifically, a cyber-physical attack is undetectable if and only if the attackers’ input signal excites uniquely the zero dynamics of the input/output system. As a complementary result, our work [8] gives necessary and sufficient graph-theoretic conditions for the absence of zero dynamics, and hence for the absence of undetectable attacks. Third, we propose a detection and identification procedure based on geometrically-designed residual filters. Under the assumption of attack identifiability, our method correctly identifies the attacker set independently of its strategy. From a system-theoretic perspective, correct identification is implied by the absence of zero dynamics in our proposed identification filters. Our design methodology is applicable to linear systems with direct input to output

feedthrough, and it generalizes the construction presented in [26]. Fourth and finally, we illustrate the potential impact of our theoretical results on the standard IEEE 14 bus system illustrated in Fig. 1. For this system it is known [9] that an attack against the measurement data may remain undetected by a static procedure if the attacker set compromises as few as four measurements. We show here instead that such an attack is always detectable by our dynamic detection procedure provided that at least one bus voltage angle or one generator rotor angle is measured exactly.

We conclude with two remarks on our contributions. First, our results – the notions of detectability and identifiability, the fundamental limitations of static versus dynamic monitoring, and the geometric design of detection and identification filters – are analogously and immediately applicable to arbitrary index-one descriptor systems, thereby including any linear system $\dot{x} = Ax + Bu$, $y = Cx + Du$, with attack signal u . Second, although we treat here the noiseless case, it is well known [27] that our deterministic detection filters are the key ingredient, together with Kalman filtering and hypothesis testing, in the design of statistical identification methods.

Organization Section II presents the descriptor system model of a power network, our framework for the modeling of cyber-physical attacks, and the detection and identification problem. Section III states the fundamental limitations of static and dynamic detection procedures. Section IV presents the residual filters for dynamic detection and identification. Section V contains the IEEE 14 bus system case study.

II. CYBER-PHYSICAL ATTACKS ON POWER NETWORKS

A. Structure-preserving power network model with cyber and physical attacks

We consider the linear small-signal version of the classical structure-preserving power network model [4]. This descriptor model consists of the *dynamic linearized swing equation* and the *algebraic DC power flow equation*. A detailed derivation from the nonlinear structure-preserving power network model can be found, for instance, in [6], [8].

Consider a connected power network consisting of n generators $\{g_1, \dots, g_n\}$, their associated n generator terminal buses $\{b_1, \dots, b_n\}$, and m load buses $\{b_{n+1}, \dots, b_{n+m}\}$. The interconnection structure of the power network is encoded by a connected admittance-weighted graph. The generators g_i and buses b_i form the vertex set of this graph, and the edges are given by the transmission lines $\{b_i, b_j\}$ weighted by the susceptance between buses b_i and b_j , as well as the internal connections $\{g_i, b_i\}$ weighted by the transient reactance between each generator g_i and its terminal bus b_i . The Laplacian matrix associated with the admittance-weighted graph is the symmetric matrix $\begin{bmatrix} \mathcal{L}_{gg} & \mathcal{L}_{gl} \\ \mathcal{L}_{lg} & \mathcal{L}_{ll} \end{bmatrix} \in \mathbb{R}^{(n+m) \times (n+m)}$, where the first n entries are associated with the generators and the last m entries correspond to the buses. The differential-algebraic model of the power network is given by the linear continuous-time descriptor system

$$E\dot{x}(t) = Ax(t) + P(t), \quad (1)$$

where the state $x = [\delta^\top \ \omega^\top \ \theta^\top]^\top \in \mathbb{R}^{2n+m}$ consists of the generator rotor angles $\delta \in \mathbb{R}^n$, the frequencies $\omega \in \mathbb{R}^n$,

and the bus voltage angles $\theta \in \mathbb{R}^m$. The input term $P(t)$ is due to *known* changes in mechanical input power to the generators or real power demand at the loads. Furthermore, the descriptor system matrices are

$$E = \begin{bmatrix} I & 0 & 0 \\ 0 & M & 0 \\ 0 & 0 & 0 \end{bmatrix}, A = - \begin{bmatrix} 0 & -I & 0 \\ \mathcal{L}_{\text{gg}} & D_{\text{g}} & \mathcal{L}_{\text{gl}} \\ \mathcal{L}_{\text{lg}} & 0 & \mathcal{L}_{\text{ll}} \end{bmatrix}, \quad (2)$$

where M and D_{g} are the diagonal matrices of the generator inertia and damping coefficients. The dynamic and algebraic equations of the linear descriptor system (1) are classically referred to as the linearized swing equation and the DC power flow equation, respectively. Notice that the initial condition of system (1) needs to obey the algebraic constraint $\mathcal{L}_{\text{lg}}\delta(0) + \mathcal{L}_{\text{ll}}\theta(0) = P_{\theta}(0)$, where $P_{\theta}(0)$ is the vector containing the entries $\{2n+1, \dots, 2n+m\}$ of $P(0)$. Finally, we assume the parameters of the power network descriptor model (1) to be known, and we remark that they can be either directly measured, or estimated through dynamic identification techniques, see for example [13].

Throughout the paper, the assumption is made that a combination of the state variables of the descriptor system (1) is being continuously measured over time. Let $C \in \mathbb{R}^{p \times n}$ be the output matrix and let $y(t) = Cx(t)$ denote the p -dimensional measurements vector. Moreover, we allow for the presence of unknown disturbances affecting the behavior of the plant (1), which, besides reflecting the genuine failure of network components, can be the effect of a cyber-physical attack against the network. We classify these disturbances into *state attacks*, if they show up in the measurements vector after being integrated through the network dynamics, and *output attacks*, if they corrupt directly the measurements vector. The network dynamics in the presence of a cyber-physical attack can then be written as¹

$$\begin{aligned} E\dot{x}(t) &= Ax(t) + \underbrace{\begin{bmatrix} F & 0 \end{bmatrix}}_B \underbrace{\begin{bmatrix} f(t) \\ \ell(t) \end{bmatrix}}_{u(t)}, \\ y(t) &= Cx(t) + \underbrace{\begin{bmatrix} 0 & L \end{bmatrix}}_D \underbrace{\begin{bmatrix} f(t) \\ \ell(t) \end{bmatrix}}_{u(t)}. \end{aligned} \quad (3)$$

The input signals $f(t)$ and $\ell(t)$ are referred to as *state* and *output attack modes*, respectively. The attack modes are assumed to be unknown and piece-wise continuous functions of time of dimension $2n+m$ and p , respectively, and they act through the full rank matrices $F \in \mathbb{R}^{(2n+m) \times (2n+m)}$ and $L \in \mathbb{R}^{p \times p}$. For notational convenience, and without affecting generality, we assume that each state and output variable can be independently compromised by an attacker. Therefore, we let F and L be the identity matrices of dimensions $2n+m$ and p . The attack mode $t \mapsto u(t) \in \mathbb{R}^{2n+m+p}$ depends upon the specific attack profile. In the presence of $k \in \mathbb{N}_0$, $k \leq 2n+m+p$, attackers indexed by the *attack set* $K \subseteq \{1, \dots, 2n+m+p\}$, all and only the entries K of $u(t)$

¹Because of the linearity of (1), the known input $P(t)$ can be neglected, since it does not affect the detectability of unknown input attacks.

are nonzero over time. To underline this sparsity relation, we will use $u_K(t)$ to denote the attack mode. Accordingly, the pair (B_K, D_K) , where B_K and D_K are the submatrices of B and D with columns in K , is called *attack signature*.

The model (3) is very general, and it can capture the occurrence of several concurrent contingencies in the power network, which are caused either by components failure or external attacks. For instance,

- (i) a change in the mechanical power input to generator i (resp. in the real power demand of load j) is described by the attack signature $(B_i, 0)$ (resp. $(B_{2n+j}, 0)$), and a non-zero attack mode $u_{n+i}(t)$ (resp. $u_{2n+j}(t)$);
- (ii) a line outage occurring on the line $\{r, s\}$ is modeled by the signature $([B_r \ B_s], [0 \ 0])$ and a non-zero mode $[u_r(t) \ u_s(t)]^T$, see [6]; and
- (iii) the failure of sensor i , or the corruption of the i -th measurement by an attacker is captured by the signature $(0, D_{2n+m+i})$ and a non-zero mode $u_{2n+m+i}(t)$.

B. Notions of detectability and identifiability for attack sets

In this section we present the problem under investigation and we recall some definitions. Observe that a cyber-physical attack may remain undetected from the measurements if there exists a normal operating condition of the network under which the output would be the same as under the perturbation due to the attacker. Let $y(x_0, u, t)$ be the output sequence generated from the initial state x_0 under the attack signal $u(t)$. Throughout the paper, let $T \subseteq \mathbb{R}_{\geq 0}$ denote the set of instants at which attack detection and identification is performed. In particular, we will later consider the cases of discrete $T = \mathbb{N}_0$ and continuous time scales $T = \mathbb{R}$.

Definition 1 (Undetectable attack set): For the linear descriptor system (3), the attack set K is *undetectable* if there exist initial conditions $x_1, x_2 \in \mathbb{R}^{2n+m}$, and an attack mode $u_K(t)$ such that, for all $t \in T$, $y(x_1, u_K, t) = y(x_2, 0, t)$.

A more general concern than detection is identifiability of attackers, i.e., the possibility to distinguish from measurements between the action of two distinct attacks.

Definition 2 (Unidentifiable attack set): For the linear descriptor system (3), the attack set K is *unidentifiable* if there exists an attack set R , with $|R| \leq |K|$ and $R \neq K$, initial conditions $x_K, x_R \in \mathbb{R}^{2n+m}$, and attack modes $u_K(t), u_R(t)$ such that, for all $t \in T$, $y(x_K, u_K, t) = y(x_R, u_R, t)$.

Of course, an undetectable attack is also unidentifiable, since it cannot be distinguished from the zero input. The converse does not hold. The security problem we consider in this paper is as follows.

Problem: (Attack detection and identification) For the linear descriptor system (3), design an attack detection and identification procedure.

Definitions 1 and 2 are immediately applicable to arbitrary control systems subjects to external attacks. Before proposing a solution to the Attack detection and identification Problem, we motivate the use of a dynamic detection and identification algorithm by characterizing the fundamental limitations of static and dynamic procedures.

III. LIMITATIONS OF STATIC AND DYNAMIC PROCEDURES FOR DETECTION AND IDENTIFICATION

The objective of this section is to show that some fundamental limitations of a static detection procedure can be overcome by exploiting the network dynamics. We start by deriving a reduced state space model for a power network, which is convenient for illustration and analysis purposes.

A. Kron-reduced representation of a power network

For the system (3), consider the partitioned matrices $F = [F_\delta^\top F_\omega^\top F_\theta^\top]^\top$ and $C = [C_\delta C_\omega C_\theta]$ reflecting the state $x = [\delta^\top \omega^\top \theta^\top]^\top$. Since the network Laplacian matrix is irreducible (due to connectivity), the descriptor system (3) is of index one [6]. The submatrix \mathcal{L}_{\parallel} in (2) is invertible and the bus voltage angles $\theta(t)$ can be expressed via the generator rotor angles $\delta(t)$ and the state attack mode $f(t)$ as

$$\theta(t) = -\mathcal{L}_{\parallel}^{-1} \mathcal{L}_{\text{lg}} \delta(t) - \mathcal{L}_{\parallel}^{-1} F_\theta f(t). \quad (4)$$

The elimination of the algebraic variables $\theta(t)$ in the descriptor system (3) leads to the state space system

$$\begin{aligned} \begin{bmatrix} \dot{\delta} \\ \dot{\omega} \end{bmatrix} &= \underbrace{\begin{bmatrix} 0 & I \\ -M^{-1}(\mathcal{L}_{\text{gg}} - \mathcal{L}_{\text{gl}}\mathcal{L}_{\parallel}^{-1}\mathcal{L}_{\text{lg}}) & -M^{-1}D_{\text{g}} \end{bmatrix}}_{\tilde{A}} \begin{bmatrix} \delta \\ \omega \end{bmatrix} \\ &+ \underbrace{\begin{bmatrix} F_\delta & 0 \\ M^{-1}F_\omega - M^{-1}\mathcal{L}_{\text{gl}}\mathcal{L}_{\parallel}^{-1}F_\theta & 0 \end{bmatrix}}_{\tilde{B}} u, \quad (5) \\ y(t) &= \underbrace{\begin{bmatrix} C_\delta - C_\theta\mathcal{L}_{\parallel}^{-1}\mathcal{L}_{\text{lg}} & C_\omega \end{bmatrix}}_{\tilde{C}} \begin{bmatrix} \delta \\ \omega \end{bmatrix} + \underbrace{\begin{bmatrix} -C_\theta\mathcal{L}_{\parallel}^{-1}F_\theta & L \end{bmatrix}}_{\tilde{D}} u. \end{aligned}$$

This reduction of the passive bus nodes is known as Kron reduction in the literature on power networks and circuit theory [28]. Hence, we refer to (5) as the *Kron-reduced system*. Accordingly, for each attack set K , the attack signature (B_K, D_K) is mapped to the corresponding signature $(\tilde{B}_K, \tilde{D}_K)$ in the Kron-reduced system through the transformation for the matrices B and D described in (5). Clearly, for any state trajectory of the Kron-reduced (5), the corresponding state trajectory of the (non-reduced) descriptor power network model (3) can be recovered by identity (4).

We point out the following subtle but important facts, which are easily visible in the Kron-reduced system (4). First, a state attack $F_\theta f(t)$ on the buses affects directly the output $y(t)$, provided that $C_\theta \mathcal{L}_{\parallel}^{-1} F_\theta f(t) \neq 0$. Second, for a connected bus network, the lower block of \tilde{A} is a fully populated Laplacian matrix, and $\mathcal{L}_{\parallel}^{-1}$ and $\mathcal{L}_{\text{gl}}\mathcal{L}_{\parallel}^{-1}$ are both positive matrices [28]. As a consequence, an attack on a single bus affects the *entire* network and not only the locally attacked node or its vicinity. Third and finally, the mapping from the input signal $u(t)$ and the initial condition $x(0)$ (subject to the constraint (4) evaluated at $t = 0$) to the output signal $y(t)$ of the descriptor system (3) coincides with the corresponding input and initial state to output map of the associated Kron-reduced system (5). Hence, the definition of detectability (resp. identifiability) of an attack set is analogous for the Kron-reduced system (5), and we can directly state the following lemma.

Lemma 3.1: (Equivalence of detectability and identifiability under Kron reduction): For the power network descriptor system (3), the attack set K is detectable (resp. identifiable) if and only if it is detectable (resp. identifiable) for the associated Kron-reduced system (5).

Following Lemma 3.1, we study detectability and identifiability of attacks against the power network descriptor model (3) by analyzing the associated Kron-reduced system (5).

B. Fundamental limitations of a Static Detector

By *Static Detector*, or, with the terminology of [10], *Bad Data Detector*, we denote an algorithm that uses the network measurements to check for the presence of attacks at some predefined instants of time, and without exploiting any relation between measurements taken at different time instants. By Definition 1, an attack is undetectable by a Static Detector if and only if, for all time instants t in a countable set T , there exists a vector $\xi(t)$ such that $y(t) = \tilde{C}\xi(t)$. Without loss of generality, we set $T = \mathbb{N}_0$. In other words, the Static Detector checks whether, at a particular time instant $t \in \mathbb{N}_0$, the measured data is consistent with the measurement equation, for example, the power flow equation at a bus. Notice that our definition of Static Detector is compatible with [9], where an attack is detected if and only if the residual $r(t) = y(t) - \tilde{C}[\hat{\delta}(t)^\top \hat{\omega}(t)^\top]^\top$ is nonzero for some $t \in \mathbb{N}_0$, where $[\hat{\delta}(t)^\top \hat{\omega}(t)^\top]^\top = \tilde{C}^\dagger y(t)$. If $r(t) \neq 0$, then the attack is detected, and it is undetected otherwise.² Given a vector v , let $\|v\|_0$ denote the number of its nonzero components.

Theorem 3.2: (Static detectability of cyber-physical attacks) For the power network descriptor system (3) and an attack set K , the following two statements are equivalent:

- (i) the attack set K is undetectable by a Static Detector;
- (ii) there exists an attack mode $u_K(t)$ such that, for some $\delta(t)$ and $\omega(t)$, at every $t \in \mathbb{N}_0$ it holds

$$\tilde{C} \begin{bmatrix} \delta(t) \\ \omega(t) \end{bmatrix} + \tilde{D} u_K(t) = 0, \quad (6)$$

where \tilde{C} and \tilde{D} are as in (5).

Moreover, there exists an attack set K , with $|K| = k \in \mathbb{N}_0$, undetectable by a Static Detector if and only if there exist $x \in \mathbb{R}^{2n}$ such that $\|Cx\|_0 = k$.

We highlight that a necessary and sufficient condition for the equation (6) to be satisfied is that $l\ell(t) \in \text{Im}(C)$ at all times $t \in \mathbb{N}_0$, where $\ell(t)$ is the vector of the last p components of $u_K(t)$. Hence, statement (ii) in Theorem 3.2 implies that *no* state attack can be detected by a static detection procedure, and that an undetectable output attack exists if and only if $\text{Im}(D_K) \cap \text{Im}(C) \neq \{0\}$.

We now focus on the static identification problem. Following Definition 2, the following result can be asserted.

Theorem 3.3: (Static identification of cyber-physical attacks) For the power network descriptor system (3) and an attack set K , the following two statements are equivalent:

- (i) the attack set K is unidentifiable by a Static Detector;

²Similar conclusion can be drawn for the case of noisy measurements.

- (ii) there exists an attack set R , with $|R| \leq |K|$ and $R \neq K$, and attack modes $u_K(t)$, $u_R(t)$, such that, for some $\delta(t)$ and $\omega(t)$, at every $t \in \mathbb{N}_0$, it holds

$$\tilde{C} \begin{bmatrix} \delta(t) \\ \omega(t) \end{bmatrix} + \tilde{D} (u_K(t) + u_R(t)) = 0,$$

where \tilde{C} and \tilde{D} are as in (5).

Moreover, there exists an attack set K , with $|K| = k \in \mathbb{N}_0$, unidentifiable by a Static Detector if and only if there exists an attack set \tilde{K} , with $|\tilde{K}| \leq 2k$, which is undetectable by a Static Detector.

Similar to the fundamental limitations of static detectability in Theorem 3.2, Theorem 3.3 implies that, for instance, state attacks cannot be identified and that an undetectable output attack exists if and only if $\text{Im}(D_{\tilde{K}}) \cap \text{Im}(C) \neq \{0\}$.

C. Fundamental limitations of a Dynamic Detector

In the following we refer to a security system having access to the *continuous* time measurements signal $y(t)$, $t \in \mathbb{R}_{\geq 0}$, as a *Dynamic Detector*. As opposed to a Static Detector, a Dynamic Detector checks for the presence of attacks at every instant of time $t \in \mathbb{R}_{\geq 0}$. By Definition 1, an attack is undetectable by a Dynamic Detector if and only if there exists a network initial state $\xi(0) \in \mathbb{R}^{2n}$ such that $y(t) = \tilde{C}e^{\tilde{A}t}\xi(0)$ for all time instants $t \in \mathbb{R}_{\geq 0}$. Intuitively, a Dynamic Detector is harder to mislead than a Static Detector.

Theorem 3.4: (Dynamic detectability of cyber-physical attacks) For the power network descriptor system (3) and an attack set K , the following two statements are equivalent:

- (i) the attack set K is undetectable by a Dynamic Detector;
- (ii) there exists an attack mode $u_K(t)$ such that, for some $\delta(0)$ and $\omega(0)$, at every $t \in \mathbb{R}_{\geq 0}$, it holds

$$\tilde{C}e^{\tilde{A}t} \begin{bmatrix} \delta(0) \\ \omega(0) \end{bmatrix} + \tilde{C} \int_0^t e^{\tilde{A}(t-\tau)} \tilde{B} u_K(\tau) d\tau = -\tilde{D} u_K(t),$$

where \tilde{A} , \tilde{B} , \tilde{C} , and \tilde{D} are as in (5),

- (iii) there exist $s \in \mathbb{C}$, $g \in \mathbb{R}^{|K|}$, and $x \in \mathbb{R}^{2n}$, with $x \neq 0$, such that $(sI - \tilde{A})x - \tilde{B}_K g = 0$ and $\tilde{C}x + \tilde{D}_K g = 0$, where \tilde{A} , \tilde{B}_K , \tilde{C} , and \tilde{D}_K are as in (5).

Moreover, there exists an attack set K , with $|K| = k \in \mathbb{N}_0$, undetectable by a Dynamic Detector if and only if there exist $s \in \mathbb{C}$ and $x \in \mathbb{R}^{2n+m}$ such that $\|(sE - A)x\|_0 + \|Cx\|_0 = k$.

Some comments are in order. First, state attacks *can be detected* in the dynamic case. Second, in order to mislead a Dynamic Detector an attacker needs to inject a signal which is consistent with the network dynamics at every instant of time. Hence, as opposed to the static case, the condition $L\ell(t) \in \text{Im}(C)$ needs to be satisfied for every $t \in \mathbb{R}_{\geq 0}$, and it is only necessary for the undetectability of an output attack. Indeed, for instance, state attacks can be detected even though they automatically satisfy the condition $0 = L\ell(t) \in \text{Im}(C)$. Third and finally, according to the last statement of Theorem 3.4, the existence of invariant zeros ³

³For the system $(\tilde{A}, \tilde{B}_K, \tilde{C}, \tilde{D}_K)$, the value $s \in \mathbb{C}$ is an invariant zero if there exists $x \in \mathbb{R}^{2n}$, with $x \neq 0$, $g \in \mathbb{R}^{|K|}$, such that $(sI - \tilde{A})x - \tilde{B}_K g = 0$ and $\tilde{C}x + \tilde{D}_K g = 0$. For a linear dynamical system, the existence of invariant zeros is equivalent to the existence of zero dynamics [22].

for the Kron-reduced system $(\tilde{A}, \tilde{B}_K, \tilde{C}, \tilde{D}_K)$ is equivalent to the existence of an undetectable attack mode $u_K(t)$. As a consequence, a dynamic detector performs better than a static detector, while requiring, possibly, fewer measurements. A related example is presented in Section V.

We now focus on the identification problem.

Theorem 3.5: (Dynamic identifiability of cyber-physical attacks) For the power network descriptor system (3), the following two statements are equivalent:

- (i) the attack set K is unidentifiable by a Dynamic Detector;
- (ii) there exists an attack set R , with $|R| \leq |K|$ and $R \neq K$, and attack modes $u_K(t)$, $u_R(t)$, such that, for some $\delta(0)$ and $\omega(0)$, at every $t \in \mathbb{R}_{\geq 0}$, it holds

$$\tilde{C}e^{\tilde{A}t} \begin{bmatrix} \delta(0) \\ \omega(0) \end{bmatrix} + \tilde{C} \int_0^t e^{\tilde{A}(t-\tau)} \tilde{B} (u_K(\tau) + u_R(\tau)) d\tau = -\tilde{D} (u_K(t) + u_R(t)),$$

where \tilde{A} , \tilde{B} , \tilde{C} , and \tilde{D} are as in (5),

Moreover, there exists an attack set K , with $|K| = k \in \mathbb{N}_0$, unidentifiable by a Dynamic Detector if and only if there exists an attack set \tilde{K} , with $|\tilde{K}| \leq 2k$, which is undetectable by a Dynamic Detector.

In other words, the existence of an unidentifiable attack set of cardinality k is equivalent to the existence of invariant zeros for the system $(\tilde{A}, \tilde{B}_{\tilde{K}}, \tilde{C}, \tilde{D}_{\tilde{K}})$, for some attack set \tilde{K} with $|\tilde{K}| \leq 2k$. A careful reader may notice that condition (ii) in Theorem 3.4 is hard to verify because of its combinatorial complexity: one needs to certify the absence of invariant zeros for all possible distinct pairs of $|K|$ -dimensional attack sets. Then, a conservative verification of condition (ii) requires $\binom{2n+m+p}{2|K|}$ tests. In [8] we partially address this complexity problem by presenting an intuitive and easy to check graph-theoretic condition for a given network topology and generic system parameters.

Remark 1: (Stealth, false-data injection, and replay attacks) The following prototypical attacks can be modeled and analyzed through our theoretical framework:

- (i) stealth attacks, as defined in [23], correspond to output attacks satisfying $D_K u_K(t) \in \text{Im}(C)$;
- (ii) (dynamic) false-data injection attacks, as defined in [24], are output attacks rendering the unstable modes (if any) of the system unobservable. These unobservable modes are included in the invariant zeros set; and
- (iii) replay attacks, as defined in [25], are state and output attacks satisfying $\text{Im}(C) \subseteq \text{Im}(D_K)$, $B_K \neq 0$. The resulting system may have an infinite number of invariant zeros: if the attacker knows the system model, then it can cast very powerful undetectable attacks.

In [25], a monitoring signal (unknown to the attacker) is injected into the system to detect replay attacks. It can be shown that, if the attacker knows the system model, and if the attack signal enters additively as in (3), then the attacker can design undetectable attacks without knowing the monitoring signal. Therefore, the fundamental limitations presented in Section III are also valid for *active* detectors, which are allowed to inject monitoring signals to reveal attacks. \square

IV. DESIGN OF DYNAMIC DETECTION AND IDENTIFICATION PROCEDURES

We now design the filters which constitute the basis of our dynamic attack detection and identification procedure.

A. Detection of attacks

We start by considering the attack detection problem, whose solvability condition is in Theorem 3.4. We propose the following residual filter to detect cyber-physical attacks.

Theorem 4.1 (Attack detection filter): Consider the power network descriptor system (3) and the associated Kron-reduced system (5). Assume that the attack set is detectable and that the network initial state $x(0)$ is known. Consider the *detection filter*

$$\begin{aligned}\dot{w}(t) &= (\tilde{A} + G\tilde{C})w(t) - Gy(t), \\ r(t) &= \tilde{C}w(t) - y(t),\end{aligned}\quad (7)$$

where $w(0) = x(0)$, and $G \in \mathbb{R}^{2n \times p}$ is such that $\tilde{A} + G\tilde{C}$ is a Hurwitz matrix. Then $r(t) = 0$ at all times $t \in \mathbb{R}_{\geq 0}$ if and only if $u(t) = 0$ at all times $t \in \mathbb{R}_{\geq 0}$.

In summary, the residual filter (7) guarantees the detection of any detectable attack set. Further comments regarding the detection filter (7) can be found at the end of this section.

B. Identification of attacks

We now focus on the attack identification problem, whose solvability condition is in Theorem 3.5. Unlike the detection case, the identification of the attack set K requires a combinatorial procedure, since, a priori, K is one of the $\binom{2n+m+p}{|K|}$ possible attack sets. As key component of our identification procedure, we propose a residual filter to determine whether a predefined set coincides with the attack set.

We next introduce in a coordinate-free geometric way the key elements of this residual filter based on the notion of condition-invariant subspaces [22]. Let K be a k -dimensional attack set, and let \tilde{B}_K, \tilde{D}_K be as defined right after the Kron reduced model (5). Let $[V_K^T \ Q_K^T]^T \in \mathbb{R}^{p \times p}$ be an orthonormal matrix such that

$$V_K = \text{Basis}(\text{Im}(\tilde{D}_K)), \text{ and } Q_K = \text{Basis}(\text{Im}(\tilde{D}_K)^\perp),$$

and let

$$B_Z = \tilde{B}_K(V_K\tilde{D}_K)^\dagger, \text{ and } \bar{B}_K = \tilde{B}_K(I - D_K D_K^\dagger). \quad (8)$$

Define the subspace $\mathcal{S}^* \subseteq \mathbb{R}^{2n}$ to be the smallest $(\tilde{A} - \tilde{B}_K(V_K\tilde{D}_K)^\dagger V_K\tilde{C}, \text{Ker}(Q_K\tilde{C}))$ -conditioned invariant subspace containing $\text{Im}(\tilde{B}_K)$, and let J_K be an output injection matrix such that

$$(\tilde{A} - \tilde{B}_K(V_K\tilde{D}_K)^\dagger V_K\tilde{C} + J_K Q_K \tilde{C})\mathcal{S}^* \subseteq \mathcal{S}^*. \quad (9)$$

Let P_K be an orthonormal projection matrix onto the quotient space $\mathbb{R}^{2n} \setminus \mathcal{S}^*$, and let

$$A_K = P_K(\tilde{A} - \tilde{B}_K(V_K\tilde{D}_K)^\dagger V_K\tilde{C} + J_K Q_K \tilde{C})P_K^T. \quad (10)$$

Finally, let H_K and the unique M_K be such that

$$\begin{aligned}\text{Ker}(H_K Q_K \tilde{C}) &= \mathcal{S}^* + \text{Ker}(Q_K \tilde{C}), \text{ and} \\ H_K Q_K \tilde{C} &= M_K P_K.\end{aligned}\quad (11)$$

Theorem 4.2 (Attack identification filter): Consider the power network descriptor system (3) and the associated Kron-reduced system (5). Assume that the attack set K is identifiable and that the network initial state $x(0)$ is known. Consider the *identification filter*

$$\begin{aligned}\dot{w}_K(t) &= (A_K + G_K M_K)w_K(t) \\ &\quad + (P_K B_Z V_K - (P_K J_K + G_K H_K)Q)y(t), \\ r_K(t) &= M_K w_K(t) - H_K Q y(t),\end{aligned}\quad (12)$$

where $w_K(0) = P_K x(0)$, and $G_K \in \mathbb{R}^{2n \times p}$ is such that $A_K + G_K M_K$ is a Hurwitz matrix. Then $r_K(t) = 0$ at all times $t \in \mathbb{R}_{\geq 0}$ if and only if K equals the attack set.

Note that the residual $r_K(t)$ is identically zero if the attack set coincides with K , even if the attack input is nonzero. For an attack set K , we refer to the signal $r_K(t)$ in the filter (12) as the residual associated with K . A corollary result of Theorem 4.2 is that, if only an upper bound on the cardinality of the attack set is known, then the residual $r_K(t)$ is nonzero if and only if the attack set is contained in K . We now summarize our identification procedure, which assumes the knowledge of the network initial condition and of an upper bound k on the cardinality of the attack set K :

- (i) design an identification filter for each possible subset of $\{1, \dots, 2n + m + p\}$ of cardinality k ;
- (ii) monitor the power network by running each identification filter;
- (iii) the attack set K coincides with the intersection of the attack sets Z whose residual $r_Z(t)$ is identically zero.

Remark 2: (Detection and identification filters for unknown initial condition) If the network initial state is not available, then an arbitrary initial state $w(0) \in \mathbb{R}^{2n}$ can be chosen. Consequently, the convergence of the filters (7) and (12) becomes asymptotic, and some attacks may remain undetected or unidentified. For instance, if the eigenvalues of the detection filter matrix have been assigned to have real part smaller than $c < 0$, with $c \in \mathbb{R}$, then, in the absence of attacks, the residual $r(t)$ exponentially converges to zero with rate less than c . Hence, only inputs $u(t)$ that vanish faster or equal than e^{-ct} can remain undetected by the filter (7). Alternatively, the detection filter can be modified so as to converge in a predefined finite time [29]. In this case, every attack signal is detectable after a finite transient. \square

Remark 3: (Detection and identification in the presence of process and measurement noise) The detection and identification filters here presented are a generalization to dynamical systems with direct input to output feedthrough of the devices presented in [26]. Additionally, our design guarantees the absence of invariant zeros in the residual system, so that every attack signal affect the corresponding residual. Finally, if the network dynamics are affected by noise, then an optimal noise rejection in the residual system can be obtained by choosing the matrix G in (7) and G_K in (12) as the Kalman gain according to the noise statistics. \square

V. A NUMERICAL STUDY

The effectiveness of our theoretic developments is here demonstrated for the IEEE 14 bus system reported in Fig.

1. Let the IEEE 14 bus power network be modeled as a descriptor model of the form (3), where the network matrix A is as in [30]. Following [9], the measurement matrix C consists of the real power injections at all buses, of the real power flows of all branches, and of one rotor angle (or one bus angle). We assume that an attacker can independently compromise every measurement, except for the one referring to the rotor angle, through an appropriate output attack.

Let $k \in \mathbb{N}_0$ be the cardinality of the attack set. From [9] it is known that, for a Static Detector, an undetectable attack exists if $k \geq 4$. In other words, due to the sparsity pattern of C , there exists a signal $u_K(t)$, with (the same) four nonzero entries at all times, such that $Du_K(t) \in \text{Im}(C)$ at all times. By Theorem 3.2 the attack set K remains undetected by a Static Detector through the attack mode $u_K(t)$. On the other hand, following Theorem 3.4, it can be verified that, for the same output matrix C , and independent of the value of k , there exists *no* undetectable (output) attack set.

VI. CONCLUSION

For a power network modeled via a linear time-invariant descriptor system, we have analyzed the fundamental limitations of static and dynamic attack detection and identification procedures. We have rigorously shown that a dynamic detection and identification method exploits the network dynamics and outperforms the static counterpart, while requiring, possibly, fewer measurements. Additionally, we have described a provably correct attack detection and identification procedure based on geometrically designed residuals filters, and we have illustrated its effectiveness through an example of cyber-physical attack against the IEEE 14 bus system. As a complementary result, in our related work [31], we develop a distributed framework for attack detection in power networks.

REFERENCES

- [1] F. Pasqualetti, F. Dörfler, and F. Bullo, "Cyber-physical attacks in power networks: Models, fundamental limitations and monitor design," Sep. 2011, available at <http://arxiv.org/pdf/1103.2795>.
- [2] A. R. Metke and R. L. Ekl, "Security technology for smart grid networks," *IEEE Transactions on Smart Grid*, vol. 1, no. 1, pp. 99–107, 2010.
- [3] M. Amin, "Guaranteeing the security of an increasingly stressed grid," *IEEE Smart Grid Newsletter*, Feb. 2011.
- [4] P. W. Sauer and M. A. Pai, *Power System Dynamics and Stability*. Prentice Hall, 1998.
- [5] P. Kunkel and V. Mehrmann, *Differential-Algebraic Equations: Analysis and Numerical Solution*. European Mathematical Society, 2006.
- [6] E. Scholtz, "Observer-based monitors and distributed wave controllers for electromechanical disturbances in power systems," Ph.D. dissertation, Massachusetts Institute of Technology, 2004.
- [7] A. Dominguez-Garcia and S. Trenn, "Detection of impulsive effects in switched DAEs with applications to power electronics reliability analysis," in *IEEE Conf. on Decision and Control*, Atlanta, GA, USA, Dec. 2010, pp. 5662–5667.
- [8] F. Pasqualetti, A. Bicchi, and F. Bullo, "A graph-theoretical characterization of power network vulnerabilities," in *American Control Conference*, San Francisco, CA, USA, Jun. 2011, pp. 3918–3923.
- [9] Y. Liu, M. K. Reiter, and P. Ning, "False data injection attacks against state estimation in electric power grids," in *ACM Conference on Computer and Communications Security*, Chicago, IL, USA, Nov. 2009, pp. 21–32.
- [10] A. Abur and A. G. Exposito, *Power System State Estimation: Theory and Implementation*. CRC Press, 2004.
- [11] A. Teixeira, S. Amin, H. Sandberg, K. H. Johansson, and S. Sastry, "Cyber security analysis of state estimators in electric power systems," in *IEEE Conf. on Decision and Control*, Atlanta, GA, USA, Dec. 2010, pp. 5991–5998.
- [12] N. Balu, T. Bertram, A. Bose, V. Brandwajn, G. Cauley, D. Curtice, A. Fouad, L. Fink, M. G. Lauby, B. F. Wollenberg, and J. N. Wrubel, "On-line power system security analysis," *Proceedings of the IEEE*, vol. 80, no. 2, pp. 262–282, 1992.
- [13] A. Chakraborty, J. H. Chow, and A. Salazar, "A measurement-based framework for dynamic equivalencing of large power systems using wide-area phasor measurements," *IEEE Transactions on Smart Grid*, vol. 2, no. 1, pp. 56–69, 2011.
- [14] F. Pasqualetti, A. Bicchi, and F. Bullo, "Consensus computation in unreliable networks: A system theoretic approach," *IEEE Transactions on Automatic Control*, vol. 56, no. 12, 2011, to appear.
- [15] S. Sundaram and C. Hadjicostis, "Distributed function calculation via linear iterative strategies in the presence of malicious agents," *IEEE Transactions on Automatic Control*, vol. 56, no. 7, pp. 1495–1508, 2011.
- [16] K. Y. Lee and M. A. El-Sharkawi, Eds., *Modern Heuristic Optimization Techniques: Theory and Applications to Power Systems*. Wiley-IEEE Press, 2008.
- [17] A. de Souza, J. de Souza, and A. da Silva, "On-line voltage stability monitoring," *IEEE Transactions on Power Systems*, vol. 15, no. 4, pp. 1300–1305, 2002.
- [18] U. A. Khan, M. D. Ilić, and J. M. F. Moura, "Cooperation for aggregating complex electric power networks to ensure system observability," in *Int. Conf. on Infrastructure Systems and Services*, Rotterdam, Netherlands, Nov. 2008, pp. 1–6.
- [19] D. Kundur, X. Feng, S. Liu, T. Zourntos, and K. L. Butler-Purry, "Towards a framework for cyber attack impact analysis of the electric smart grid," in *IEEE Int. Conf. on Smart Grid Communications*, Gaithersburg, MD, USA, Oct. 2010, pp. 244–249.
- [20] A. Teixeira, H. Sandberg, and K. H. Johansson, "Networked control systems under cyber attacks with applications to power networks," in *American Control Conference*, Baltimore, MD, USA, Jun. 2010, pp. 3690–3696.
- [21] W. M. Wonham, *Linear Multivariable Control: A Geometric Approach*, 3rd ed. Springer, 1985.
- [22] H. L. Trentelman, A. Stoorvogel, and M. Hautus, *Control Theory for Linear Systems*. Springer, 2001.
- [23] G. Dan and H. Sandberg, "Stealth attacks and protection schemes for state estimators in power systems," in *IEEE Int. Conf. on Smart Grid Communications*, Gaithersburg, MD, USA, Oct. 2010, pp. 214–219.
- [24] Y. Mo and B. Sinopoli, "False data injection attacks in control systems," in *First Workshop on Secure Control Systems*, Stockholm, Sweden, Apr. 2010.
- [25] —, "Secure control against replay attacks," in *Allerton Conf. on Communications, Control and Computing*, Monticello, IL, USA, Sep. 2010, pp. 911–918.
- [26] M.-A. Massoumnia, G. C. Verghese, and A. S. Willsky, "Failure detection and identification," *IEEE Transactions on Automatic Control*, vol. 34, no. 3, pp. 316–321, 1989.
- [27] M. Basseville and I. V. Nikiforov, *Detection of Abrupt Changes: Theory and Application*. Prentice Hall, 1993.
- [28] F. Dörfler and F. Bullo, "Kron reduction of graphs with applications to electrical networks," *SIAM Review*, Feb. 2011, submitted.
- [29] A. V. Medvedev and H. T. Toivonen, "Feedforward time-delay structures in state estimation-finite memory smoothing and continuous deadbeat observers," *IEE Proceedings. Control Theory & Applications*, vol. 141, no. 2, pp. 121–129, 1994.
- [30] R. D. Zimmerman, C. E. Murillo-Sánchez, and D. Gan, "MAT-POWER: Steady-state operations, planning, and analysis tools for power systems research and education," *IEEE Transactions on Power Systems*, vol. 26, no. 1, pp. 12–19, 2011.
- [31] F. Dörfler, F. Pasqualetti, and F. Bullo, "Distributed detection of cyber-physical attacks in power networks: A waveform relaxation approach," in *Allerton Conf. on Communications, Control and Computing*, Sep. 2011, to appear.