

Title:

7 μm , ultrafast, sub-millijoule-level mid-infrared optical parametric chirped pulse amplifier pumped at 2 μm

Authors:

D. SANCHEZ, M. HEMMER, M. BAUDISCH, S. L. COUSIN, K. ZAWILSKI, P. SCHUNEMANN, O. CHALUS, C. SIMON-BOISSON, AND J. BIEGERT

Final manuscript

The original publication may be found at:

Journal: Optica, Vol. 3, Issue 2, pp. 147-150 (2016)

DOI: <http://dx.doi.org/10.1364/OPTICA.3.000147>

7-micron, ultrafast, sub-mJ-level mid-IR OPCPA pumped at 2 micron

D. SANCHEZ^{1,*}, M. HEMMER^{1,#}, M. BAUDISCH¹, S. L. COUSIN¹, K. ZAWILSKI², P. SCHUNEMANN², O. CHALUS³, C. SIMON-BOISSON³ AND J. BIEGERT^{1,4}

¹ICFO-Institut de Ciències Fotoniques, The Barcelona Institute of Science and Technology, 08860 Castelldefels (Barcelona), Spain

²BAE Systems, MER15-1813, P.O. Box 868, Nashua, New Hampshire 03061, USA

³THALES Optronique S.A.S., Laser Solutions Unit, 2 avenue Gay-Lussac, 78995 Elancourt Cedex, France

⁴Institució Catalana de Recerca i Estudis Avançats (ICREA), Passeig Lluís Companys 23, Barcelona 08010, Spain

#present address: Center for Free-Electron Laser Science, Deutsches Elektronen Synchrotron (DESY), Hamburg, Germany

*Corresponding author: daniel.sanchez@icfo.eu

Received XX Month XXXX; revised XX Month, XXXX; accepted XX Month XXXX; posted XX Month XXXX (Doc. ID XXXXX); published XX Month XXXX

We present a novel all-fiber pumped OPCPA architecture to generate self-CEP stable, sub-8 optical cycle duration pulses at 7-micron wavelength approaching millijoule-level pulse energy at 100 Hz repetition rate. The system yields a peak power of 1.1 GW and, if focused to the diffraction limit, would reach a peak intensity of 7×10^{14} W/cm². The OPCPA is pumped by a 2-micron Ho:YLF chirped pulse amplifier to leverage the highly efficient and broadband response of the nonlinear crystal ZGP. The 7-micron seed at 100 MHz is generated via DFG from an Er:Tm:Ho multi-arm fiber frequency comb and a fraction of its output optically injects the Ho:YLF amplifier. While the pulse bandwidth at 7 micron is perfectly suited for nonlinear and spectroscopic applications, current parameters offer, for the first time, the possibility to explore strong field physics in an entirely new wavelength range with a ponderomotive force 77 times larger than from an 800 nm source. The overall OPCPA system is very compact and provides a new tool for investigations directly in the molecular fingerprint region of the electro-magnetic spectrum or to drive high harmonic generation to produce fully coherent X-rays in the multi-keV range and possibly zeptosecond temporal waveforms.

© 2015 Optical Society of America

OCIS codes: (140.3070) Infrared and far infrared lasers; (190.4970) Parametric oscillators and amplifiers; (320.7090) Ultrafast lasers;

<http://dx.doi.org/10.1364/optica.99.099999>

The development of coherent light sources with emission in the mid-IR is currently undergoing a remarkable revolution. The mid-IR spectral range has always been of tremendous interest, mainly to

spectroscopists, due to the ability of mid-IR light to access rotational and vibrational resonances of molecules which give rise to superb sensitivity upon optical probing [1-3]. Previously, high energy resolution was achieved with narrowband lasers or parametric sources, but the advent of frequency comb sources has revolutionized spectroscopy by providing high energy resolution within the frequency comb structure of the spectrum and at the same time broadband coverage and short pulse duration [4-6]. Such carrier to envelope phase (CEP) controlled light waveforms, when achieved at ultrahigh intensity, give rise to extreme effects such as the generation of isolated attosecond pulses in the vacuum to extreme ultraviolet range (XUV) [7]. Motivated largely by the vast potential of attosecond science, the development of ultraintense few-cycle and CEP stable sources has intensified [8], and it was recognized that coherent soft X-ray radiation could be generated when driving high harmonic generation (HHG) with long wavelength sources [9-11]. Recently, based on this concept, the highest waveform controlled soft X-ray flux [12] and isolated attosecond pulse emission at 300 eV [13] was demonstrated via HHG from a 1850 nm, sub-2-cycle source [14]. Within strong field physics, long wavelength scaling may lead to further interesting physics such as the direct reshaping of the carrier field [15], scaling of quantum path dynamics [16], the breakdown of the dipole approximation [17] or direct laser acceleration [18]. The experimental development of long wavelength light sources therefore holds great promise in many fields of science and will lead to numerous applications beyond strong field physics and attosecond science.

Here, we present the first mid-IR optical parametric chirped pulse amplifier (OPCPA) operating at a center wavelength of 7 μ m with output parameters suitable already for strong-field experiments. It is also the first demonstration of OPCPA using a 2 μ m laser pump source which enables the use of non-oxide nonlinear crystals with typically limited transparency at 1 μ m wavelength. This new OPCPA system is all-optically synchronized and generates 0.55 mJ energy, CEP stable optical pulses. The pulses support a sub-4 cycle pulse duration and are currently compressed to sub-8 optical cycles due to uncompensated

higher order phase from the grating compressor which will be addressed in the future.

A schematic representation of the OPCPA is shown in Fig. 1 and follows the previously proven concept of our 3 μm OPCPA system [19]. The front-end of the system, which seeds both the pump and optical parametric amplifier (OPA) stages, is a multicolor all-fibre laser (Menlo Systems GmbH) [20]. The seeder is based on a mode-locked Er:fibre oscillator and power amplifier which deliver 1.55- μm wavelength, nanojoule-level pulses at a repetition rate of 100 MHz. The output is split into two arms, the first of which is compressed in fibre to 72 fs with 3 nJ pulse energy. The second output is coupled into a highly nonlinear fibre where the spectrum is broadened to an optical octave via super-continuum generation. The portion of the broadened spectrum around 2 μm is subsequently split into two arms. The first is used to seed a chain of broad-band Tm:Ho fibre amplifiers and delivers 3 nJ energy pulses centered at 2040 nm, which we compress in free-space to 130 fs. The second arm is spectrally narrowed to 1.5 nm before seeding a chain of Tm:Ho fibre amplifiers. At the output we obtain 4 nJ, few picosecond pulses.

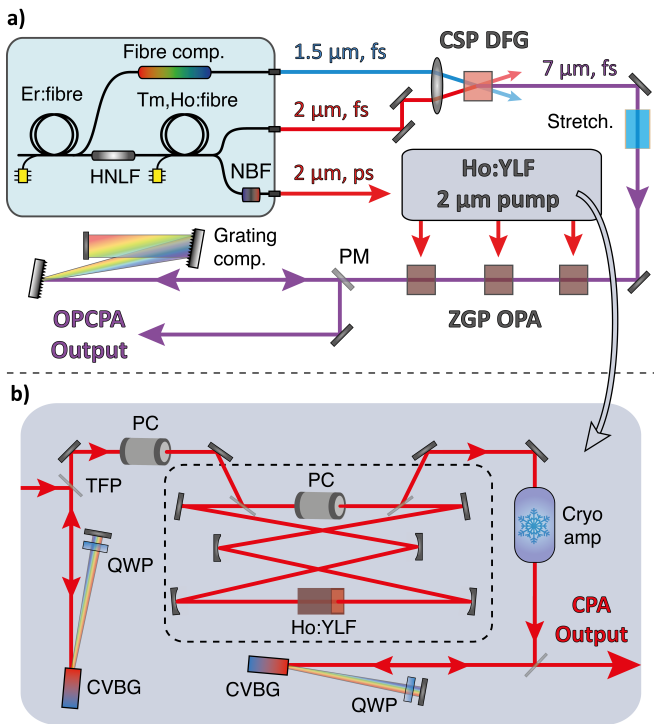


Fig. 1. a) Layout of the OPCPA concept featuring an all-fibre seeder, a DFG stage, a 2 μm Ho:YLF pump laser, a chain of three consecutive ZGP OPAs and a reflective grating-based compressor; HNLF, highly nonlinear fibre; NBF, narrow-bandwidth filter; Stretch, stretcher; PM, pick-off mirror; Comp., compressor. b) Layout of the Ho:YLF CPA featuring a CVBG stretcher, a pulse picker, a ring regenerative amplifier, a single-pass cryogenically cooled booster amplifier and a CVBG compressor; QWP, quarter-wave plate; CVBG; chirped volume Bragg grating; PC, Pockels cell; TFP, thin-film polarizer.

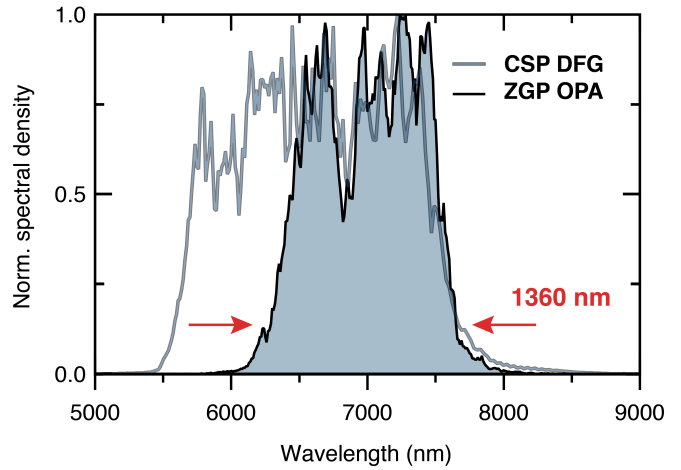


Fig. 2. Spectrum of the mid-IR pulses amplified in the ZGP OPAs (black line, shaded) measured using a scanning monochromator and seed spectrum from the CSP DFG stage (grey line) measured with a Fourier transform infrared spectrometer. The spectral width of the OPCPA output at the 13.5% point is 1360 nm – corresponding to 85 fs transform limit.

The mid-IR seed for the OPA chain is generated through difference frequency generation (DFG) of the femtosecond outputs of the fibre laser. Seed generation using DFG was demonstrated to generate large bandwidths in the mid-IR [21] and furthermore, if the input pulses for the DFG originate from a common oscillator, the output will be intrinsically CEP stable [22,23]. Passive CEP stabilization has proven to be robust and reduces the overall complexity of the laser system [24]. We chose the nonlinear crystal CdSiP₂ (CSP) as the generation medium due to its unique combination of high effective nonlinear coefficient ($d_{\text{eff}} \sim 84.5 \text{ pm/V}$), broad phase-matching characteristics in the mid-IR and wide transmission window [25]. Using an AR coated 1.5 mm thick CSP crystal (BAE Systems), the DFG stage produces CEP stable optical pulses with up to 150 pJ of energy at 100 MHz [26]. The generated spectrum, which is shown as the grey line in Fig. 2, is centred around 6.5 μm and spans the range between 5.5 and 8 μm .

The pump laser is a central component of an OPCPA as it largely determines the performance of the overall system. Currently, the majority of high-intensity mid-IR sources rely on parametric amplifiers pumped by laser systems operating at 1 μm [19,27,28]. However, extending the operating wavelength of OPCPA to longer wavelengths has so far been hindered by an increasingly unfavourable pump-to-idler photon ratio as well as a scarcity of nonlinear crystals with suitable optical and mechanical properties or transparency [29]. Scaling the pump laser to longer wavelengths circumvents these obstacles and has recently been achieved with pump laser systems based on Ho-doped gain media delivering high energy, femtosecond [30] and picosecond [31,32] pulses around 2 μm , suitable for pumping OPAs.

The pump laser of the OPCPA described in this work relies on chirped pulse amplification (CPA) using Ho:YLF as gain medium [31]. The CPA line is seeded with the narrow-band, 2 μm pulses from the fibre front-end. The few picosecond 2 μm pulses are temporally stretched using a chirped volume Bragg grating (CVBG; OptiGrate Corp.) to a measured duration of 170 ps, suitable for seeding the high gain amplifiers without risk of optical damage. Upon stretching, the pulses are picked at 100 Hz repetition rate and directed towards a Ho:YLF ring regenerative amplifier (RA). Injection and ejection from the cavity is achieved using a rubidium titanyle phosphate (RTP) Pockels cell operated at half-wave voltage. The nJ seed pulses are amplified to 4 mJ

in the RA and then sent to a single pass, cryogenically cooled Ho:YLF [33] amplifier. Both the RA and single pass amplifier are pumped by a CW Tm:fibre laser operating at a wavelength of 1940 nm. At the output of the CPA we measure 40 mJ energy with power fluctuations of less than 0.8% rms and peak-to-peak fluctuations of less than 3% over half a million of shots. The compressor is based on a CVBG (OptiGrate Corp.), with an 25x27 mm² aperture. The compressor has an overall efficiency of 85% and is used to temporally compress the output to a measured duration of 11 ps.

The temporal seed stretch factor, which determines the pump to seed pulse duration ratio, is an important design aspect of an OPCPA since it has a large impact on efficiency, amplifiable bandwidth and superfluorescence generation. There is a trade-off, since in general one-to-one matching of the pump and seed pulse durations leads to a greater efficiency, while a shorter seed pulse leads to broader amplification bandwidths. We used a nonlinear wave propagation code [34] to numerically simulate the DFG and OPA processes in order to choose the stretch factor for the seed. Our simulations suggest that a seed pulse duration of 6 ps together with an 11 ps pump pulse permits amplifying sufficient bandwidth to support a sub-100 fs pulse; note that one optical cycle at 7 μm equals 23 fs. We chose bulk BaF₂ for stretching due its low Fresnel losses and high GVD in the mid-IR (700 fs²/mm at 6.5 μm). According to our calculations, the mid-IR seed is stretched to 6 ps after propagating through 12 cm of BaF₂.

The stretched, picjoule-level seed pulses are amplified in a chain of three consecutive non-collinear OPA stages. Due to the large bandwidths and high intensities involved, the nonlinear crystal for the amplifiers needs to be chosen carefully. The use of a 2 μm pump laser allows us to use the highly non-linear crystal ZnGeP₂ (ZGP) ($d_{\text{eff}} \sim 75$ pm/V), which for transparency reasons cannot be pumped at a wavelength shorter than 2 μm [29]. The first parametric amplification stages consists of a 5 mm AR coated ZGP crystal (BAE Systems). Using approximately 200 μJ of pump energy, focused to an intensity of 20 GW/cm², and seeding with 100 pJ, the first amplifier exhibits a gain of $\sim 10^4$, yielding 2 μJ of energy in the mid-IR. An identical 5 mm ZGP crystal is used in the second amplification stage, which is pumped with 4 mJ of energy and produces 100 μJ pulses. Finally, the output of the second OPA stage is collimated and loosely focused into the third OPA, which consists of a 3 mm ZGP crystal and is pumped with 8 mJ of energy. This last amplification stage boosts the mid-IR energy to 0.55 mJ. By blocking the seed of the OPA chain we were able to establish an upper limit of superfluorescence contributing to parametric background of maximally 5%.

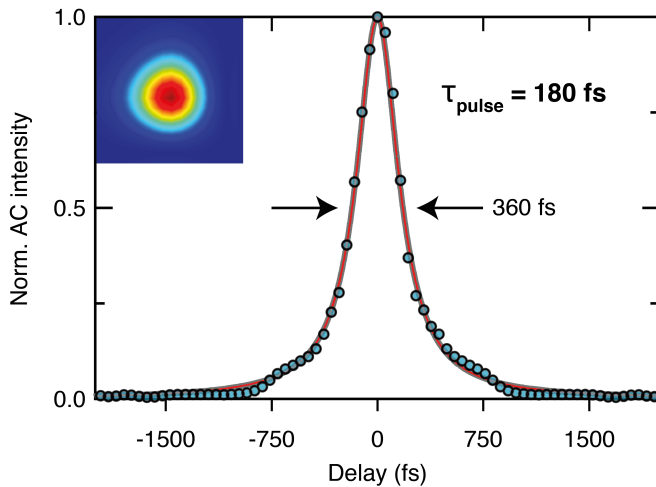


Fig. 3. Autocorrelation trace from a background free intensity autocorrelation. Shown is the compressed pulses (blue circle) with the best fitted pulse shape which is a Lorentzian profile (solid red line). The deconvolution results in a pulse duration of 180 fs. Measured spatial profile (inset) of the compressed pulse at the output of the OPCPA.

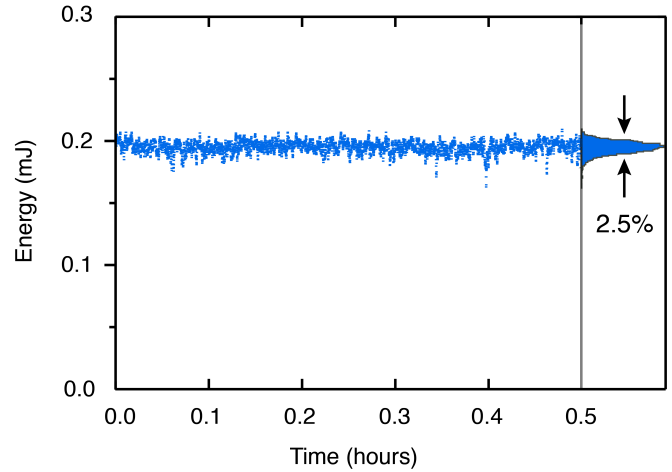


Fig. 4. The graph shows the OPCPA output pulse energy measured single shot and over a period of 30 minutes. We find an excellent stability corresponding to 2.5% rms.

The amplified spectrum at the output of the OPCPA is shown in Fig. 2 and was measured using a scanning monochromator equipped with a liquid N₂ cooled mercury cadmium telluride (MCT) detector. The spectrum is centred at 7 μm with a bandwidth of 1360 nm at 1/e² which supports a 85 fs pulse duration (sub-4 cycles). Considering that the amplification is ultrabroadband, the measured energy conversion efficiency of 18% into signal plus idler in the last OPA stage is excellent. After amplification, for a first test of compressibility, the mid-IR pulses are directed towards a Martinez-style compressor consisting of a reflective Al-coated diffraction grating with 150 l/mm and an uncoated CaF₂ lens. The total energy throughput of the compressor is 35% which yields a compressed energy of 200 μJ . We expect to significantly enhance the low energy throughput with custom made and coated compressor components which should result in throughput efficiencies of 60 to 80%.

Upon compression, the temporal profile of the optical pulses was characterized using background free intensity autocorrelation based on a ZGP crystal and all reflective optics. Figure 3 shows the measured trace, which exhibits an autocorrelation width of 360 fs. In order to evaluate the pulse duration, we fit various line shapes (sech², Gaussian and Lorentzian) to the measured autocorrelation trace for its deconvolution. We find that the autocorrelation traces are best fitted with a Lorentzian temporal profile, which is sensible considering that pulse propagation suffers from residual absorption of small water content in the purged box which would give rise to modification of the sech² autocorrelation profile in favor of a Lorentzian shape. Under this assumption, the AC trace corresponds to a pulse duration of 180 fs, which is shorter than 8 optical cycles. As comparison, the measured pulse duration would correspond to the same number of optical cycles as a 20-fs-duration pulse at the Ti:Sapphire wavelength of 800 nm.

In order to leverage the full potential of the source to generate few-cycle pulses, advanced pulse diagnostics capabilities are warranted that can measure the pulse amplitude and phase at 7 micron rapidly. A straightforward implementation of methods such as FROG or SPIDER is however stymied by the absence of mid-IR array detectors with sufficient spatial or spectral resolution thus resulting in unrealistically

long scan times or insufficient resolution. We believe that methods such as electro optical sampling will be ideally suited for direct and relatively fast waveform measurements in the mid-IR [35]. Further reduction in pulse duration should be straightforward to implement based on methods using spectral broadening and subsequent compression [36,37] or direct pulse compression in the mid-IR [38]. Lastly, we monitored the stability of the compressed output with a pyroelectric detector and we measured an excellent system stability with energy fluctuations of less than 2.5% rms over 30 minutes (Fig. 4).

In conclusion, we have demonstrated the first ultrafast mid-IR OPCPA directly operating at a centre wavelength of 7 μm with a new OPCPA architecture leveraging non-oxide crystals which are directly pumped at 2 μm . The entire system is fiber pumped and based on a multi-arm fiber front-end with different emission wavelengths which provides the optical seed and optical synchronization without any electronics. The OPCPA seed is derived via DFG from two of those fiber outputs which leads to a passively CEP-stable mid-IR frequency comb output at 100 MHz repetition rate. The pump laser is directly seeded by the same fiber frontend and consists of a Ho:YLF regenerative amplifier followed by a cryogenically cooled Ho:YLF single pass amplifier. The 200 μJ output at 180 fs leads to a peak power of 1.1 GW and, if focused to the diffraction limit, to a peak intensity of $7 \times 10^{14} \text{ W/cm}^2$ which is sufficient for strong field experiments. Simulations indicate that the OPCPA architecture should be scalable to pump energies close to the joule level and to pulse energies in the tens of millijoule range at 7 micron. Further ongoing steps include increasing pulse energy through scaling of the Ho:YLF amplifier, careful tailoring of pump and seed pulse durations and chirp of the OPCPA stages, and further reduction of the pulse duration at 7 micron. We believe that the demonstrated pump and OPCPA architectures are attractive due to the compactness of the overall system and the fact that it is entirely fiber laser pumped which reduces operating costs drastically. Moreover, the system's operating characteristics now enable access to the full mid-IR spectral range to ultrafast, nonlinear and strong field physics.

Funding. We acknowledge financial support from the Spanish Ministry of Economy and Competitiveness, through FIS2014-56774-R, FIS2014-51478-ERC, the "Severo Ochoa" Programme for Centres of Excellence in R&D (SEV-2015-0522), the Catalan Agencia de Gestió d'Ajuts Universitaris i de Recerca (AGAUR) with SGR 2014-2016, Fundació Cellex Barcelona, the European Union's Horizon 2020 research and innovation programme under grant agreement No 654148 Laserlab-Europe, the Marie Skłodowska-Curie grant agreements No. 641272 and 264666, and the German BMBF for funding under the Eurostars project MIRANDUS (E! 6698)

REFERENCES

- Woutersen, U. Emmerichs, and H. J. Bakker, *Science* **278**, 658 (1997).
- F. K. Tittel, D. Richter, and A. Fried, *Top. Appl. Phys.* **89**, 458 (2003).
- B. Jean and T. Bende, *Top. Appl. Phys.* **89**, 530 (2003).
- J. Reichert, R. Holzwarth, T. Udem, and T. W. Hänsch, *Opt. Commun.* **172**, 59 (1999).
- S. A. Diddams, *J. Opt. Soc. Am. B* **27**, B51 (2010).
- A. Schliesser, N. Picqué, and T. W. Hänsch, *Nat. Photonics* **6**, 440 (2012).
- M. Hentschel, R. Kienberger, Ch. Spielmann, G. A. Reider, N. Milosevic, T. Brabec, P. Corkum, U. Heinzmann, M. Drescher, and F. Krausz, *Nature* **414**, 509 (2001).
- J. Biegert, Philip K. Bates, O. Chalus, *IEEE J. Sel. Top. Quant. Electron. Ultrafast Sci. Technol.*, invited review paper, **18**, 531 (2012).
- J. Tate, T. Auguste, H. G. Muller, P. Salières, P. Agostini, and L. F. DiMauro, *Phys. Rev. Lett.* **98**, 013901 (2007).
- T. Popmintchev, M. Chen, O. Cohen, M. Grisham, J. Rocca, M. Murnane, and H. Kapteyn, *Opt. Lett.* **33**, 2128 (2008).
- M. V. Frolov, N. L. Manakov, and A. F. Starace, *Phys. Rev. Lett.* **100**, 173001 (2008).
- S. L. Cousin, F. Silva, S. Teichmann, M. Hemmer, B. Buares, and J. Biegert, *Opt. Lett.* **39**, 5383 (2014).
- F. Silva, S. Teichmann, S. L. Cousin, M. Hemmer, and J. Biegert, *Nat. Commun.* **6**, 6611 (2015).
- F. Silva, P. K. Bates, A. Esteban-Martin, M. Ebrahim-Zadeh, and J. Biegert, *Opt. Lett.* **37**, 933 (2012).
- P. Whalen, P. Panagiotopoulos, M. Kolesik, and J. V. Moloney, *Phys. Rev. A* **89**, 023850 (2014).
- T. Auguste, P. Salières, A. S. Wyatt, A. Monmayrant, I. A. Walmsley, E. Cormier, A. Zair, M. Holler, A. Guandalini, F. Schapper, J. Biegert, L. Gallmann, and U. Keller, *Phys. Rev. A* **80**, 033817 (2009).
- H. R. Reiss, *Phys. Rev. Lett.* **101**, 043002 (2008).
- I. Jovanovic, G. Xy, and S. Wandel, *Phys. Proc.* **52**, 68 (2014).
- O. Chalus, P. K. Bates, M. Smolarski, and J. Biegert, *Opt. Exp.* **17**, 3587 (2009).
- H. Hoogland, A. Thai, D. Sanchez, S. L. Cousin, M. Hemmer, M. Engelbrecht, J. Biegert, and R. Holzwarth, *Opt. Express* **21**, 31390 (2013).
- C. Emy, K. Moutzouris, J. Biegert, D. Kühlke, F. Adler, A. Leitenstorfer, and U. Keller, *Opt. Lett.* **32**, 1138 (2007).
- A. Baltuska, T. Fuji, and T. Kobayashi, *Phys. Rev. Lett.* **88**, 133901 (2002).
- T. Fuji, A. Apolonski, and F. Krausz, *Opt. Lett.* **29**, 632 (2004).
- A. Thai, M. Hemmer, P. K. Bates, O. Chalus, and J. Biegert, *Opt. Lett.* **36**, 3918 (2011).
- K. T. Zawilski, P. G. Schunemann, T. C. Pollak, D. E. Zelmon, N. C. Ferneliuss, and F. K. Hopkins, *J. Cryst. Growth* **312**, 1127 (2010).
- D. Sánchez, M. Hemmer, M. Baudisch, K. Zawilski, P. Schunemann, H. Hoogland, R. Holzwarth, and J. Biegert, *Opt. Lett.* **39**, 6883 (2014).
- B. W. Mayer, C. R. Phillips, L. Gallmann, and U. Keller, *Opt. Express* **22**, 20798 (2014).
- G. Andriukaitis, T. Balciunas, S. Alisauskas, A. Pugzlys, A. Baltuska, T. Popmintchev, M. Chen, M. Murnane, and H. Kapteyn, *Opt. Lett.* **36**, 2755 (2011).
- V. Petrov, *Opt. Materials* **34**, 536 (2012).
- P. Malevich, G. Andriukaitis, T. Flöry, A. J. Verhoef, A. Fernández, S. Ališauskas, A. Pugžlys, A. Baltuška, L. H. Tan, C. F. Chua, and P. B. Phua, *Opt. Lett.* **38**, 2746 (2013).
- M. Hemmer, D. Sánchez, M. Jelínek, V. Smirnov, H. Jelinkova, V. Kubeček, and J. Biegert, *Opt. Lett.* **40**, 451 (2015).
- L. von Grafenstein, M. Bock, U. Griebner, and T. Elsaesser, *Opt. Express* **23**, 14744 (2015).
- H. Fonnum, E. Lippert, and M. W. Haakestad, *Opt. Lett.* **38**, 1884 (2013).
- G. Arisholm, *J. Opt. Soc. Am. B* **14**, 2543 (1997).
- I. Pupeza, D. Sánchez, J. Zhang, N. Lilienfein, M. Seidel, N. Karpowicz, T. Paasch-Colberg, I. Znakovskaya, M. Pescher, W. Schweinberger, V. Pervak, E. Fill, O. Pronin, Z. Wei, F. Krausz, A. Apolonski and J. Biegert, *Nat. Photonics* **9**, 721 (2015).
- M. Nisoli, S. De Silvestri, and O. Svelto, *Appl. Phys. Lett.* **68**, 2793 (1996).
- T. Balciunas, C. Fourcade-Dutin, G. Fan, T. Witting, A. A. Voronin, A. M. Zheltikov, F. Jerome, G. G. Paulus, A. Baltuska, and F. Benabid, *Nat. Commun.* **6**, 6117 (2015).
- M. Hemmer, M. Baudisch, A. Thai, A. Couairon, and J. Biegert, *Opt. Express* **21**, 28095 (2013).

REFERENCES

1. Woutersen, U. Emmerichs, and H. J. Bakker, "Femtosecond Mid-IR Pump-Probe Spectroscopy of Liquid Water: Evidence for a Two-Component Structure," *Science* 278, 658 (1997).
2. F. K. Tittel, D. Richter, and A. Fried, "Mid-Infrared laser applications in spectroscopy," *Top. Appl. Phys.* 89, 458 (2003).
3. B. Jean and T. Bende, "Mid-IR laser applications in medicine," *Top. Appl. Phys.* 89, 530 (2003).
4. J. Reichert, R. Holzwarth, T. Udem, and T. W. Hänsch, "Measuring the frequency of light with mode-locked lasers," *Opt. Commun.* 172, 59 (1999).
5. S. A. Diddams, "The evolving frequency comb," *J. Opt. Soc. Am. B* 27, B51 (2010).
6. A. Schliesser, N. Picqué, and T. W. Hänsch, "Mid-infrared frequency combs," *Nat. Photonics* 6, 440 (2012).
7. M. Hentschel, R. Kienberger, Ch. Spielmann, G. A. Reider, N. Milosevic, T. Brabec, P. Corkum, U. Heinzmann, M. Drescher, and F. Krausz, "Attosecond metrology," *Nature* 414, 509 (2001).
8. J. Biegert, Philip K. Bates, O. Chalus, "The Generation and Characterisation of Ultrashort Mid-Infrared Pulses," *IEEE J. Sel. Top. Quant. Electron. Ultrafast Sci. Technol.*, invited review paper, 18, 531 (2012).
9. J. Tate, T. Augustine, H. G. Muller, P. Salières, P. Agostini, and L. F. DiMauro, "Scaling of Wave-Packet Dynamics in an Intense Midinfrared Field," *Phys. Rev. Lett.* 98, 013901 (2007).
10. T. Popmintchev, M. Chen, O. Cohen, M. Grisham, J. Rocca, M. Murnane, and H. Kapteyn, "Extended phase matching of high harmonics driven by mid-infrared light," *Opt. Lett.* 33, 2128 (2008).
11. M. V. Frolov, N. L. Manakov, and A. F. Starace, "Wavelength Scaling of High-Harmonic Yield: Threshold Phenomena and Bound State Symmetry Dependence," *Phys. Rev. Lett.* 100, 173001 (2008).
12. S. L. Cousin, F. Silva, S. Teichmann, M. Hemmer, B. Buades, and J. Biegert, "High-flux table-top soft x-ray source driven by sub-2-cycle, CEP stable, 1.85- μm 1-kHz pulses for carbon K-edge spectroscopy," *Opt. Lett.* 39, 5383 (2014).
13. F. Silva, S. Teichmann, S. L. Cousin, M. Hemmer, and J. Biegert, "Spatiotemporal isolation of attosecond soft X-ray pulses in the water window," *Nat. Commun.* 6, 6611 (2015).
14. F. Silva, P. K. Bates, A. Esteban-Martin, M. Ebrahim-Zadeh, and J. Biegert, "High-average-power, carrier-envelope phase-stable, few-cycle pulses at 2.1 μm from a collinear BiB3O6 optical parametric amplifier," *Opt. Lett.* 37, 933 (2012).
15. P. Whalen, P. Panagiotopoulos, M. Kolesik, and J. V. Moloney, "Extreme carrier shocking of intense long-wavelength pulses," *Phys. Rev. A* 89, 023850 (2014).
16. T. Augustine, P. Salières, A. S. Wyatt, A. Monmayrant, I. A. Walmsley, E. Cormier, A. Zair, M. Holler, A. Guandalini, F. Schapper, J. Biegert, L. Gallmann, and U. Keller, "Theoretical and experimental analysis of quantum path interferences in high-order harmonic generation," *Phys. Rev. A* 80, 033817 (2009).
17. H. R. Reiss, "Limits on Tunneling Theories of Strong-Field Ionization," *Phys. Rev. Lett.* 101, 043002 (2008).
18. I. Jovanovic, G. Xy, and S. Wandel, "Mid-Infrared Laser System Development for Dielectric Laser Accelerators," *Phys. Proc.* 52, 68 (2014).
19. O. Chalus, P. K. Bates, M. Smolarski, and J. Biegert, "Mid-IR short-pulse OPCPA with micro-Joule energy at 100 kHz," *Opt. Exp.* 17, 3587 (2009).
20. H. Hoogland, A. Thai, D. Sanchez, S. L. Cousin, M. Hemmer, M. Engelbrecht, J. Biegert, and R. Holzwarth, "All-PM coherent 2.05 μm Thulium/Holmium fiber frequency comb source at 100 MHz with up to 0.5 W average power and pulse duration down to 135 fs," *Opt. Express* 21, 31390 (2013).
21. C. Erny, K. Moutzouris, J. Biegert, D. Kühlke, F. Adler, A. Leitenstorfer, and U. Keller, "Mid-infrared difference-frequency generation of ultrashort pulses tunable between 3.2 and 4.8 μm from a compact fiber source," *Opt. Lett.* 32, 1138 (2007).
22. A. Baltuska, T. Fuji, and T. Kobayashi, "Controlling the Carrier-Envelope Phase of Ultrashort Light Pulses with Optical Parametric Amplifiers," *Phys. Rev. Lett.* 88, 133901 (2002).
23. T. Fuji, A. Apolonski, and F. Krausz, "Self-stabilization of carrier-envelope offset phase by use of difference-frequency generation," *Opt. Lett.* 29, 632 (2004).
24. A. Thai, M. Hemmer, P. K. Bates, O. Chalus, and J. Biegert, "Sub-250-mrad, passively carrier-envelope-phase-stable mid-infrared OPCPA source at high repetition rate," *Opt. Lett.* 36, 3918 (2011).
25. K. T. Zawilski, P. G. Schunemann, T. C. Pollak, D. E. Zelmon, N. C. Fernielus, and F. K. Hopkins, "Growth and characterization of large CdSiP2 single crystals," *J. Cryst. Growth* 312, 1127 (2010).
26. D. Sánchez, M. Hemmer, M. Baudisch, K. Zawilski, P. Schunemann, H. Hoogland, R. Holzwarth, and J. Biegert, "Broadband mid-IR frequency comb with CdSiP2 and AgGaS2 from an Er,Tm:Ho fiber laser," *Opt. Lett.* 39, 6883 (2014).
27. B. W. Mayer, C. R. Phillips, L. Gallmann, and U. Keller, "Mid-infrared pulse generation via achromatic quasi-phase-matched OPCPA," *Opt. Express* 22, 20798 (2014).
28. G. Andriukaitis, T. Balciunas, S. Alisauskas, A. Pugzlys, A. Baltuska, T. Popmintchev, M. Chen, M. Murnane, and H. Kapteyn, "90 GW peak power few-cycle mid-infrared pulses from an optical parametric amplifier," *Opt. Lett.* 36, 2755 (2011).
29. V. Petrov, "Parametric down-conversion devices: The coverage of the mid-infrared spectral range by solid-state laser sources," *Opt. Materials* 34, 536 (2012).
30. P. Malevich, G. Andriukaitis, T. Flöry, A. J. Verhoeft, A. Fernández, S. Ališauskas, A. Pugžlys, A. Baltuška, L. H. Tan, C. F. Chua, and P. B. Phua, "High energy and average power femtosecond laser for driving mid-infrared optical parametric amplifiers," *Opt. Lett.* 38, 2746 (2013).
31. M. Hemmer, D. Sánchez, M. Jelínek, V. Smirnov, H. Jelinkova, V. Kubeček, and J. Biegert, "2- μm wavelength, high-energy Ho:YLF chirped-pulse amplifier for mid-infrared OPCPA," *Opt. Lett.* 40, 451 (2015).
32. L. von Grafenstein, M. Bock, U. Griebner, and T. Elsaesser, "High-energy multi-kilohertz Ho-doped regenerative amplifiers around 2 μm ," *Opt. Express* 23, 14744 (2015).
33. H. Fonnum, E. Lippert, M. W. Haakestad, "550 mJ Q-switched cryogenic Ho:YLF oscillator pumped with a 100 W Tm: fiber laser," *Opt. Lett.* 38, 1884 (2013).
34. G. Arisholm, "General numerical methods for simulating second-order nonlinear interactions in birefringent media," *J. Opt. Soc. Am. B* 14, 2543 (1997).
35. I. Pupez, D. Sánchez, J. Zhang, N. Lilienfein, M. Seidel, N. Karpowicz, T. Paasch-Colberg, I. Znakovskaya, M. Pescher, W. Schweinberger, V. Pervak, E. Fill, O. Pronin, Z. Wei, F. Krausz, A. Apolonski and J. Biegert, "High-power sub-two-cycle mid-infrared pulses at 100 MHz repetition rate," *Nat. Photonics* 9, 721 (2015).
36. M. Nisoli, S. De Silvestri, and O. Svelto, "Generation of high energy 10 fs pulses by a new pulse compression technique," *Appl. Phys. Lett.* 68, 2793 (1996).
37. T. Balciunas, C. Fourcade-Dutin, G. Fan, T. Witting, A. A. Voronin, A. M. Zheltikov, F. Jerome, G. G. Paulus, A. Baltuska, and F. Benabid, "A strong-field driver in the single-cycle regime based on self-compression in a kagome fibre," *Nat. Commun.* 6, 6117 (2015).
38. M. Hemmer, M. Baudisch, A. Thai, A. Couairon, and J. Biegert, "Self-compression to sub-3-cycle duration of mid-infrared optical pulses in dielectrics," *Opt. Express* 21, 28095 (2013).